

GUSTAVSBERG/ SHOWERS

SMART, SWEET AND SIMPLE

GUSTAVSBERG
SMARTER BATHROOMS



SINCE 1825





FOR ALL DREAM SHOWERS

We are now launching a completely new range of simple-to-fit shower doors and walls in authentic Scandinavian design. And in the same way as all products from Gustavsberg, the new additions are backed by our sense for quality, form and function. A dream shower with smart and flexible solutions which, in their simplicity, provide a neat lift to any bathroom. Choose between straight or rounded shower doors and walls, in multiple dimensions, opening up a host of combinations.

With unequal-sided measurement combinations and details such as smart elevating hinges that raise the door when you open it, durable toughened glass and adjustable wall profiles that create a straight shower, even with angled walls, we can supply the perfect solution every time – even in small bathrooms. All our shower doors are reversible for right/left-hand installation, and can open both outwards and inwards

to save precious space. They are fitted with polished profiles and door handles in a stylish design.

In combination with Gustavsberg's broad range of bathroom furniture, mixers and rain shower heads, this gives you every opportunity to create a functional and attractive layout in your bathroom. Just the way you want it!



REVERSIBLE



ALL OUR SHOWER DOORS ARE REVERSIBLE FOR RIGHT/LEFT-HAND INSTALLATION, AND CAN OPEN BOTH OUTWARDS AND INWARDS WHICH HELPS SAVE PRECIOUS SPACE.

ELEVATING HINGE



THE ELEVATING HINGE IS A SMART DETAIL THAT LIFTS THE SHOWER WALLS 5 MM EVERY TIME YOU OPEN IT. THIS MINIMISES WEAR ON BOTH THE FLOOR AND THE SHOWER DOORS. A PRACTICAL FUNCTION THAT PROVIDES A SENSE OF AUTHENTIC LUXURY.

OUR SHOWER DOORS & SHOWER WALLS

Our new range features simple-to-fit shower walls and doors in authentic Scandinavian design that are easy to mix and match, making it simple to accommodate the specific requirements of any bathroom.



Round shower doors fitted in a corner
Available dimensions combinations*)
80x80 cm 80x100 cm 90x100 cm
80x90 cm 90x90 cm 100x100 cm



Square shower doors fitted in a corner
Available dimensions combinations*)
80x80 cm 80x100 cm 90x100 cm
80x90 cm 90x90 cm 100x100 cm



Square – two straight doors fitted in a line
Available dimensions*)
80 cm 90 cm 100 cm
Combine these three door dimensions as you wish.



Square shower door fitted in a niche
Available dimensions*)
80 cm 90 cm 100 cm



Square shower wall fitted in a corner
Available dimensions*)
80 cm 90 cm 100 cm



Square shower wall and Square shower door fitted in a corner
Available dimensions combinations*)
80x80 cm 80x100 cm 90x100 cm
80x90 cm 90x90 cm 100x100 cm



Square bathtub door
Available dimensions*)
70 cm 80 cm



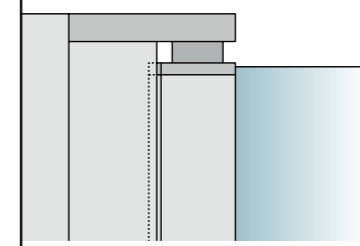
THERE IS SPACE FOR HOLES IN THE PROFILE FOR EXTERNALLY ROUTED PIPES.



SMALL DETAILS CAN MAKE A BIG DIFFERENCE. SUCH AS POLISHED PROFILES AND DOOR HANDLES IN A STYLISH DESIGN.



WITH A SENSE FOR DETAILS



THE ADJUSTABLE WALL PROFILE MEANS THAT YOU CAN BE SURE OF A STRAIGHT SHOWER EVEN IF YOUR BATHROOM HAS ANGLED WALLS. YOU CAN SUPPLEMENT THE SHOWER DOORS WITH AN EXTENSION PROFILE FOR GREATER ADJUSTABILITY.

ROUND SHOWER DOORS

DOORS THAT CAN OPEN INWARDS OR OUTWARDS SAVE VALUABLE SPACE IN THE BATHROOM



SQUARE SHOWER DOOR

THE LACK OF A FLOOR PROFILES MAKES THE SHOWERS EASY TO USE AND SIMPLE TO KEEP CLEAN. THE DOORS CLOSE WITH A TIGHTLY SEALING MAGNETIC STRIP AND FEATURE A RUBBER STRIP AGAINST THE FLOOR THAT STOPS SPLASHES.

*) For exact mm dimensions and adjustability, see the assortment pages

CHOOSE THE SOLUTION THAT SUITS YOU BEST: STRAIGHT OR ROUNDED, HINGED OR FIXED, SPACIOUS OR MINIMAL?

Installing a new shower wall requires preparation and planning because in many bathrooms, the shower corner jostles for position with the washbasin, toilet and other fittings and furnishings. In such cases, what are needed are smart and flexible solutions that take up as little space as possible. For larger bathrooms,

you can use any of the shower doors in the large, generous dimensions. Choose between straight and rounded models. Irrespective of your personal taste or how much space you have available, our shower products give you every opportunity to find a solution that matches your needs.



ROUND SHOWER DOORS



VISIT OUR WEBSITE AT
WWW.GUSTAVSBERG.COM.
WHERE YOU WILL FIND
OUR COMPLETE RANGE OF
BATHROOM PRODUCTS.



SQUARE SHOWER WALL



SQUARE SHOWER DOORS



SQUARE BATHTUB DOOR



SQUARE SHOWER DOORS



MIX AND MATCH

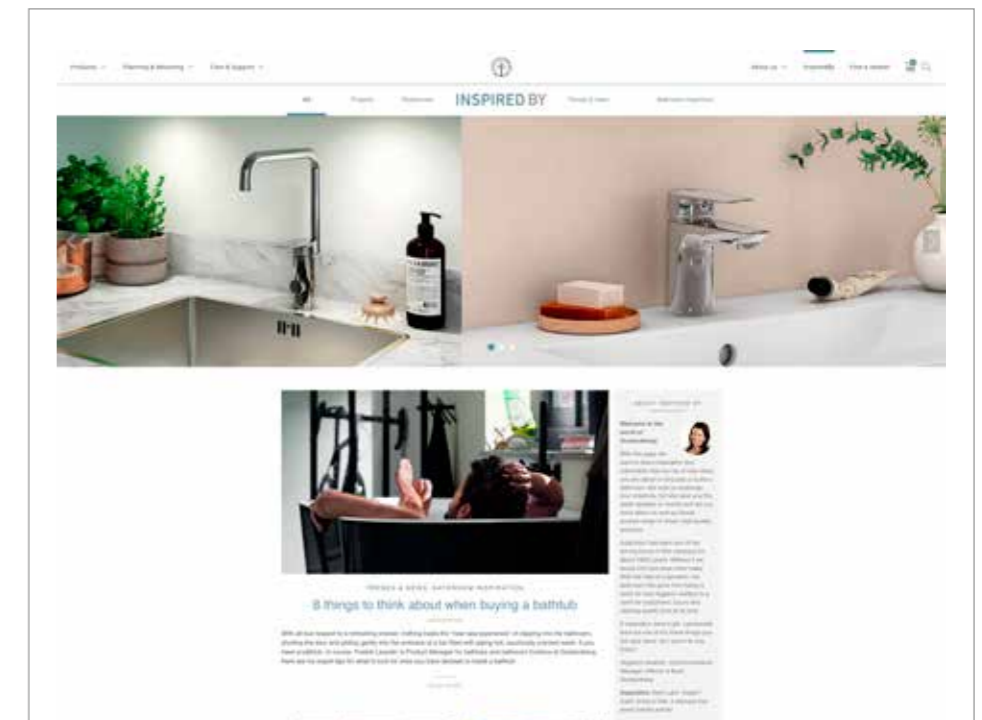
Match your new shower doors and walls with our wide range of shower mixers, shower sets and rain shower heads for a sweet, neat and functional set-up in your bathroom. No matter whether your main interest is in form, smart functions for saving water and energy or “simply” good quality, Gustavsberg lets you be price-, eco- and design-conscious at the same time.

To see our complete range, go to www.gustavsberg.com/products/faucets



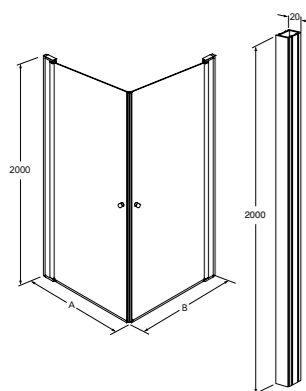
FOR TIPS & INSPIRATION

We are always happy to provide inspiration for anyone working on building or renovating a bathroom, to inform you of the latest trends and – of course – to present Gustavsberg’s comprehensive range of smart and inspiring products. Inspiration has been our driving force for more than 190 years! Without it, we wouldn’t be where we are today. Come and visit us online at: inspiredby.gustavsberg.com/en/



SQUARE SHOWER DOORS FOR CORNER FITTING

- Reversible for right/left-hand installation
- Pre-fitted door profiles for quick and simple installation
- Tempered safety glass, 6 mm
- Polished profiles and door handles
- Elevating hinges raise the door 5 mm on opening
- Adjustable wall profile, 20 mm, for a straight shower even with angled walls
- Opening angle: 180 degrees
- Unequal-sided dimension combinations possible
- Extension profile, 20 mm, as an optional extra
- No floor profiles, for a hygienic and easy-to-clean shower
- Space to drill holes for externally routed pipes



Square shower doors, 80 x 80
Consists of:

Square shower doors, 80 x 90
Consists of:

Square shower doors, 80x100
Consists of:

Square shower doors, 90x90
Consists of:

Square shower doors, 90x100
Consists of:

Square shower doors, 100x100
Consists of:

Accessories: Extension profile



Detailed dimension sketches of each of the sizes are available at www.gustavsberg.com

A x B width dimension/adjustability in mm.

790–810 x 790–810 mm
Square shower door, 80 with magnetic profile and door handle
Square shower door, 80 with magnetic profile and door handle

790–810 x 890–910 mm
Square shower door, 80 with magnetic profile and door handle
Square shower door, 90 with magnetic profile and door handle

790–810 x 990–1010 mm
Square shower door, 80 with magnetic profile and door handle
Square shower door, 100 with magnetic profile and door handle

890–910 x 890–910 mm
Square shower door, 90 with magnetic profile and door handle
Square shower door, 90 with magnetic profile and door handle

890–910 x 990–1010 mm
Square shower door, 90 with magnetic profile and door handle
Square shower door, 100 with magnetic profile and door handle

990–1010 x 990–1010 mm
Square shower door, 100 with magnetic profile and door handle
Square shower door, 100 with magnetic profile and door handle

Allows extra adjustment of width dimension by 20 mm
Possible to fit on the right- and/or left-hand side.

ART-no.

GB51SRDR8080CR
GB51SRDR80CR
GB51SRDR80CR

GB51SRDR8090CR
GB51SRDR80CR
GB51SRDR90CR

GB51SRDR8010CR
GB51SRDR80CR
GB51SRDR10CR

GB51SRDR9090CR
GB51SRDR90CR
GB51SRDR90CR

GB51SRDR9010CR
GB51SRDR90CR
GB51SRDR10CR

GB51SRDR1010CR
GB51SRDR10CR
GB51SRDR10CR

GB51ACCEXTP

SQUARE SHOWER DOORS FOR NICHE FITTING

- Reversible for right/left-hand installation
- Pre-fitted door profiles for quick and simple installation
- Tempered safety glass, 6 mm
- Polished profiles and door handles
- Elevating hinges raise the door 5 mm on opening
- Adjustable wall profile, 30 mm, for a straight shower even with angled walls
- Opening angle: 180 degrees
- Extension profile, 20 mm, as an optional extra
- Space to drill holes for externally routed pipes on the door's hinged side



Square shower door for niche, 80
Consists of:

Square shower door for niche, 90
Consists of:

Square shower door for niche, 100
Consists of:

Accessories: Extension profile



Detailed dimension sketches of each of the sizes are available at www.gustavsberg.com

A = width dimension/adjustability in mm.

796–826 mm
Square shower door, 80 with magnetic profile and door handle
Square niche profile

896–926 mm
Square shower door, 90 with magnetic profile and door handle
Square niche profile

996–1026 mm
Square shower door, 100 with magnetic profile and door handle
Square niche profile

Allows extra adjustment of width dimension by 20 mm
Possible to fit on the right- and/or left-hand side.

ART-no.

GB51SRDR80NICR
GB51SRDR80CR
GB51ACCPROF

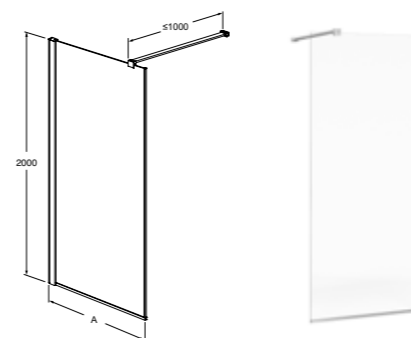
GB51SRDR90NICR
GB51SRDR90CR
GB51ACCPROF

GB51SRDR10NICR
GB51SRDR10CR
GB51ACCPROF

GB51ACCEXTP

SQUARE SHOWER WALL

- Fixed wall, can be combined with Square shower door
- Reversible for right/left-hand installation
- Tempered safety glass, 6 mm
- Polished profile and wall brace
- Adjustable wall profile, 20 mm, for a straight shower even with angled walls
- The brace can also be used as a shower curtain rod
- Space to drill holes for externally routed pipes



Square shower wall, 80
Square shower wall, 90
Square shower wall, 100
Accessories: Magnetic profile



Detailed dimension sketches of each of the sizes are available at www.gustavsberg.com

A = width dimension/adjustability in mm.

792–812 mm
892–912 mm
992–1012 mm
For combination with one Square shower door. Not size specific.

ART-no.

GB51SRWL80CR

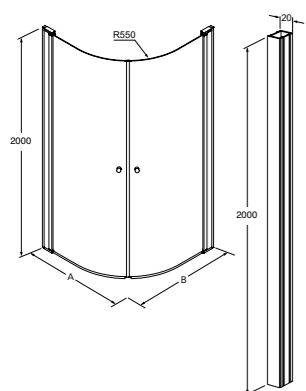
GB51SRWL90CR

GB51SRWL10CR

GB51ACCWLMAG

ROUND SHOWER DOORS FOR CORNER FITTING

- Reversible for right/left-hand installation
- Pre-fitted door profiles for quick and simple installation
- Tempered safety glass, 6 mm
- Polished profiles and door handles
- Elevating hinges raise the door 5 mm on opening
- Adjustable wall profile, 20 mm, for a straight shower even with angled walls
- Opening angle: 180 degrees
- Unequal-sided dimension combinations possible
- Extension profile, 20 mm, as an optional extra
- No floor profiles, for a hygienic and easy-to-clean shower
- Space to drill holes for externally routed pipes



Round shower doors, 80x80
Consists of:

Round shower doors, 80x90
Consists of:

Round shower doors, 80x100
Consists of:

Round shower doors, 90x90
Consists of:

Round shower doors, 90x100
Consists of:

Round shower doors, 100x100
Consists of:

Accessories: Extension profile



Detailed dimension sketches of each of the sizes are available at www.gustavsberg.com

A x B width dimension/adjustability in mm.

790–810 x 790–810 mm
Round shower door, 80 with magnetic profile and door handle
Round shower door, 80 with magnetic profile and door handle

790–810 x 890–910 mm
Round shower door, 80 with magnetic profile and door handle
Round shower door, 90 with magnetic profile and door handle

790–810 x 990–1010 mm
Round shower door, 80 with magnetic profile and door handle
Round shower door, 100 with magnetic profile and door handle

890–910 x 890–910 mm
Round shower door, 90 with magnetic profile and door handle
Round shower door, 90 with magnetic profile and door handle

890–910 x 990–1010 mm
Round shower door, 90 with magnetic profile and door handle
Round shower door, 100 with magnetic profile and door handle

990–1010 x 990–1010 mm
Round shower door, 100 with magnetic profile and door handle
Round shower door, 100 with magnetic profile and door handle

Allows extra adjustment of width dimension by 20 mm
Possible to fit on the right- and/or left-hand side.

ART-no.

GB51RDR8080CR
GB51RDR80CR
GB51RDR80CR

GB51RDR8090CR
GB51RDR80CR
GB51RDR90CR

GB51RDR8010CR
GB51RDR80CR
GB51RDR10CR

GB51RDR9090CR
GB51RDR90CR
GB51RDR90CR

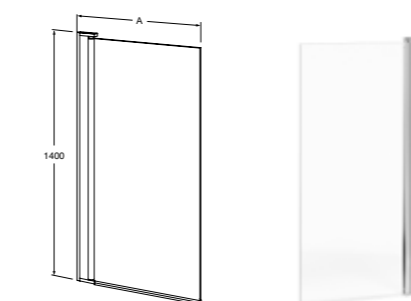
GB51RDR9010CR
GB51RDR90CR
GB51RDR10CR

GB51RDR1010CR
GB51RDR10CR
GB51RDR10CR

GB51ACCEXTP

SQUARE BATHTUB DOOR

- Reversible for right/left-hand installation
- Tempered safety glass, 6 mm
- Polished profile
- Elevating hinges that raise the door 5 mm on opening
- Adjustable wall profile, 20 mm, for a straight shower even with angled walls
- Opening angle, 180 degrees



Square bathtub door, 70
Square bathtub door, 80



Detailed dimension sketches of each of the sizes are available at www.gustavsberg.com

A = width dimension/adjustability in mm.

690–710 mm
790–810 mm

ART-no.

GB51SRBD70CR

GB51SRBD80CR

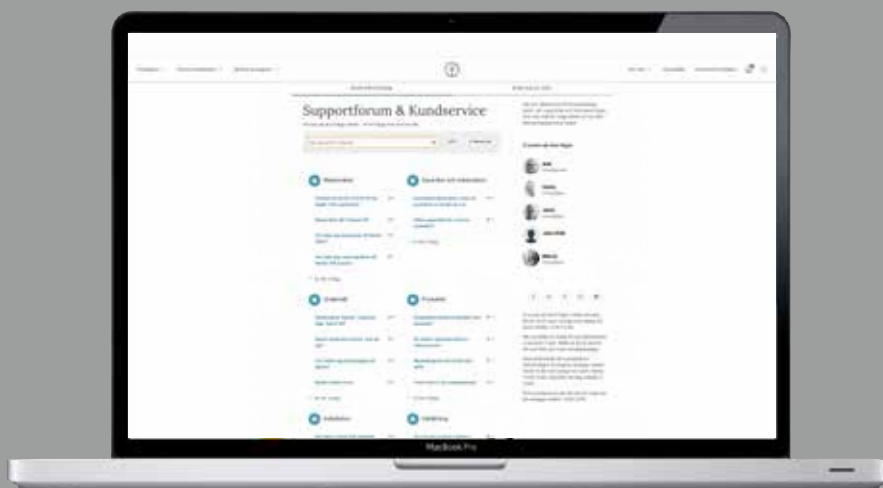
THE FULL RANGE

Visit our website at www.gustavsberg.com, where you will find our complete range of bathroom products. On the site, you can also download the brochure containing our entire range – Products & Prices – as a PDF.



SUPPORT AND SERVICE

Our website also contains manuals and instruction videos, as well as tips and hints to help you use and care for your Gustavsberg products. Welcome to www.gustavsberg.com



A MEMBER OF THE
VILLEROY & BOCH GROUP

VilleroY & Boch Gustavsberg AB
P. O. Box 400, SE-134 29 Gustavsberg
Phone +46 8 570 391 00
www.gustavsberg.com info@gustavsberg.com