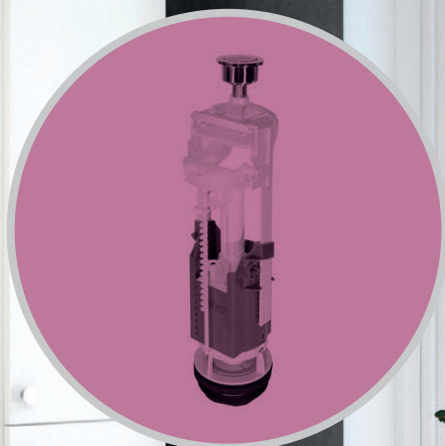




RESERVEDELSLISTE

GUSTAVSBERG 2023





VILLEROY & BOCH NORGE AS

HOVEDKONTOR

Fakturaadresse: Postboks 13, 1471 Lørenskog
Besøksadresse: Luhrtoppen 2, 1470 Lørenskog
Tlf. 67 97 82 50
E-post: norway.info@villeroy-boch.com

ORDRE/BESTILLING

E-post: orders.norway@villeroy-boch.com

REKLAMASJON

E-post: reklamasjoner.no@villeroy-boch.com

FAKTURA

E-Post: invoices.nordics@villeroy-boch.com

KUNDESERVICE, ordre og support

Minka Sehic, tlf. 67 97 82 50, sehic.minka@villeroy-boch.com

Torbjørn Hansen, tlf. 67 97 82 50, torbjorn.hansen@villeroy-boch.com

Kirsten Dahl, tlf. 67 97 82 50, kirsten.dahl@villeroy-boch.com

TEKNISK SERVICE, reklamasjoner, reservedeler og support

Marius Henriksen, prosjektkoordinator og teknisk support, tlf.dir. 67 97 82 50, mobil 97 73 00 02,
marius.henriksen@villeroy-boch.com

Torbjørn Hansen, teknisk support. tlf.dir. 67 97 82 50, mobil 46 81 99 51, torbjorn.hansen@villeroy-boch.com

SALG Gustavsberg og Villeroy & Boch

Oslo, Viken (Akershus, Østfold), Innlandet (Oppland, Hedemark)
Erik Hansen, mobil 95 82 53 35, erik.hansen@villeroy-boch.com

Innlandet (Oppland vest), Viken (Buskerud), Vestfold & Telemark og Agder
Anita Irene Hagh, mobil 46 87 97 90, anita.hagh@villeroy-boch.com

Vestland (Hordaland, Sogn og Fjordane), Møre og Romsdal, Nord Rogaland t.o.m Karmøy
Jan-Henrik Olsnes, mobil 90 81 34 74

Nord Øst Møre og Romsdal, Trøndelag, Nordland, Troms og finnmark
Thor Johan Aar, mobil 97 97 00 01, thorjohan.aar@villeroy-boch.com

ØKONOMI OG ADMINISTRASJON, MARKED

Christian Mjaaseth , Administrerende Direktør , mobil 99 58 99 36, christian.mjaaseth@villeroy-boch.com

Mai Randi Havnø, tlf.dir. 67 97 82 50, mobil 95 11 08 97, mairandi.havno@villeroy-boch.com

Bjørn Fredricson, Sales og Marketing Manager, mobil 90 91 51 71, bjorn.fredricson@villeroy-boch.com

Suzi Andresen, tlf. 67 97 82 50, mobil 98 64 56 54, suzi.andresen@villeroy-boch.com



Indeks	2
Toalettseter	11
Barnetoalettsete	13
Care Basic	13
Tilleggsutstyr toaletter	13
Reservedeler	14
Utløpstuter Bunnventiler Anslutningskoplinger Eksenterkoplinger Veggfester	14
Reservedeler sanitærporselen	16
Reservedeler møbler og deler	58
Reservedeler badekar	70
Reservedeler Dusj	72
Reservedeler armatur	100

Alle priser er veiledende. Vi tar forbehold om endringer og eventuelle trykkfeil.



NRF. NR.	ART. NR.	SIDE	NRF. NR.	ART. NR.	SIDE	NRF. NR.	ART. NR.	SIDE	
434065	GB41635633	02	109	4342716	GB41638450	145, 151, 157,	4342793	GB41639097 01	129
434241	GB41630131	01	105			159, 161, 163	4342804	GB41639441	171, 173
4340418	GB41639801	01	121, 145	4342717	GB41637387 01	101, 107, 109,	4342809	GB41639512	173
4340711	GB41638521	01	153			111, 113, 155, 175	4342811	GB41630151	14, 119
4340713	GB41634157		157	4342718	GB41637389 02	155	4342812	GB41639921 02	175
4340713	GB41634157 01	131, 153, 161, 163		4342719	GB41637393	121, 123, 125, 133,	4342815	GB41630191	14, 119
4340714	GB41637575	121, 129, 131, 133,				145, 149, 151, 155, 159	4342819	GB41630194	14, 119
		135, 143, 155, 167		4342721	GB41637406	155	4342868	GB41633614	14, 101, 103, 105,
4340715	GB41632834	131, 157		4342722	GB41637407	155			107, 113, 117, 119
4340718	GB41638453 01	129, 131		4342723	GB41637410	111, 155	4342877	GB41633632	14, 101, 103, 105,
4341952	GB41632814 02	103, 105, 117		4342724	GB41637415	155			107, 113, 117, 119
4341953	GB41634577	103, 105, 119		4342725	GB41637416	111, 155	4342878	GB41633633	14, 101, 103, 105,
4341954	GB41633784	103, 105, 119		4342726	GB41638334 01	101, 103, 105,			107, 113, 117, 119
4341955	GB41635633 10	103, 105, 107,				107, 109, 111, 175	4342879	GB41633631	14, 101, 103, 105,
		109, 111		4342731	GB41638375 01	157, 163			107, 113, 117, 119
4341957	GB41638336 01	103, 175		4342732	GB41638374 01	157, 163	4342905	GB41636820	14
4341958	GB41632815	103, 105, 117, 119		4342735	GB41637363 01	113, 131, 157	4342911	GB41634610	163
4341959	GB41638339 01	101, 103, 105,		4342751	GB41637282 01	131, 139	4342917	GB41635270	14
		107, 109, 117		4342752	GB41638202	131, 153, 157	4342926	GB41637418	155
4341962	GB41634757 01	101, 103, 105, 107,		4342753	GB41637261 01	107, 113, 129, 131,	4342933	GB41638464	169
		109, 113, 117, 119, 175				135, 153, 157, 161	4342934	GB41638465	169
4341963	GB41636577 01	101, 103, 105, 107,		4342754	GB41633972 101,	103, 105, 107, 113,	4342935	GB41638466	169
		113, 117, 119, 175				131, 153, 157, 163	4342936	GB41638467	169
4342624	GB41630184	113, 119		4342755	GB41633952 01	101, 103, 105, 107,	4342937	GB41638468	169
4342625	GB41633616	14, 101, 103, 105,				113, 117, 119	4342941	GB41638472	169
		107, 113, 117, 119		4342756	GB41638726 01	167	4342942	GB41638457	14
4342626	GB41633624	14, 117		4342757	GB41638725 01	167	4342969	FG0640560	165
4342627	GB41637360 01	15, 113, 131, 157		4342758	GB41636266 00	171	4342975	GB41630197	14, 119
4342632	GB41636424 01	14		4342759	GB41638727 02	167	4342977	GB41630196	14, 119
4342633	GB41637161 02	14, 129, 131, 135,		4342761	GB41638728 01	167	4342991	GB41635430 01	119, 143, 163
		143, 153, 157, 161, 163		4342762	GB41637562	169	4342994	GB41103017 23	15
4342634	GB41637315	14, 117		4342766	GB41638514 01	107, 135, 161	4343054	GB41636575 01	14, 121, 131, 137
4342635	GB41637804 01	15, 103, 117		4342767	GB41638549 01	135, 147, 153, 161	4343055	GB41630305	14, 125, 131
4342636	GB41637810 01	15, 117		4342768	GB41638220 01	131, 135, 147, 153,	4343059	GB41635678 8701	119, 143, 163
4342637	GB41637840 02	15, 103, 117, 175				157, 161, 163	4343061	GB41636479 01	117
4342638	GB41637450	14, 125, 131, 143		4342769	GB41638224 01	129, 135, 143	4343062	GB41636480 01	117
4342639	FG079805705	14		4342771	GB41638199 01	131, 135, 157, 163	4343065	GB41635633 02	101, 103, 105,
4342641	GB41635944 01	14		4342772	GB41636457 01	129, 135, 139,			107, 111, 117, 175
4342643	GB41637164 02	14				141, 143	4343071	FG0115080	14
4342651	GB41637453	131, 143		4342773	GB41638560 01	139, 141	4343076	FG0115050	14
4342653	GB41637445	14, 121, 129, 131, 133		4342774	GB41638544 01	139	4343084	FG0640835	165
4342659	GB41637010 01	123, 145, 151, 157,		4342775	GB41636629 01	127, 139, 141,	4343085	FG0640836	165
		159, 161, 163				147, 149	4343096	GB41632698 02	101, 103, 105,
4342661	GB41634828 01	113, 119, 129, 131,		4342776	GB41637326 0	145, 157, 163			107, 109, 111, 113, 117, 175
		135, 143, 153, 157, 161, 163		4342779	GB41638281 01	111	4343102	FG0115061	14
4342669	GB41635680 01	143, 163		4342781	GB41638760	14	4343103	FG0115062	14
4342675	GB41636437 01	163		4342782	GB41638283 01	111	4343115	GB41631765 02	14
4342676	GB41637337 01	163		4342783	GB41638287 01	111	4343121	GB41633860 33	121, 129, 131, 133,
4342684	GB41636465 01	111, 117		4342784	GB41639440	171, 173			135, 143, 155, 157, 163
4342685	GB41636460 01	111, 117		4342785	GB41638530 01	107	4343123	GB41634555 01	101, 103, 105, 107,
4342686	FG0640841	165		4342786	GB41638525 01	107			113, 117, 119, 175
4342692	GB41634078 01	117		4342787	GB41638545 01	107	4343124	GB41634799 0001	117, 119
4342713	GB41637270 01	125, 131, 143		4342788	GB41638542 01	107	4343126	GB41636326 01	119, 143, 163
4342714	GB41638358 01	155		4342789	GB41639080 01	101	4343127	GB41636337 01	143
4342715	GB41638361 02	155		4342791	GB41639062 01	153	4343166	GB41634470 01	119, 143, 163
				4342792	GB41637352 01	107, 153	4343175	GB41636440 01	163



NRF. NR.	ART. NR.	SIDE	NRF. NR.	ART. NR.	SIDE	NRF. NR.	ART. NR.	SIDE
4343177	GB41633858	157	5080123	FG032033520	155	6025513	GB1919901610	13, 41, 43
4343188	GB41635762	3301 131, 135, 153, 157, 161, 163	6020278	GB41636575 25	137	6025514	GB1919901960	12
4343189	GB41635790 01	14, 131, 145, 157, 163	6020279	GB41636575 23	137	6025517	9M016101	11, 39
4343196	GB41633877 01	119, 143, 163	6020281	GB41636575 41	137	6025518	8M56S101	12, 31, 33, 35
4343209	GB41633861 25	157, 163	6023008	GB1921100398	53	6025557	GB1929900344	41, 43
4343211	GB41633513 01	119, 143, 163	6023009	GB192990NNV36	17	6025603	GB192990102	19
4343213	GB41633971 02	131, 153, 155, 157, 163	6023033	92242001	25	6025606	GB192990106	19, 21
4343216	GB41632731 02	119, 163	6024312	GB184700S11200	31	6025611	GB88305101	13
4343217	GB41636302 02	143	6024313	GB18830033200	23	6025614	GB192990112	19
4343218	GB41632952	157	6024327	GB1042060101	45	6025615	GB192990113	19
4343218	GB41632952 01	163	6024339	GB1042640101	41	6025616	GB192990114	19
4343241	GB41630131 01	101, 103, 107, 113, 117, 119, 121, 131, 133, 143, 155, 157, 163	6024346	GB1042900101	33, 35	6025616	GB192990114	21
4343242	GB41630129 01	113, 119, 123, 145, 151, 157, 159, 163	6024962	GB19299K1931	31	6025619	GB185580001200	17, 19
4343271	GB41633505 01	165	6024964	GB19299T2800	43	6025622	92226100	17, 19, 21, 23, 25
4343272	GB41633506 01	165	6024965	8193B901	39	6025626	GB1921100394	51, 53
4343273	FG0640548	165	6024976	GB1929900338	43	6025627	GB1921100395	53
4343275	FG0640782	165	6025351	GB1921101171	55	6025631	GB1919901845	39
4343286	GB41633510 01	165	6025404	9M11S136	11, 39	6025633	GB1929900365	17, 27, 29, 31, 33, 35, 39, 45, 47
4343314	GB41634035 01	101, 103, 105, 117	6025405	GB1919902065	13	6025633	GB1929900365	21
4343319	GB41637280 01	131, 143, 155	6025406	GB1919900910	13, 45	6025634	GB1929900168	31, 39
4343335	GB41634210	14, 113, 117, 119	6025407	GB1919901286	13, 45	6025636	GB88305500	13
4343336	GB41634719 01	165	6025408	GB1929900227	12, 47	6025637	GB88305501	13
4343337	GB41632863 01	143	6025411	GB1929900226	12, 47	6025638	GB1921100396	53
4343341	GB43000014 10	129, 131, 135, 139, 141, 143, 153, 155, 157, 161, 163	6025412	GB1919901702	12, 33, 35	6025639	GB1921100397	53
4343344	GB41632625 01	131, 143	6025414	GB1919901950	33, 35	6025663	GB8830701001	13
4343347	GB41636617 01	119, 143, 163	6025415	GB1919901900	12, 47	6025665	GB1921100390	53
4343353	GB41636246 01	163	6025419	GB1919901601	13, 41, 43	6025666	GB1921100391	53
4343358	GB41636654 01	143	6025425	9M246101	11, 17, 19	6025667	GB1921100392	51, 53
4343359	GB41636912 01	143	6025426	9M256101	11, 17, 25	6025668	GB1921100393	53
4343362	GB41636359 01	101, 103, 105, 107, 109, 113, 117, 119, 175	6025427	9M26S101	11, 17, 19, 25	6025669	GB19299NV036	19
4343363	GB41634756 01	101, 103, 105, 107, 113, 119, 175	6025428	9M26S136	11, 17, 19, 25	6025673	GB1921100388	51, 53
4343366	GB41637250	15, 113, 131, 157	6025429	GB88306001	13	6025675	GB1929900503	17, 19, 21, 23, 25, 27, 31, 33, 35, 37, 39, 41, 43, 47
4343367	GB41637267 01	113, 129, 131, 135, 153, 157, 161	6025431	GB88306004	13	6025677	92242400	17
4343368	GB41637347	101, 103, 105, 107, 113, 117, 175	6025432	GB88306015	13	6025686	GB1929901545	33, 43
4343369	GB43000021 01	131, 135, 143, 155, 157, 161, 163	6025434	GB88306036	13	6025689	92242500	17, 19
4343801	GB41636254 00	167	6025445	9M38S101	11	6025705	GB88305100	13
4343802	GB41636255 00	167	6025456	9M464101	11, 27, 29	6025727	GB1921101191	55
4343803	GB41636261 00	167	6025459	9M10S101	11, 21, 23	6025729	GB1921101178	55
4343804	GB41636263 00	121, 129, 131, 133, 135, 143, 155, 157, 163	6025461	9M10S136	21, 23	6025733	GB1921101194	55
4343805	GB41636264 44	167	6025463	9M106101	11, 21, 23	6025737	GB1921102010	55
4343811	GB41636266 00	167, 169, 173	6025464	9M09S101	11, 57	6025738	GB1921102011	55
4346741	GB41636447 01	143, 163	6025465	9M09S136	57	6025746	GB19299P0109	19
5080086	FG032033420	157, 163	6025466	9M09S153	11	6025747	GB19299P0111	19
5080093	FG032033520	131, 157, 163	6025467	9M096101	11	6025748	GB19299P0108	19
			6025469	9M676101	11	6025749	GB19299P0110	19
			6025471	8780S101	11, 27, 29	6025752	GB1921100111	51, 53, 55
			6025473	9M10S1RW	21, 23	6025755	GB1929900278	33
			6025475	8780S801	11	6025756	GB1042980101	33
			6025476	8780G801	11	6025798	GB19299KT959	31
			6025477	9M648101	11	6025803	GB1921100095	55
			6025478	8M45S101	11, 17, 19, 25	6025808	GB19299T1951	31, 35, 41
			6025483	9M09S133	11, 57	6025812	GB19299TK962	19, 27, 31, 35, 37, 39, 41
			6025484	9M10S133	11, 21, 23	6025812	GB19299TK962	21
			6025508	9M16S101	12, 37, 57			
			6025509	9M16S136	12, 37, 57			
			6025511	9M11S101	11, 39			



NRF. NR.	ART. NR.	SIDE	NRF. NR.	ART. NR.	SIDE	NRF. NR.	ART. NR.	SIDE
6025816	GB19299K1951	31	6025986	9GN00561	17	6096503	GB1919902002	13, 31
6025833	GB1929903410	17, 19, 25, 27, 31, 39	6025987	9GN01161	17	6195241	GB19299M2937	33, 43
6025838	GB1919901834	31	6025988	9GN00661	17	6195242	9GN00210	27, 29, 31, 33, 35, 37, 39, 41, 43, 47
6025839	GB19299U1931	35	6025994	9GN01000	17, 23, 25	6195243	GB19299N0105	19, 21
6025842	GB1923100802	71	6025995	9GN00400	17, 23, 25, 31	6195244	GB19299P0204	27, 29
6025845	GB1929900347	33, 43, 47	6025996	GB19299N0100	17, 19, 21, 23, 25	6301637	UDWDOORKNOBW-61	83, 85, 87, 89, 91, 93, 95, 97
6025846	GB1929900356	41, 43	6026024	87569961	23, 25	6301993	GB41634002	14
6025847	GB1929900381	37, 41, 43	6026025	9GN016D7	23, 25	7031029	GB41636575 01	133
6025848	GB1929901244	47	6026031	92241361	19	50800093	FG032033520	135
6025856	GB1921100081	55	6026032	92241461	19			
6025857	GB1921100082	55	6026033	92242001	17, 19			
6025858	GB1921100083	55	6026034	92242400	25			
6025861	GB1921100094	55	6026035	9GS01561	29, 33, 35, 37, 39, 41			
6025862	GB1921100098	55	6026037	GB19299N2953	31, 33, 35, 37, 39, 41			
6025863	GB1921100099	55	6026038	9GS01400	27, 29			
6025865	GB1921100122	55	6026201	GB1929900211	47, 49			
6025871	GB1921100110	55	6026212	GB1929900260	33, 47, 49			
6025873	GB1921100114	55	6026221	GB1929900291	47, 49			
6025874	GB1921100115	55	6026244	GB1929900228	47			
6025877	GB1921100118	55	6026247	GB1929900229	47			
6025882	GB19299T2951	31, 35, 37, 39, 41	6026262	GB1929900233	47			
6025883	GB19299T2952	31	6026266	GB1929900058	33, 35			
6025895	GB19299P0206	27, 31, 33, 35, 37, 39, 41, 43, 45, 47	6026282	GB1929900330	47			
6025896	GB1929901974	31, 33, 35, 45, 47	6026366	GB1929900208	47			
6025901	GB1929900500	37	6026373	GB1929900209	33, 43, 47			
6025904	GB1929900504	37	6026389	GB1929900324	33			
6025905	GB1929900505	37	6026411	GB1929900236	45, 47, 49			
6025922	GB1929900332	47, 49	6026414	GB1929900237	45, 47, 49			
6025923	GB1929900239	47, 49	6026421	GB1929900238	45, 47, 49			
6025924	GB1929900506	39	6026511	GB1929901453	45			
6025943	GB1921100370	51, 53	6026515	9M010161	39			
6025944	GB1921100371	51, 53	6026518	GB1919901830	47			
6025945	GB1921100372	51, 53, 55	6026519	GB1919901831	33, 35			
6025946	GB1921100373	51, 53, 55	6026525	GB1929900217	45, 47, 49			
6025947	GB1921100375	51, 53	6026527	GB1929900319	31, 33, 35, 39			
6025949	GB1921100377	51	6026541	GB1929900216	47, 49			
6025951	GB1921100378	51	6026545	GB1929900316	45			
6025952	GB1921100379	51	6026555	GB1929900320	31, 33, 35			
6025953	GB1921100380	51, 53, 55	6026581	GB1929900282	33, 43, 47			
6025954	GB1921100381	51, 53, 55	6026591	GB1929900283	33			
6025955	GB1921100382	51, 53	6026592	GB1929900361	33			
6025956	GB1921100383	51, 53	6026772	9GN01761	27, 29, 33, 35, 37, 39, 41			
6025957	GB1921100384	51, 53	6030129	GB2929900175	71			
6025958	GB1921100385	51, 55	6030157	GB2929900110	71			
6025959	GB1921100386	51, 53, 55	6030552	GB2929970004	71			
6025961	GB1921100387	51	6030553	GB2929900174	71			
6025962	92213161	21	6031715	GB2929900228	71			
6025963	92213261	21	6031722	GB2924300155	71			
6025964	92212261	57	6031723	GB2924300156	71			
6025965	92213061	57	6031735	GB2929970001	71			
6025966	92213300	21, 57	6031736	GB2929970002	71			
6025983	9GN00100	17, 23, 25	6031737	GB2929970003	71			
6025984	9GN00200	17, 23, 25	6031865	GB2929900115	71			
6025985	9GN00300	17, 19, 23, 25, 27, 29, 31, 33, 35, 39, 41, 43, 47	6031935	GB2929900172	71			
			6087566	87110000	37			
			6096502	8780G101	11, 27, 29			



ART. NR.	NRF. NR.	SIDE	ART. NR.	NRF. NR.	SIDE	ART. NR.	NRF. NR.	SIDE
8193B901	6024965	39	9GS01561	6026035	29, 33, 35,	GB185580001200	6025619	17, 19
87110000	6087566	37			37, 39, 41	GB186T01001200		25
87569961	6026024	23, 25	9GS01700		29, 35, 37, 39, 41	GB186T02001200		25
8780G101	6096502	11, 27, 29	9M010161	6026515	39	GB186T03001200		25
8780G801	6025476	11	9M016101	6025517	11, 39	GB18830001200		21, 23
8780S101	6025471	11, 27, 29	9M096101	6025467	11	GB18830033200	6024313	23
8780S801	6025475	11	9M09S101	6025464	11, 57	GB18830036200		23
8M45S101	6025478	11, 17, 19, 25	9M09S133	6025483	11, 57	GB18830036200		21
8M56S101	6025518	12, 31, 33, 35	9M09S136	6025465	57	GB18830041200		21, 23
92095761		17, 25	9M09S153	6025466	11	GB1919900910	6025406	13, 45
92096361		17, 25	9M106101	6025463	11, 21, 23	GB1919901286	6025407	13, 45
92185901		57	9M10S101	6025459	11, 21, 23	GB1919901601	6025419	13, 41, 43
92209800		13	9M10S133	6025484	11, 21, 23	GB1919901610	6025513	13, 41, 43
92211761		27, 29	9M10S136	6025461	21, 23	GB1919901702	6025412	12, 33, 35
92212261	6025964	57	9M10S1RW	6025473	21, 23	GB1919901830	6026518	47
92213061	6025965	57	9M11S101	6025511	11, 39	GB1919901831	6026519	33, 35
92213161		23	9M11S136	6025404	11, 39	GB1919901834	6025838	31
92213161	6025962	21	9M16S101	6025508	12, 37, 57	GB1919901840		31
92213261		23	9M16S136	6025509	12, 37, 57	GB1919901841		31
92213261	6025963	21	9M246101	6025425	11, 17, 19	GB1919901845	6025631	39
92213300		23	9M256101	6025426	11, 17, 25	GB1919901900	6025415	12, 47
92213300	6025966	21, 57	9M26S101	6025427	11, 17, 19, 25	GB1919901950	6025414	33, 35
92213400		21, 23	9M26S136	6025428	11, 17, 19, 25	GB1919901960	6025514	12
92214501		21, 23, 25	9M38S101	6025445	11	GB1919902002	6096503	13, 31
92223561		37, 57	9M646101	6025456	11, 27, 29	GB1919902065	6025405	13
92226100	6025622	17, 19,	9M648101	6025477	11	GB1921100081	6025856	55
		21, 23, 25	9M676101	6025469	11	GB1921100082	6025857	55
92226300		57	B0017100		59	GB1921100083	6025858	55
92236800		57	B0017200		59	GB1921100094	6025861	55
92237061		57	B0017300		59	GB1921100095	6025803	55
92241361	6026031	19	B0017400		59	GB1921100098	6025862	55
92241461	6026032	19	B00177E4		59	GB1921100099	6025863	55
92241761		37, 57	B00177E9		59	GB1921100110	6025871	55
92241961		27	B00178E4		59	GB1921100111	6025752	51, 53, 55
92242001	6023033	25	B00178E9		59	GB1921100114	6025873	55
92242001	6026033	17, 19	B0017900		59	GB1921100115	6025874	55
92242201		37	B0290061		59	GB1921100118	6025877	55
92242400	6025677	17	FG0115050	4343076	14	GB1921100122	6025865	55
92242400	6026034	25	FG0115061	4343102	14	GB1921100369		51, 55
92242500	6025689	17, 19	FG0115062	4343103	14	GB1921100370	6025943	51, 53
92246700		59	FG0115080	4343071	14	GB1921100371	6025944	51, 53
98895101		57	FG032033420	5080086	157, 163	GB1921100372	6025945	51, 53, 55
98895136		37, 57	FG032033520	5080093	131, 157, 163	GB1921100373	6025946	51, 53, 55
9GN00100	6025983	17, 23, 25	FG032033520	5080123	155	GB1921100375	6025947	51, 53
9GN00200	6025984	17, 23, 25	FG032033520	50800093	135	GB1921100377	6025949	51
9GN00210	6195242	27, 29, 31, 33,	FG0640548	4343273	165	GB1921100378	6025951	51
		35, 37, 39, 41, 43, 47	FG0640560	4342969	165	GB1921100379	6025952	51
9GN00300	6025985	17, 19, 23, 25,	FG0640782	4343275	165	GB1921100380	6025953	51, 53, 55
		27, 29, 31, 33, 35, 39, 41, 43, 47	FG0640835	4343084	165	GB1921100381	6025954	51, 53, 55
9GN00400	6025995	17, 23, 25, 31	FG0640836	4343085	165	GB1921100382	6025955	51, 53
9GN00561	6025986	17	FG0640841	4342686	165	GB1921100383	6025956	51, 53
9GN00661	6025988	17	FG079805705	4342639	14	GB1921100384	6025957	51, 53
9GN01000	6025994	17, 23, 25	FG0901201		159	GB1921100385	6025958	51, 55
9GN01161	6025987	17	GB1042060101	6024327	45	GB1921100386	6025959	51, 53, 55
9GN016D7	6026025	23, 25	GB1042640101	6024339	41	GB1921100387	6025961	51
9GN01761	6026772	27, 29, 33, 35,	GB1042900101	6024346	33, 35	GB1921100388	6025673	51, 53
		37, 39, 41	GB1042980101	6025756	33	GB1921100389		51
9GS01400	6026038	27, 29	GB184700001200		27, 29	GB1921100390	6025665	53
			GB184700S11200	6024312	31	GB1921100391	6025666	53



ART. NR.	NRF. NR.	SIDE	ART. NR.	NRF. NR.	SIDE	ART. NR.	NRF. NR.	SIDE
GB1921100392	6025667	51, 53	GB1929900506	6025924	39	GB2929970003	6031737	71
GB1921100393	6025668	53	GB1929901244	6025848	47	GB2929970004	6030552	71
GB1921100394	6025626	51, 53	GB1929901453	6026511	45	GB2929970005		71
GB1921100395	6025627	53	GB1929901545	6025686	33, 43	GB41103017 23	4342994	15
GB1921100396	6025638	53	GB1929901974	6025896	31, 33, 35,	GB41215302		175
GB1921100397	6025639	53			45, 47	GB41215602		175
GB1921100398	6023008	53	GB1929903410	6025833	17, 19, 25,	GB41218302		175
GB1921100399		51			27, 31, 39	GB41218302 53		175
GB1921101171	6025351	55	GB19299K1931	6024962	31	GB41630129 01	4343242	113, 119, 123,
GB1921101178	6025729	55	GB19299K1951	6025816	31		145, 151, 157, 159, 163	
GB1921101191	6025727	55	GB19299KT959	6025798	31	GB41630131 01	434241	105
GB1921101194	6025733	55	GB19299M2937	6195241	33, 43	GB41630131 01	4343241	101, 103, 107,
GB1921102010	6025737	55	GB19299N0100	6025996	17, 19, 21,	113, 117, 119, 121, 131, 133, 143, 155, 157, 163		
GB1921102011	6025738	55			23, 25	GB41630151	4342811	14, 119
GB1923100802	6025842	71	GB19299N0105	6195243	19, 21	GB41630184	4342624	113, 119
GB1929900058	6026266	33, 35	GB19299N2951		31, 35, 37, 39, 41	GB41630191	4342815	14, 119
GB1929900168	6025634	31, 39	GB19299N2953	6026037	31, 33, 35,	GB41630194	4342819	14, 119
GB1929900208	6026366	47			37, 39, 41	GB41630196	4342977	14, 119
GB1929900209	6026373	33, 43, 47	GB19299NNV36	6023009	17	GB41630197	4342975	14, 119
GB1929900211	6026201	47, 49	GB19299NV036	6025669	19	GB41630305	4343055	14, 125, 131
GB1929900216	6026541	47, 49	GB19299P0102	6025603	19	GB41631765 02	4343115	14
GB1929900217	6026525	45, 47, 49	GB19299P0106	6025606	19, 21	GB41631830		103, 105, 117
GB1929900226	6025411	12, 47	GB19299P0108	6025748	19	GB41632625 01	4343344	131, 143
GB1929900227	6025408	12, 47	GB19299P0109	6025746	19	GB41632698 02	4343096	101, 103, 105,
GB1929900228	6026244	47	GB19299P0110	6025749	19		107, 109, 111, 113, 117, 175	
GB1929900229	6026247	47	GB19299P0111	6025747	19	GB41632731 02	4343216	119, 163
GB1929900233	6026262	47	GB19299P0112	6025614	19	GB41632814 02	4341952	103, 105, 117
GB1929900236	6026411	45, 47, 49	GB19299P0113	6025615	19	GB41632815	4341958	103, 105,
GB1929900237	6026414	45, 47, 49	GB19299P0114	6025616	19		117, 119	
GB1929900238	6026421	45, 47, 49	GB19299P0114	6025616	21	GB41632834	4340715	131, 157
GB1929900239	6025923	47, 49	GB19299P0201		27	GB41632863 01	4343337	143
GB1929900245		43, 45	GB19299P0204	6195244	27, 29	GB41632936		119
GB1929900260	6026212	33, 47, 49	GB19299P0206	6025895	27, 31, 33, 35,	GB41632952	4343218	157
GB1929900278	6025755	33			37, 39, 41, 43, 45, 47	GB41632952 01	4343218	163
GB1929900282	6026581	33, 43, 47	GB19299P0207		27, 29	GB41633505 01	4343271	165
GB1929900283	6026591	33	GB19299P0210		19	GB41633506 01	4343272	165
GB1929900291	6026221	47, 49	GB19299P0801		21	GB41633510 01	4343286	165
GB1929900316	6026545	45	GB19299P0802		21	GB41633513 01	4343211	119, 143, 163
GB1929900319	6026527	31, 33, 35, 39	GB19299S3951		29, 33	GB41633614	4342868	14, 101, 103,
GB1929900320	6026555	31, 33, 35	GB19299S3953		29		105, 107, 113, 117, 119	
GB1929900324	6026389	33	GB19299T1951	6025808	31, 35, 41	GB41633616	4342625	14, 101, 103,
GB1929900330	6026282	47	GB19299T2800	6024964	43		105, 107, 113, 117, 119	
GB1929900332	6025922	47, 49	GB19299T2951	6025882	31, 35, 37,	GB41633624	4342626	14, 117
GB1929900338	6024976	43			39, 41	GB41633631	4342879	14, 101, 103,
GB1929900344	6025557	41, 43	GB19299T2952	6025883	31		105, 107, 113, 117, 119	
GB1929900347	6025845	33, 43, 47	GB19299TK962	6025812	19, 27, 31, 35,	GB41633632	4342877	14, 101, 103,
GB1929900356	6025846	41, 43			37, 39, 41		105, 107, 113, 117, 119	
GB1929900361	6026592	33	GB19299TK962	6025812	21	GB41633633	4342878	14, 101, 103,
GB1929900365	6025633	17, 27, 29, 31,	GB19299U1931	6025839	35		105, 107, 113, 117, 119	
		33, 35, 39, 45, 47	GB2924300155	6031722	71	GB41633644		119
GB1929900365	6025633	21	GB2924300156	6031723	71	GB41633646		119
GB1929900381	6025847	37, 41, 43	GB2929900110	6030157	71	GB41633784	4341954	103, 105, 119
GB1929900388		33, 35	GB2929900115	6031865	71	GB41633858	4343177	157
GB1929900500	6025901	37	GB2929900172	6031935	71	GB41633860 33	4343121	121, 129, 131,
GB1929900503		29	GB2929900174	6030553	71		133, 135, 143, 155, 157, 163	
GB1929900503	6025675	17, 19, 21, 23,	GB2929900175	6030129	71	GB41633861 25	4343209	157, 163
		25, 27, 31, 33, 35, 37, 39, 41, 43, 47	GB2929900228	6031715	71	GB41633877 01	4343196	119, 143, 163
GB1929900504	6025904	37	GB2929970001	6031735	71	GB41633952 01	4342755	101, 103, 105,
GB1929900505	6025905	37	GB2929970002	6031736	71		107, 113, 117, 119	



ART. NR.	NRF. NR.	SIDE	ART. NR.	NRF. NR.	SIDE	ART. NR.	NRF. NR.	SIDE
GB41633971 02	4343213	131, 153, 155, 157, 163	GB41636359 01	4343362	101, 103, 105, 107, 109, 113, 117, 119, 175	GB41637393	4342719	121, 123, 125, 133, 145, 149, 151, 155, 159
GB41633972	4342754	101, 103, 105, 107, 113, 131, 153, 157, 163	GB41636424 01	4342632	14	GB41637406	4342721	155
GB41634002	6301993	14	GB41636437 01	4342675	163	GB41637407	4342722	155
GB41634035 01	4343314	101, 103, 105, 117	GB41636440 01	4343175	163	GB41637410	4342723	111, 155
GB41634078 01	4342692	117	GB41636447 01	4346741	143, 163	GB41637415	4342724	155
GB41634157	4340713	157	GB41636457 01	4342772	129, 135, 139, 141, 143	GB41637416	4342725	111, 155
GB41634157 01	4340713	131, 153, 161, 163	GB41636460 01	4342685	111, 117	GB41637418	4342926	155
GB41634210	4343335	14, 113, 117, 119	GB41636465 01	4342684	111, 117	GB41637445	4342653	14, 121, 129, 131, 133
GB41634470 01	4343166	119, 143, 163	GB41636479 01	4343061	117	GB41637450	4342638	14, 125, 131, 143
GB41634555 01	4343123	101, 103, 105, 107, 113, 117, 119, 175	GB41636480 01	4343062	117	GB41637453	4342651	131, 143
GB41634577	4341953	103, 105, 119	GB41636575 01	4343054	14, 121, 131, 137	GB41637562	4342762	169
GB41634610	4342911	163	GB41636575 01	7031029	133	GB41637572 53		171, 173
GB41634719 01	4343336	165	GB41636575 23	6020279	137	GB41637575	4340714	121, 129, 131, 133, 135, 143, 155, 167
GB41634730		171	GB41636575 25	6020278	137	GB41637804 01	4342635	15, 103, 117
GB41634756 01		115	GB41636575 41	6020281	137	GB41637810 01	4342636	15, 117
GB41634756 01	4343363	101, 103, 105, 107, 113, 119, 175	GB41636577 01	4341963	101, 103, 105, 107, 113, 117, 119, 175	GB41637840 02	4342637	15, 103, 117, 175
GB41634757 01	4341962	101, 103, 105, 107, 109, 113, 117, 119, 175	GB41636606 02		143	GB41637845 02		103, 175
GB41634799 0001	4343124	117, 119	GB41636617 01	4343347	119, 143, 163	GB41637850 02		171
GB41634828 01	4342661	113, 119, 129, 131, 135, 143, 153, 157, 161, 163	GB41636629 01	4342775	127, 139, 141, 147, 149	GB41638197		131
GB41635175 01		119	GB41636654 01	4343358	143	GB41638199 01	4342771	131, 135, 157, 163
GB41635270	4342917	14	GB41636726 02		137	GB41638202	4342752	131, 153, 157
GB41635430 01	4342991	119, 143, 163	GB41636820	4342905	14	GB41638220 01	4342768	131, 135, 147, 153, 157, 161, 163
GB41635633 02	434065	109	GB41636822 01		103, 105, 107, 113, 119, 175	GB41638224 01	4342769	129, 135, 143
GB41635633 02	4343065	101, 103, 105, 107, 111, 117, 175	GB41636912 01	4343359	143	GB41638275 01		103, 105
GB41635633 10	4341955	103, 105, 107, 109, 111	GB41637010 01	4342659	123, 145, 151, 157, 159, 161, 163	GB41638281 01	4342779	111
GB41635641	103, 105, 107, 109, 111, 113, 115, 119, 175	143	GB41637011 01		163	GB41638283 01	4342782	111
GB41635671 02		143	GB41637161 02	4342633	14, 129, 131, 135, 143, 153, 157, 161, 163	GB41638287 01	4342783	111
GB41635678 8701	4343059	119, 143, 163	GB41637164 02	4342643	14	GB41638334 01	4342726	101, 103, 105, 107, 109, 111, 175
GB41635680 01	4342669	143, 163	GB41637250	4343366	15, 113, 131, 157	GB41638336 01	4341957	103, 175
GB41635762 3301	4343188	131, 135, 153, 157, 161, 163	GB41637260		155	GB41638339 01	4341959	101, 103, 105, 107, 109, 117
GB41635790 01	4343189	14, 131, 145, 157, 163	GB41637261 01	4342753	107, 113, 129, 131, 135, 153, 157, 161	GB41638358 01	4342714	155
GB41635944 01	4342641	14	GB41637267 01	4343367	113, 129, 131, 135, 153, 157, 161	GB41638361 02	4342715	155
GB41636246 01	4343353	163	GB41637270 01	4342713	125, 131, 143	GB41638374 01	4342732	157, 163
GB41636254 00	4343801	167	GB41637280 01	4343319	131, 143, 155	GB41638375 01	4342731	157, 163
GB41636255 00	4343802	167	GB41637282 01	4342751	131, 139	GB41638429 01		115, 155
GB41636261 00	4343803	167	GB41637315	4342634	14, 117	GB41638450	4342716	145, 151, 157, 159, 161, 163
GB41636263 00	4343804	121, 129, 131, 133, 135, 143, 155, 157, 163	GB41637319		169	GB41638453 01	4340718	129, 131
GB41636264 44	4343805	167	GB41637326 0	4342776	145, 157, 163	GB41638457	4342942	14
GB41636266 00	4342758	171	GB41637337 01	4342676	163	GB41638464	4342933	169
GB41636266 00	4343811	167, 169, 173	GB41637347	4343368	101, 103, 105, 107, 113, 117, 175	GB41638465	4342934	169
GB41636302 02	4343217	143	GB41637352 01	4342792	107, 153	GB41638466	4342935	169
GB41636319		119, 143, 163	GB41637360 01	4342627	15, 113, 131, 157	GB41638467	4342936	169
GB41636326 01	4343126	119, 143, 163	GB41637363 01	4342735	113, 131, 157	GB41638468	4342937	169
GB41636337 01	4343127	143	GB41637367 01		131, 157	GB41638472	4342941	169
			GB41637384 01		153	GB41638474 01		145, 157
			GB41637387 01	4342717	101, 107, 109, 111, 113, 155, 175	GB41638509 01		161
			GB41637389 02	4342718	155	GB41638514 01	4342766	107, 135, 161
			GB41637393		115	GB41638521 01	4340711	153
						GB41638525 01	4342786	107
						GB41638529 01		107, 109
						GB41638530 01	4342785	107



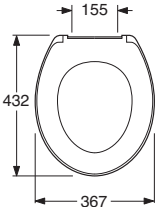
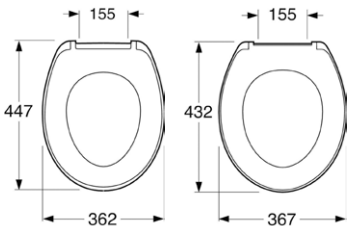
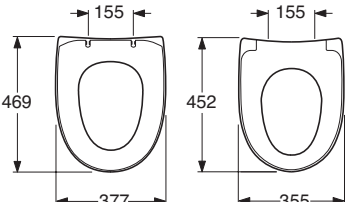
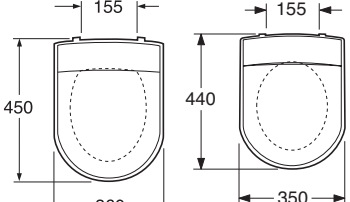
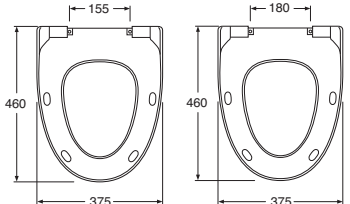
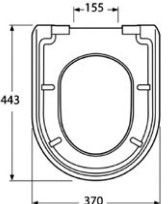
ART. NR.	NRF. NR.	SIDE	ART. NR.	NRF. NR.	SIDE	ART. NR.	NRF. NR.	SIDE
GB41638542 01	4342788	107	GB41639441 53		173	GB41639769 53		149
GB41638544 01	4342774	139	GB41639442		173	GB41639770 01		127
GB41638545 01	4342787	107	GB41639442 53		173	GB41639770 24		127
GB41638549 01	4342767	135, 147, 153, 161	GB41639443		169, 173	GB41639770 53		127
GB41638550 01		139	GB41639443 53		173	GB41639771 01		147
GB41638557 01		139, 141	GB41639444		173	GB41639771 24		147
GB41638560 01	4342773	139, 141	GB41639444 53		173	GB41639771 53		147
GB41638561		139, 141	GB41639445		171, 173	GB41639772 01		149
GB41638589		169	GB41639445 53		171, 173	GB41639772 24		149
GB41638701 01		145, 151, 157, 159	GB41639446		173	GB41639772 53		149
GB41638708 02		131, 145, 157	GB41639453 01		103, 105, 175	GB41639773 01		127, 147
GB41638720 01		121, 131, 133	GB41639456 01		103, 175	GB41639773 24		127, 147
GB41638721 02		121, 123, 125, 131, 133, 145, 151, 157, 159, 161	GB41639457 01		103, 105, 175	GB41639773 53		127, 147
GB41638725 01	4342757	167	GB41639485		173	GB41639774 01		149
GB41638726 01	4342756	167	GB41639500 01		101, 103, 105, 107, 109, 175	GB41639774 24		149
GB41638727 02	4342759	167	GB41639510		129, 153	GB41639774 53		149
GB41638728 01	4342761	167	GB41639512	4342809	173	GB41639775 01		127, 147
GB41638738 02		131, 157	GB41639513		173	GB41639776 01		149
GB41638739 01		139	GB41639522 01		121, 123, 125, 133, 145, 151, 159	GB41639778 01		147
GB41638753 01		151	GB41639523 01		121, 123, 125, 133, 145, 151, 159	GB41639801 01	4340418	121, 145
GB41638754 01		151, 161	GB41639525 01		145, 159	GB41639803 01		121, 123, 125, 145
GB41638760	4342781	14	GB41639540 01		151, 159	GB41639921 02	4342812	175
GB41638924 01		131, 157	GB41639541 01		133, 159	GB41639936 01		121, 125
GB41638955 01		103, 105, 113	GB41639542 02		105	GB41639937 01		123, 145
GB41638960 01		171	GB41639547 01		145, 151, 159	GB41639946 01		127
GB41638981 01		113, 131, 157	GB41639565 01		121, 133	GB41639946 24		127
GB41638997 02		103, 105	GB41639567 01		121, 133, 145, 159	GB41639946 53		127
GB41638998 02		103, 105	GB41639573 01		151, 159	GB41639947 01		127
GB41639062 01		129	GB41639574 01		133	GB41639947 24		127
GB41639062 01	4342791	153	GB41639586 01		173	GB41639947 53		127
GB41639066 01		153	GB41639587 01		171	GB41639948 01		127
GB41639080 01	4342789	101	GB41639588 01		171	GB41639948 24		127
GB41639097 01	4342793	129	GB41639610 01		145, 159	GB41639948 53		127
GB41639125 01		141	GB41639625 01		151	GB41639971 01		145
GB41639171 01		121	GB41639627 01		127	GB43000014 10	4343341	129, 131, 135, 139, 141, 143, 153, 155, 157, 161, 163
GB41639279 02		145	GB41639631 01		147	GB4300001510		121, 127
GB41639282 01		109, 115	GB41639631 24		147	GB43000021 01	4343369	131, 135, 143, 155, 157, 161, 163
GB41639298 01		109, 115	GB41639631 53		147	GB59SESP0001		73, 75
GB41639327 01		137	GB41639668 01		127	GB59SESP0002		73, 75
GB41639328 01		109, 115	GB41639678 01		151, 159	GB59SESP0003		73, 75
GB41639329 01		137	GB41639680 01		151, 159	GB59SESP0004		75
GB41639330 01		115	GB41639681 01		151, 159	GB59SESP0005		73, 75, 81
GB41639330 23		115	GB41639683 01		151, 159	GB59SESP0006		73, 75, 77, 79, 81
GB41639330 41		115	GB41639685 01		151, 159	GB59SESP0007		73, 75
GB41639331 01		137, 147, 149	GB41639686 01		151, 159	GB59SESP0008		73
GB41639332 01		137	GB41639688 01		151, 159	GB59SESP0009		77
GB41639332 41		137	GB41639690 01		151, 159	GB59SESP0010		77
GB41639332 53		137	GB41639707 01		151, 159	GB59SESP0011		77
GB41639333 01		137	GB41639767 01		149	GB59SESP0012		81
GB41639390 01		109	GB41639767 24		149	GB59SESP0013		81
GB41639390 41		109	GB41639767 53		149	GB59SESP0014		79
GB41639390 53		109	GB41639768 01		147	GB59SESP0015		79
GB41639439		173	GB41639768 24		147	GB59SESP0016		79
GB41639440		169	GB41639768 53		147	GB59SESP0017		79
GB41639440	4342784	171, 173	GB41639769 01		149	GB59SESP0018		79
GB41639440 53		171, 173	GB41639769 24		149	GB8148000001		65
GB41639441	4342804	171, 173						



ART. NR.	NRF. NR.	SIDE	ART. NR.	NRF. NR.	SIDE	ART. NR.	NRF. NR.	SIDE
GB814800002		61	GB814800072		61	GB88306036	6025434	13
GB814800003	61, 63, 65, 67, 69		GB814800073		61	GB8830701001	6025663	13
GB814800004	65, 67, 69		GB814800074		61	U90880261		93, 95, 97
GB814800005	63, 67		GB814800075		61	UCTAP0259		93, 95
GB814800006	61, 65		GB814800076		61	UDWDOORKNOB2W-61		99
GB814800008	61, 69		GB814800077		61	UDWDOORKNOBW-61 6301637	83, 85, 87, 89,	91, 93, 95, 97
GB814800009	63, 69		GB814800078		61			
GB814800010	63, 69		GB814800079		63	UPGUALPD		89
GB814800011	65		GB814800080		63	UPGUALPQ		87
GB814800012	65		GB814800081		63	UPGUBP90-01		95
GB814800013	63, 65, 69		GB814800082		63	UPGUBP90-61		95
GB814800014	67		GB814800083		63	UPGUCCT-01		85
GB814800015	63, 69		GB814800084		63	UPGUCCT-61		85
GB814800019	65		GB814800085		63	UPGUCURSP		93, 97
GB814800020	65		GB814800098		67	UPGUDS249		99
GB814800021	65		GB814800099		65	UPGUED01020	83, 87, 93, 95, 97	
GB814800022	65		GB814800100		65	UPGUED01024		85, 89
GB814800023	65		GB814800101		65	UPGUED02063D-01		83, 85
GB814800024	65		GB814800102		65	UPGUED02099		89
GB814800025	65		GB814800103		67	UPGUED03030		83, 85, 95
GB814800026	65		GB814800104		67	UPGUFY-011		87, 89, 91
GB814800027	65		GB814800108		67	UPGUFY002-01		83, 85
GB814800028	65		GB814800109		67	UPGUFY002-61		83, 85
GB814800029	65		GB814800110		67	UPGUINSKALC		91
GB814800030	65		GB814800111		67	UPGUINSKBW-01		93, 95
GB814800031	65		GB814800112	67, 69		UPGUINSKBW-61		93, 95
GB814800032	65		GB814800113	63		UPGUINSKCU-01		93, 97
GB814800033	65		GB814800114	69		UPGUINSKCU-61		93, 97
GB814800034	65		GB814800115	69		UPGUINSKGD-01		85
GB814800035	65		GB814800116	69		UPGUINSKGD-61		85
GB814800036	65		GB814800117	63		UPGUINSKGQ-01		83
GB814800037	65		GB814800118	63		UPGUINSKGQ-61		83
GB814800038	65		GB814800119	63		UPGUINSKJD-61	87, 89	
GB814800039	65		GB814800120	63		UPGUINSKLQ-01		95
GB814800040	65		GB814800121	63		UPGUINSKLQ-61		95
GB814800041	65		GB814800122	63		UPGUINWF7201		99
GB814800042	65		GB814800123	65		UPGUMAGSP		91
GB814800043	67		GB814800124	65		UPGUPCC80-01		97
GB814800044	67		GB814800125	65		UPGUPCC90-01		93
GB814800046	69		GB814800126	65		UPGUPCC90-61		93, 97
GB814800049	69		GB814800127	65		UPGURSPG-6		83, 95
GB814800053	69		GB814800128	65		UPGURSPG-8		85
GB814800054	69		GB814800129	65		UPGUSWD-6		87
GB814800055	61		GB814800130	65		UPGUSWD-8		89, 91
GB814800056	61		GB814800131	67		UPGUSWD-8-L		87, 91
GB814800057	61		GB814800132	67		UPGUTFQ		95
GB814800058	61		GB814800133	67		UPGUTFS		93, 97
GB814800059	61		GB814800134	69		UPGUTHJ	87, 89, 91	
GB814800060	61		GB814800136	65, 67, 69		UPGUTHWF7201		99
GB814800061	61		GB814800137	61		UPGUWDWF7201		99
GB814800062	61		GB814800138	65		UPGUWH-6-61/2	83, 85, 93, 95, 97	
GB814800063	61		GB88305100	6025705	13	UPGUWH-8-61/2		85
GB814800064	61		GB88305101	6025611	13	UPGUYDG262-69-01		97
GB814800065	61		GB88305500	6025636	13	UPGUYDG262-69-61		97
GB814800066	61		GB88305501	6025637	13			
GB814800067	61		GB88306000		13			
GB814800068	61		GB88306001	6025429	13			
GB814800070	61		GB88306004	6025431	13			
GB814800071	61		GB88306015	6025432	13			



Toalettseter

	NRF. NR.	ART. NR.	VEIL. PRIS EKS. MVA.	VEIL. PRIS INKL. MVA.
 <p>Seter til Nordic³/Saval 2.0</p> <p>Nordic³ hvitt propensete Hvitt hardplastsete Hvitt soft-Close og Quick-release sete</p>	6025456 6096502 6025471	9M646101 8780G101 8780S101	323 878 1.549	404 1.098 1.936
 <p>SETER</p> <p>8780 Nordic³ compact hardplastsete, hvitt 8780 Nordic³ compact hardplast sete med SC 9M64 Nordic³ compact standardsete, hvitt</p>	6025476 6025475 6025477	8780G801 8780S801 9M648101	777 1.370 286	971 1.713 357
 <p>Passer til samtlige toaletter i Nautic-serien</p> <p>Standard propensete, hvit Lux-sete, hardplast, hvitt, rustfrie fester Lux-sete, hardplast, hvitt, SC/QR Lux-sete, hardplast, sort, SC/QR Hardplast slimsete, SC/QR</p>	6025425 6025426 6025427 6025428 6025478	9M246101 9M256101 9M26S101 9M26S136 8M45S101	333 1.002 1.599 2.118 1.492	416 1.253 1.999 2.648 1.865
 <p>Logic toalettseter</p> <p>Hardplast, hvitt, rustfrie fester Hardplast, hvitt, SC Hardplast, sort, SC</p>	6025517 6025511 6025404	9M016101 9M11S101 9M11S136	1.265 1.842 2.413	1.581 2.303 3.016
 <p>9M10 Estetic gulvtoalettsete</p> <p>Hvit hardplastsete med SC/QR Matt sort hardplastsete med SQ/QR Hvit hardplastsete med faste hengsler</p> <p>9M09 Estetic veggskålsete</p> <p>Hvit hardplastsete med SC/QR Matt hvit hardplastsete med SC/QR Matt sort hardplastsete med SQ/QR Hvit hardplastsete med faste hengsler</p>	6025459 6025484 6025463 6025464 6025466 6025483 6025467	9M10S101 9M10S133 9M106101 9M09S101 9M09S1S3 9M09S133 9M096101	2.164 2.801 1.552 1.990 2.966 2.801 1.527	2.705 3.501 1.940 2.488 3.708 3.501 1.909
 <p>Sete til Care 4G01/4G95</p> <p>Hvit hardplastsete med faste hengsler Hvit hardplastsete med SC/QR</p>	6025469 6025445	9M676101 9M38S101	1.626 1.586	2.033 1.983

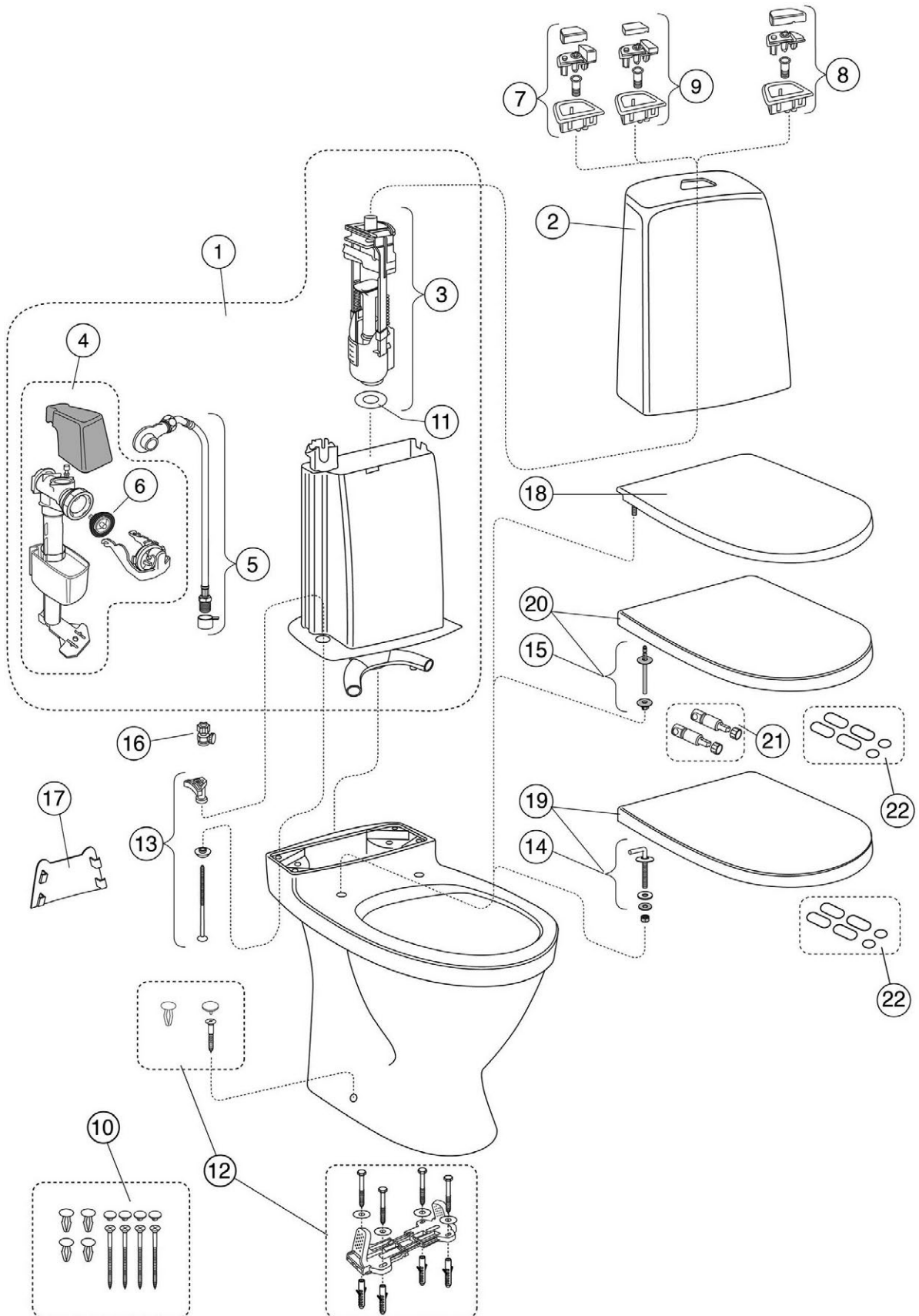
	NRF. NR.	ART. NR.	VEIL. PRIS EKS. MVA.	VEIL. PRIS INKL. MVA.
<p>Artic/HygienicFlush Hardplastsete med SC/QR</p> <p>Hvitt Sort</p>	6025508 6025509	9M16S101 9M16S136	2.447 3.022	3.059 3.778
<p>Kompletterende seter Nordic seter til 390-serien</p> <p>Propensete, hvitt, m/lokk</p>	6025412	GB1919901702	323	404
<p>Sort lux-sete m/rustfrie fester f/390</p>	6025514	GB1919901960	1.925	2.406
<p>Hvitt propensete f/325 Hardplast lux-sete f/325, m/lokk</p>	6025411 6025415	GB1929900226 GB1919901900	429 1.318	536 1.648
<p>Hvitt propensete f/315</p> <p><i>Setene passer til 2300, 2310, 2320, 2330, 2350 og 2391</i></p>	6025408	GB1929900227	492	615
<p>Hardplastsete for Nordic serien, m/ SC/QR</p>	6025518	8M56S101	1.599	1.999

	NRF. NR.	ART. NR.	VEIL. PRIS EKS. MVA.	VEIL. PRIS INKL. MVA.
	6096503	GB1919902002	323	404
	6025405	GB1919902065	2.071	2.589
	6025419 6025513	GB1919901601 GB1919901610	1.869 2.216	2.336 2.770
Barnetoalettsete				
	6025406 6025407	GB1919900910 GB1919901286	1.654 429	2.068 536
Care Basic				
	6025611	GB88305101	7.786	9.733
	6025705	GB88305100	6.348	7.935
	6025636	GB88305500	5.559	6.949
	6025637	GB88305501	6.985	8.731
	6025429	GB88306001	1.760	2.200
	6025431	GB88306004	1.893	2.366
	6025432	GB88306015	1.893	2.366
	6025434	GB88306036	1.893	2.366
		92209800	149	187
		GB88306000	546	683
Tilleggsutstyr toaletter				
	6025663	GB8830701001	2.376	2.970

**Utløpstuter | Bunnventiler | Anslutningskoplinger
Eksenterkoplinger | Veggfester**
RESERVEDELER

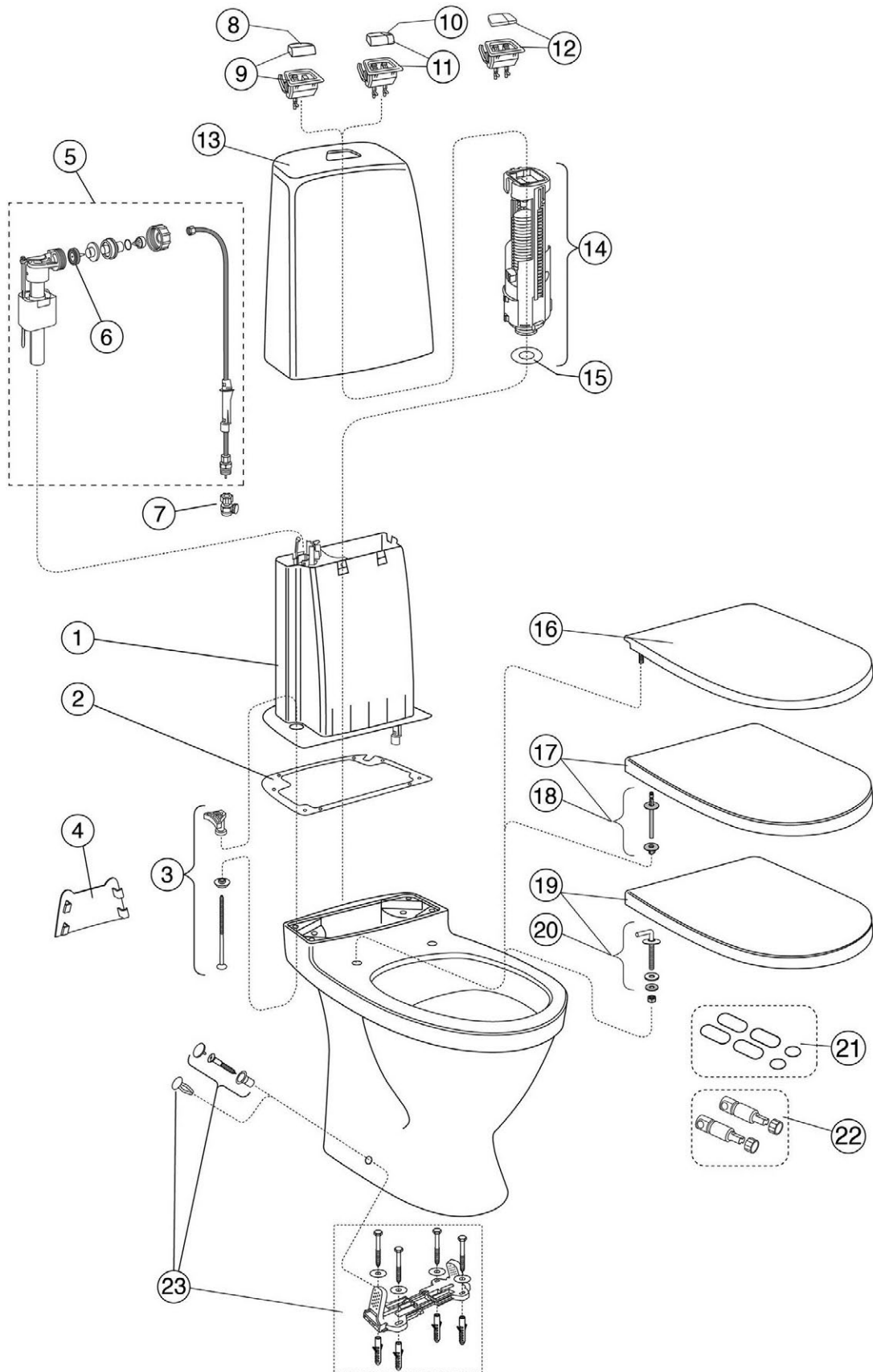
	NRF. NR.	ART. NR.	VEIL. PRIS EKS. MVA.	VEIL. PRIS INKL. MVA.	
	Utløpstuter og bunnventiler				
	Utløpstut, rett svingbar 85 mm, fkr	4342879	GB41633631	614	768
	Utløpstut, rett svingbar 150 mm, fkr	4342877	GB41633632	614	768
	Utløpstut, rett svingbar 200 mm, fkr	4342878	GB41633633	817	1.021
	Utløpstut, rett svingbar 250 mm, fkr	4342868	GB41633614	844	1.055
	Utløpstut, rett svingbar 350 mm, fkr	4342625	GB41633616	1.080	1.350
	Utløpstut, rett svingbar 400 mm, fkr	4342626	GB41633624	1.130	1.413
	Utløpstut 945 mm (dobbl. svingbar) f/veggbatteri	4342811	GB41630151	2.354	2.943
	S-tut 150 mm svingbar	4342815	GB41630191	457	571
	S-tut 250 mm svingbar	4342819	GB41630194	622	778
	S-tut 350 mm svingbar	4342975	GB41630197	501	626
	Utløpstut 250 mm svingbar	4342977	GB41630196	501	626
	Omkastrerhus m/draomkaster f/forskjellige tuter	4342634	GB41637315	885	1.106
	Badekartut m/draomkaster f/veggbatteri, fkr	4342905	GB41636820	828	1.035
	Svingbar tut m/omkastrerhus L=350	4342917	GB41635270	2.434	3.043
	Selvstengende hånddusj m/slange f/veggbatteri	4343335	GB41634210	1.067	1.334
	Dreibar badekartut Passer til dusjkran m/termostater (produsert 01.2013 og senere).	4342781	GB41638760	1.053	1.316
		Bunnventiler Anslutningskoplinger Eksenterkoplinger Veggfester			
Silventil m/overløp m/plugg, fkr		4342653	GB41637445	664	830
"Push down" ventil, fkr		4343054	GB41636575 01	519	649
Oppløftventil, ekskl. stang, krom		4342638	GB41637450	723	904
Stang f/oppløftventil 375 mm, krom		4343055	GB41630305	147	184
Blanderfeste f/utvendig rørføring u/avstengning		4343071	FG0115080	766	958
Blanderfeste f/skjult rørføring u/avstengning		4343076	FG0115050	421	526
Blanderfeste f/skjult rørføring f/PEX-rør Dy 15x2,5 fkr		4343102	FG0115061	458	573
Blanderfeste f/skjult rørføring f/PEX-rør Dy 16x2,2 fkr		4343103	FG0115062	458	573
Eksenterkupling 3/4" x 1/2". Pr. stk.		4343115	GB41631765 02	348	435
Rett kobling f/dusjkabinett. Pr. par		6301993	GB41634002	266	333
Kuleventil rett f/veggbatteri m/e.vannuttak m/foravst.		4342639	FG079805705	248	311
Vridbar tilkoblingsvinkel f/oppvaskmaskin over benk		4343189	GB41635790 01	737	921
SoftPEX-slanger 2 stk. L=400mm		4342633	GB41637161 02	247	309
SoftPEX-slanger 2 stk. L=600 mm		4342643	GB41637164 02	240	300
Kobberrør 1 stk.		4342632	GB41636424 01	1.467	1.834
"Legionella" dreneringsventil f/mont. mellom batteri/slange		4342641	GB41635944 01	856	1.070
Stabiliseringsstag		4342942	GB41638457	263	329

	NRF. NR.	ART. NR.	VEIL. PRIS EKS. MVA.	VEIL. PRIS INKL. MVA.	
	Spaker, kranoverdel f/sykehus/handikapbatterier				
	Ettgreps HC spak Nautic. Rød/blå merking	4342627	GB41637360 01	483	604
	Spesialoverdel m/ker.tetn. f/216503	4342994	GB41103017 23	349	436
	m/160 mm spak				
	Nautic Ratt mengdeside	4342635	GB41637804 01	154	193
	f/termostatbatteri, krom				
	Nautic Ratt temperaturside	4342636	GB41637810 01	154	193
f/termostatbatteri, krom					
HC vingespaker f/termostatbatteri, par	4342637	GB41637840 02	246	308	
Forlenget spak til alle Nautic	4343366	GB41637250	335	419	
ettgrepskraner, krom					

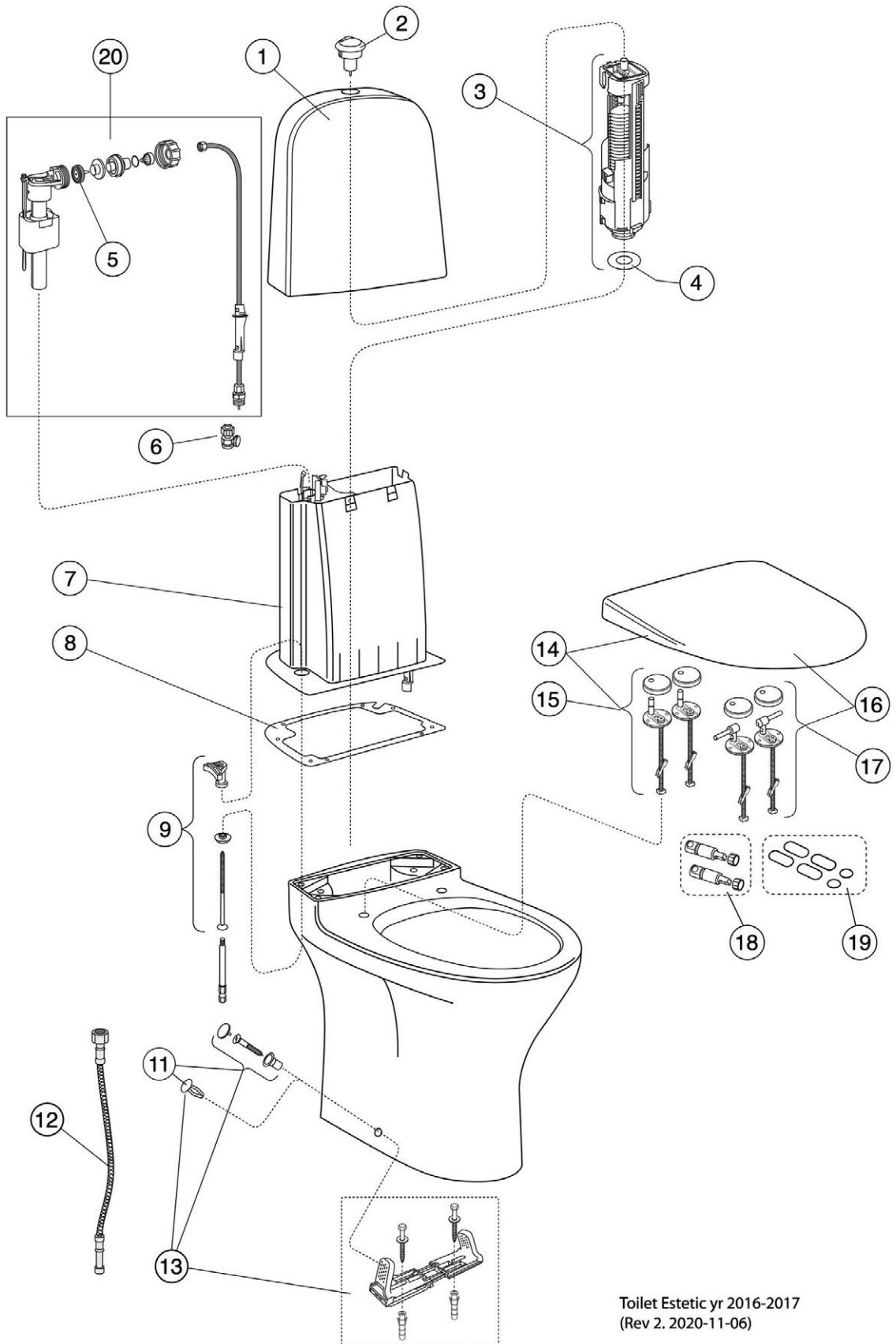




DETALJENUMMER OG PRODUKT	NRF. NR.	ART. NR.	VEIL. PRIS EKS. MVA.	VEIL. PRIS INKL. MVA.
1 Plastsisterne komplett	6025996	GB19299N0100	1.628	2.035
2 Porselensisterne	6025619	GB185580001200	1.629	2.036
3 Utløpsventil	6025983	9GN00100	540	675
4 Innløpsventil komplett	6025984	9GN00200	609	761
5 Vanntilførselsrør	6025994	9GN01000	282	353
6 Membran	6025985	9GN00300	124	155
7 Høy trykknapp duo, krom	6025986	9GN00561	216	270
8a Høy trykknapp enkel, krom	6025988	9GN00661	216	270
8b Vandalsikker trykknapp	6023009	GB19299NNV36	1.149	1.436
9 Lav trykknapp duo, krom	6025987	9GN01161	216	270
10 Skruesett for gulvfeste	6025633	GB1929900365	97	121
11 Bunnventilpakking	6025995	9GN00400	101	126
12 Gulvfeste	6025689	92242500	244	305
13 Sisternebolter	6025622	92226100	203	254
14 Faste hengsler		92096361	349	437
15 SC/QR hengsler		92095761	419	524
16 Avstengningsventil	6025675	GB1929900503	182	228
17 Dekkluke for toalett 5500	6025833	GB1929903410	216	270
18 Nautic standard propensete, hvit	6025425	9M246101	333	416
19 Nautic lux-sete i hardplast m/rustfrie fester	6025426	9M256101	1.002	1.253
20a Nautic lux-sete m/ SC/QR, hvitt	6025427	9M26S101	1.599	1.999
20b Nautic lux-sete m/ SC/QR, sort	6025428	9M26S136	2.118	2.648
20c Nautic slim sete med SC/QR	6025478	8M45S101	1.492	1.865
21 Soft close demper	6025677	92242400	602	753
22 Støtputer	6026033	92242001	170	213

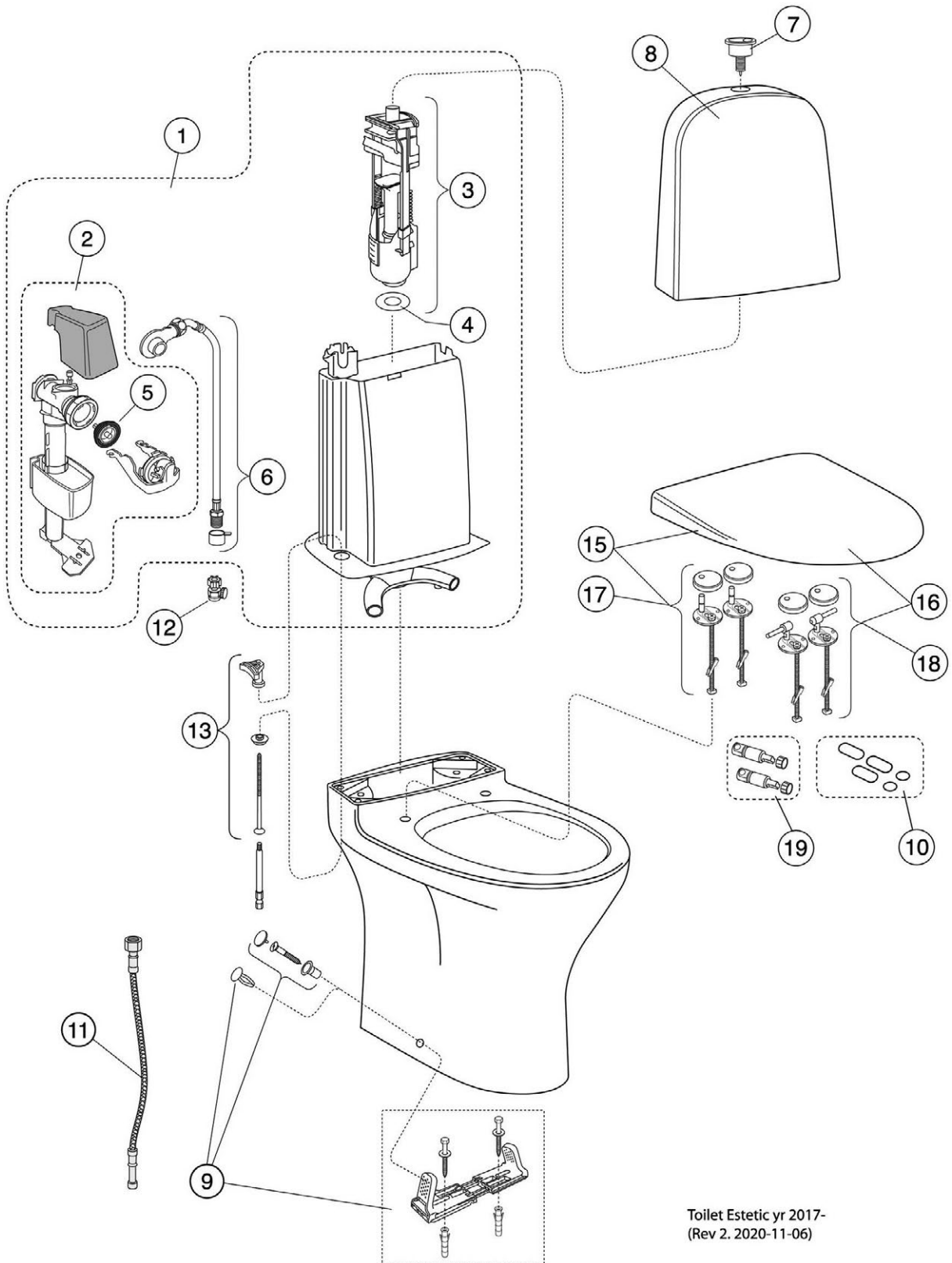


DETALJENUMMER OG PRODUKT	NRF. NR.	ART. NR.	VEIL. PRIS EKS. MVA.	VEIL. PRIS INKL. MVA.
1 Komplette plastsisterne + trykknapp f. 2017	6025996	GB19299N0100	1.628	2.035
2 Systernepakning	6025616	GB19299P0114	84	105
3 Systernebolter	6025622	92226100	203	254
4 Dekkluge for toalett 5500	6025833	GB1929903410	216	270
5 Flottørventil	6195243	GB19299N0105	810	1.013
6 Membran for erstatningsventil	6025985	9GN00300	124	155
6a Membran originaventil	6025606	GB19299P0106	121	151
7 Avstengningsventil	6025675	GB1929900503	182	228
8a Trykknapp enkel, krom	6025615	GB19299P0113	203	254
8b Vandalsikker trykknapp	6025669	GB19299NV036	1.295	1.619
9a Trykknapp enkel, hvit, komplett	6025746	GB19299P0109	216	270
9b Trykknapp enkel, krom, komplett	6025747	GB19299P0111	216	270
10 Trykknapp duo, krom	6025614	GB19299P0112	203	254
11 Trykknapp duo, krom, komplett	6025749	GB19299P0110	216	270
11a Trykknapp duo, hvit, komplett	6025748	GB19299P0108	216	270
12 Trykknapp duo, lav, krom, komplett		GB19299P0210	214	268
13 Porselensisterne	6025619	GB185580001200	1.629	2.036
14 Utløpsventil	6025603	GB19299P0102	609	761
15 Ventilhuspakning	6025812	GB19299TK962	101	126
16 Nautic standard propensete, hvit	6025425	9M246101	333	416
17a Nautic slim sete med SC/QR	6025478	8M45S101	1.492	1.865
17b Nautic lux-sete m/SC/QR , hvitt	6025427	9M26S101	1.599	1.999
17c Nautic lux-sete m/SC/QR , svart	6025428	9M26S136	2.118	2.648
18 SC/QR hengsler	6026032	92241461	419	524
19 Støtputter	6026033	92242001	170	213
20 Hengsler, rustfrie fester	6026031	92241361	1.002	1.253
23 Gulvfeste	6025689	92242500	244	305



Toilet Estetic yr 2016-2017
(Rev 2. 2020-11-06)

DETALJENUMMER OG PRODUKT	NRF. NR.	ART. NR.	VEIL. PRIS EKS. MVA.	VEIL. PRIS INKL. MVA.
1a Sистерne hvit		GB18830001200	1.447	1.809
1b Sистерne matt hvit		GB18830041200	2.627	3.284
1c Sистерne sort		GB18830036200	1.439	1.799
2 Trykknapp, duo		GB19299P0801	305	381
3 Utløpsventil		GB19299P0802	421	526
4 Bunnventilpakkning	6025812	GB19299TK962	101	126
5 Membran	6025606	GB19299P0106	121	151
6 Stoppekran	6025675	GB1929900503	182	228
7 Komplette plastsisterne	6025996	GB19299N0100	1.488	1.860
8 Sистерnepakning	6025616	GB19299P0114	84	105
9 Sистерnebolter	6025622	92226100	203	254
11 Skruer	6025633	GB1929900365	97	121
13 Gulvfeste		92214501	244	305
14a Toalettsete 9M10 - SQ/QR, hvit	6025459	9M10S101	2.164	2.705
14b Toalettsete 9M10 - SQ/QR, matt hvit	6025473	9M10S1RW	3.022	3.778
14c Toalettsete 9M10 - SQ/QR, sort	6025461	9M10S136	2.829	3.536
14d Toalettsete 9M10 - SQ/QR, matt sort	6025484	9M10S133	2.801	3.501
15 Hengsler for SC/QR, for gulvtoalett	6025962	92213161	697	871
16 Toalettsete 9M10 - faste hengsler, hvit	6025463	9M106101	1.329	1.661
17 Faste hengsler, for gulvtoalett	6025963	92213261	376	470
18 Dempere for SC sete	6025966	92213300	246	308
19 Støtputer		92213400	112	140
20 Innløpsventil	6195243	GB19299N0105	810	1.013



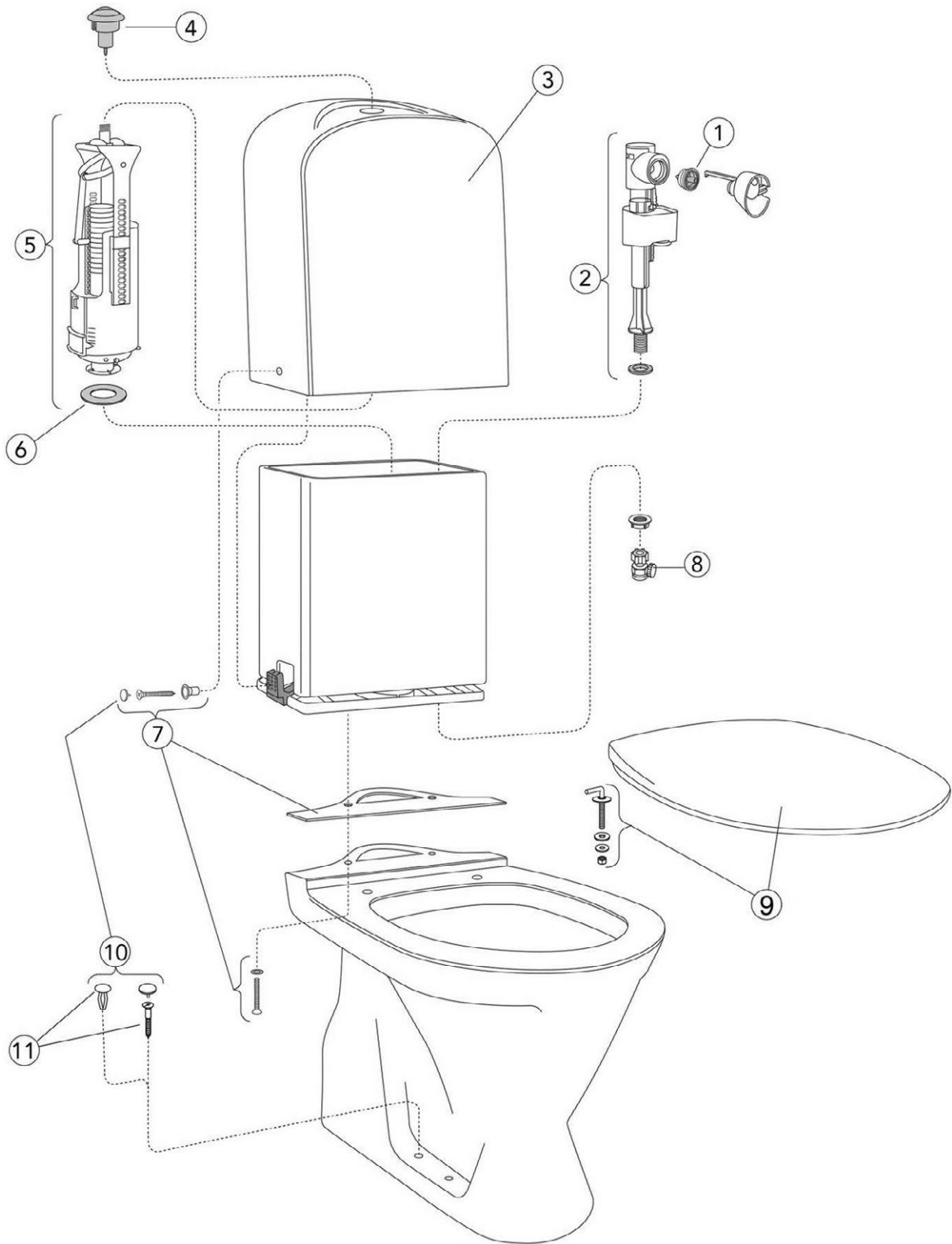
Toilet Estetic yr 2017-
(Rev 2. 2020-11-06)

DETALJENUMMER OG PRODUKT	NRF. NR.	ART. NR.	VEIL. PRIS EKS. MVA.	VEIL. PRIS INKL. MVA.
1 Plastsisterne komplett	6025996	GB19299N0100	1.628	2.035
2 Innløpsventil komplett	6025984	9GN00200	609	761
3 Utløpsventil	6025983	9GN00100	540	675
4 Bunnventilpakking	6025995	9GN00400	101	126
5 Membran	6025985	9GN00300	124	155
6 Vanntilførselsrør	6025994	9GN01000	282	353
7a Trykknapp duo, krom	6026024	87569961	207	259
7b Trykknapp enkel	6026025	9GN016D7	1.065	1.331
8a Sистерne hvit		GB18830001200	1.447	1.809
8b Sистерne Matt hvit		GB18830041200	2.627	3.284
8c Sистерne sort		GB18830036200	1.439	1.799
8d Sистерne matt sort	6024313	GB18830033200	2.537	3.171
9 Gulvfeste		92214501	244	305
10 Støtputer		92213400	112	140
12 Stoppekran	6025675	GB1929900503	182	228
13 Sистерnebolter	6025622	92226100	203	254
15a Toalettsete 9M10 - SQ/QR, hvit	6025459	9M10S101	2.164	2.705
15b Toalettsete 9M10 - SQ/QR, matt hvit	6025473	9M10S1RW	3.022	3.778
15c Toalettsete 9M10 - SQ/QR, sort	6025461	9M10S136	2.829	3.536
15d Toalettsete 9M10 - SQ/QR, matt sort	6025484	9M10S133	2.801	3.501
16 Toalettsete 9M10 - faste hengsler, hvit	6025463	9M106101	1.552	1.940
17 Hengsler for SC/QR, for gulvtoalett		92213161	697	871
18 Faste hengsler, for gulvtoalett		92213261	376	470
19 Dempere for SC sete		92213300	246	308

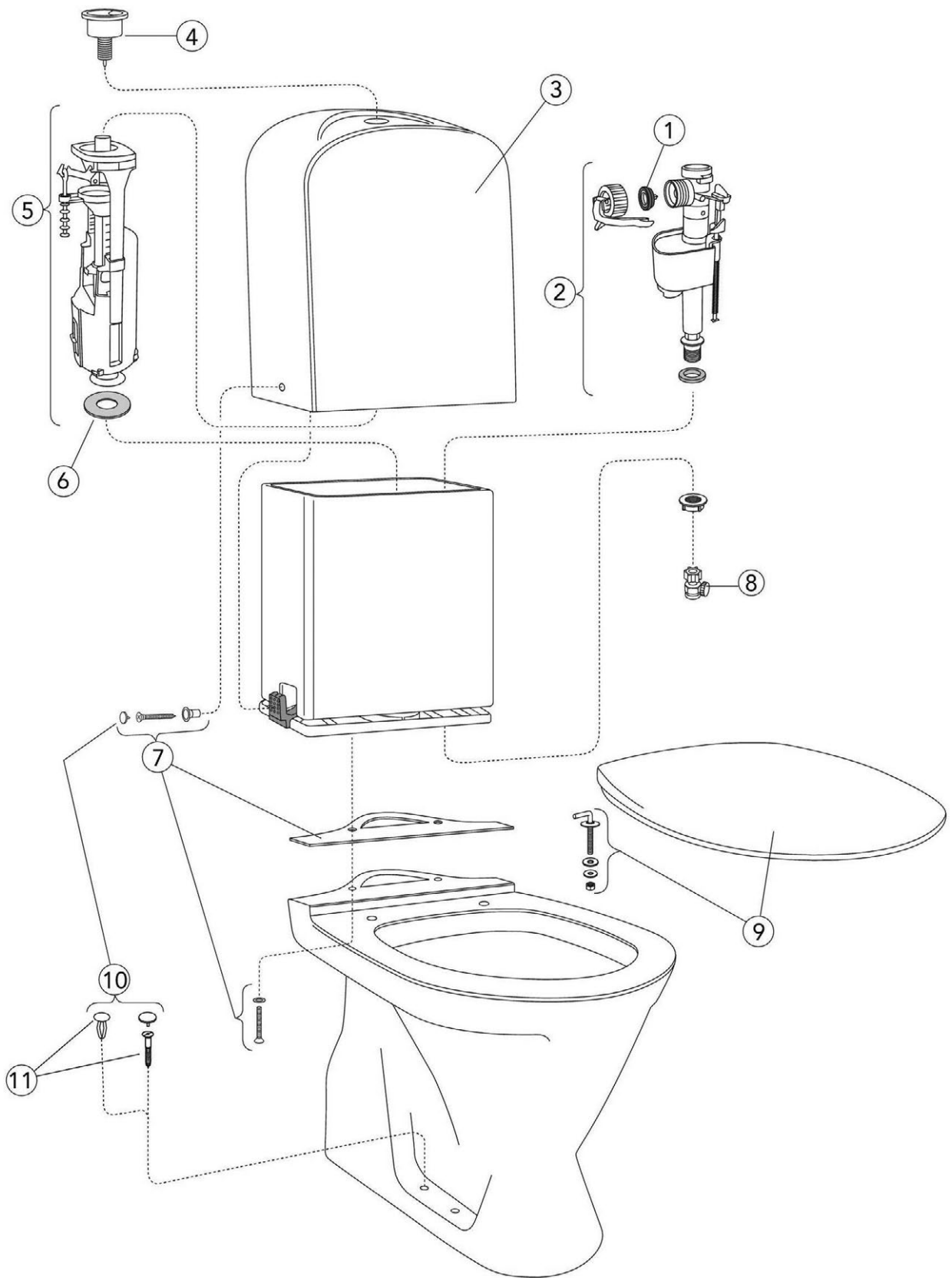


Toilet 6000 series yr 2019-. 6400. 6410
(Rev 2. 2022-11-23)

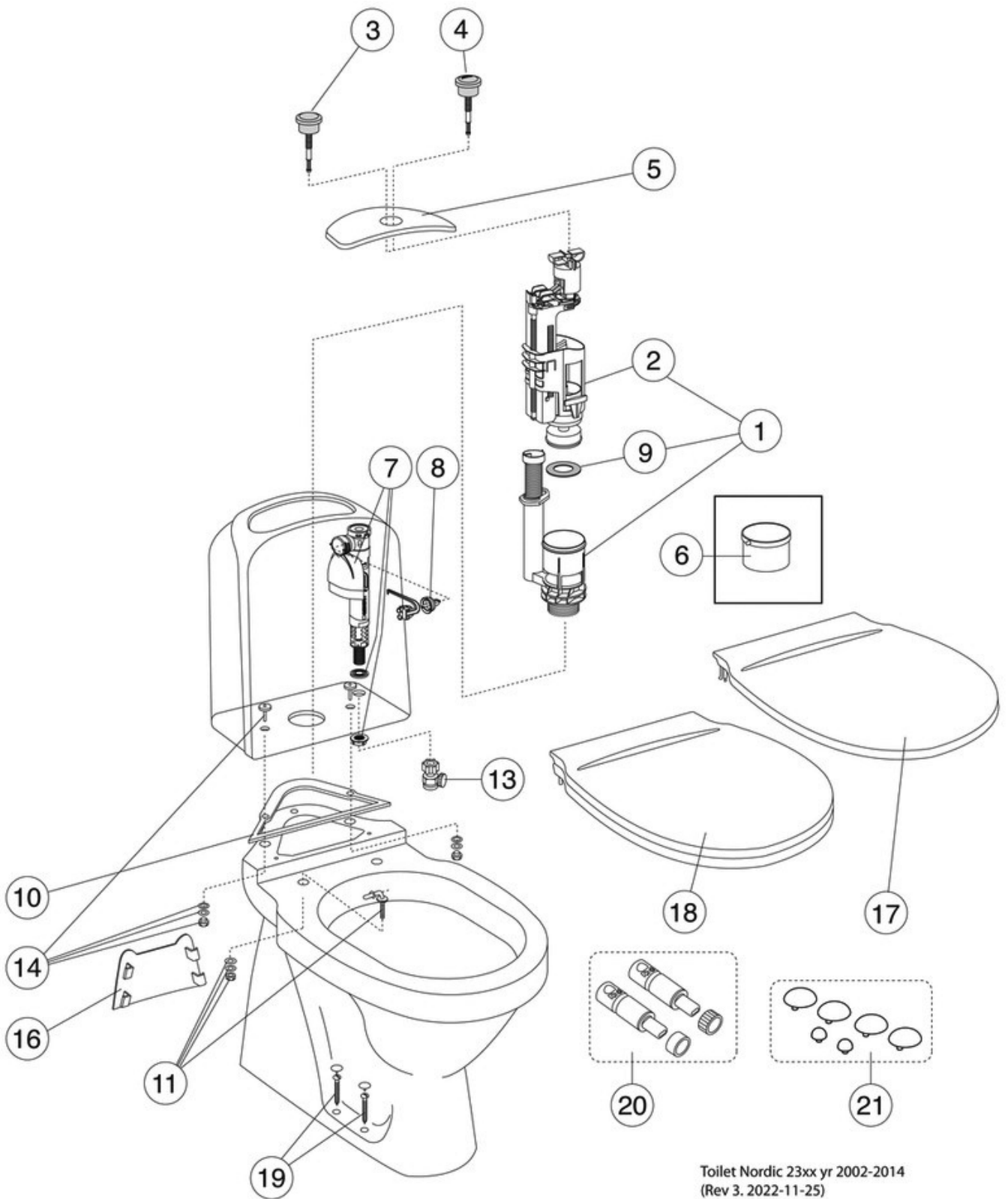
DETALJENUMMER OG PRODUKT	NRF. NR.	ART. NR.	VEIL. PRIS EKS. MVA.	VEIL. PRIS INKL. MVA.
1 Plastsisterne komplett	6025996	GB19299N0100	1.488	1.860
2a Systerne Scandic, hvit		GB186T01001200	1.204	1.505
2b Systerne Pacific, hvit		GB186T02001200	1.659	2.074
2c Systerne Oceanic, hvit		GB186T03001200	1.659	2.074
3 Utløpsventil	6025983	9GN00100	540	675
4 Innløpsventil komplett	6025984	9GN00200	609	761
5 Vanntilførselsrør	6025994	9GN01000	282	353
6 Membran	6025985	9GN00300	124	155
7 Bunnventilpakking	6025995	9GN00400	101	126
8a Trykknapp duo, krom	6026024	87569961	207	259
8b Trykknapp enkel	6026025	9GN016D7	1.065	1.331
9 Gulvfeste		92214501	244	305
10 Systernebolter	6025622	92226100	203	254
11 Rustfrie hengsler		92096361	349	437
13 Stoppekran	6025675	GB1929900503	182	228
14 Dekkluke for S-lås	6025833	GB1929903410	216	270
15 Hengsler m/SC og QR sete		92095761	419	524
16 Nautic lux-sete i hardplast m/rustfrie fester	6025426	9M256101	1.002	1.253
17a Nautic slim sete med SC/QR	6025478	8M45S101	1.492	1.865
17b Nautic lux-sete m/ SC/QR, hvitt	6025427	9M26S101	1.599	1.999
17c Nautic lux-sete m/ SC/QR, sort	6025428	9M26S136	2.118	2.648
18 Soft Close demper f/ 9M26S101 og 9M26S136	6026034	92242400	602	753
19 Støtputer	6023033	92242001	170	213



DETALJENUMMER OG PRODUKT	NRF. NR.	ART. NR.	VEIL. PRIS EKS. MVA.	VEIL. PRIS INKL. MVA.
1a Membran til innløpsventil GB1929901972	6025895	GB19299P0206	189	236
1b Membran til innløpsventil 9GS01300	6026038	9GS01400	189	236
1c Membran til innløpsventil 9GN00210	6025985	9GN00300	124	155
2 Innløpsventil	6195242	9GN00210	712	890
3 Sистерne		GB184700001200	1.629	2.036
4 Trykknapp, duo		GB19299P0201	290	363
5 Utløpsventil universal m/trykknapp	6026772	9GN01761	663	829
6 Bunnpakning	6025812	GB19299TK962	101	126
7 Skruer og sisternepakning	6195244	GB19299P0204	287	359
8 Avstengningsventil	6025675	GB1929900503	182	228
9a Propensete	6025456	9M646101	323	404
9b Sete, faste hengsler, hvit	6096502	8780G101	878	1.098
9c Sete m/ SC/QR, hvit	6025471	8780S101	1.549	1.936
9d Rustfrie hengsler f/Saval 2.0/Nordic ³		92241961	195	244
9e Hengsler SC/QR til 8780S101		92211761	616	770
10 Poser med propper		GB19299P0207	51	64
11 Skruerpose gulv: 4 skruer, 4 dekkpropper, 4 limpropper	6025633	GB1929900365	97	121
x Dekkeluke	6025833	GB1929903410	216	270

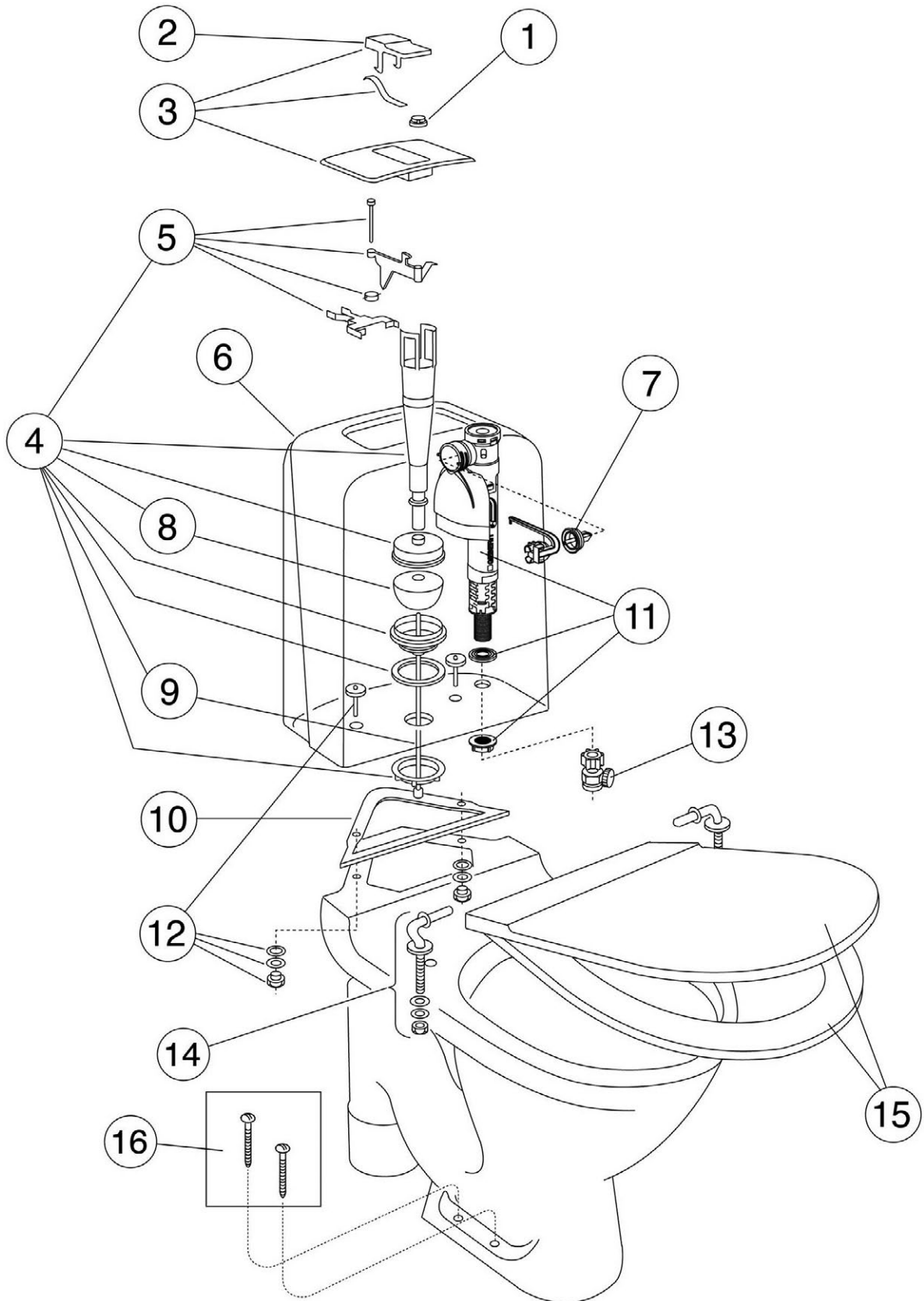


DETALJENUMMER OG PRODUKT	NRF. NR.	ART. NR.	VEIL. PRIS EKS. MVA.	VEIL. PRIS INKL. MVA.
1a Membran til innløpsventil 9GS01300	6026038	9GS01400	189	236
1b Membran til innløpsventil 9GN00210	6025985	9GN00300	124	155
2 Innløpsventil	6195242	9GN00210	712	890
3 Sистерne Nordic3		GB184700001200	1.629	2.036
4a Trykknapp duo, krom, til ventil 9GS01600	6026035	9GS01561	339	424
4b Trykknapp duo, krom		GB19299S3951	108	135
5a Utløpsventil m/tryknapp		GB19299S3953	663	829
5b Utløpsventil universal m/tryknapp	6026772	9GN01761	663	829
6 Bunnpakning til didterne 9GS01600		9GS01700	55	69
7 Skruer og sisternepakn.	6195244	GB19299P0204	287	359
8 Avstengningsventil		GB1929900503	182	228
9a Propensete	6025456	9M646101	323	404
9b Sete, faste hengsler, hvit	6096502	8780G101	878	1.098
9c Sete m/ SC/QR, hvit	6025471	8780S101	1.549	1.936
9e Hengsler SC/QR til 8780S101		92211761	616	770
10 Poser med propper		GB19299P0207	51	64
11 Skruerpose gulv: 4 skruer, 4 dekkpropper, 4 limpropper	6025633	GB1929900365	97	121



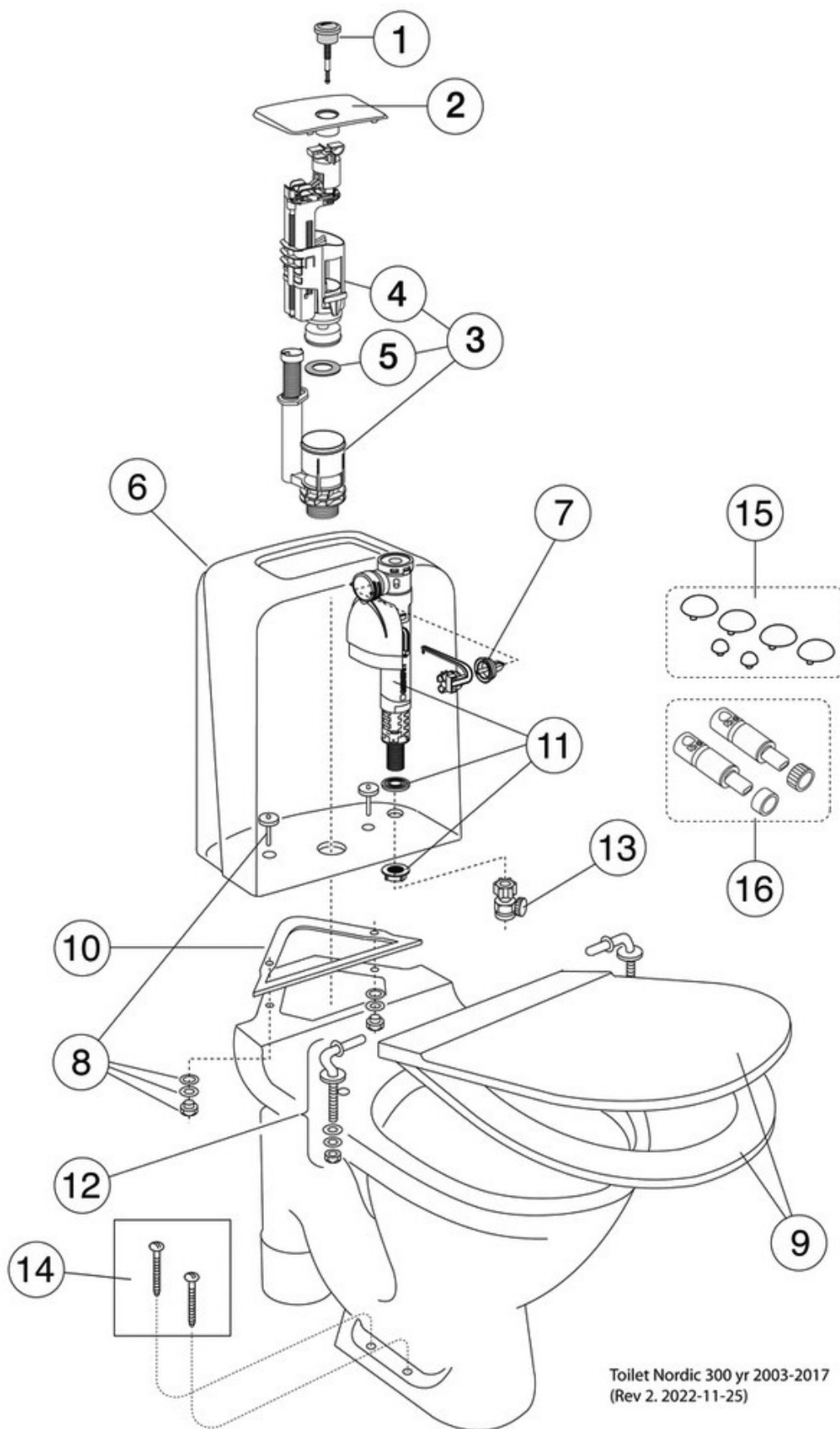
Toilet Nordic 23xx yr 2002-2014
(Rev 3. 2022-11-25)

DETALJENUMMER OG PRODUKT	NRF. NR.	ART. NR.	VEIL. PRIS EKS. MVA.	VEIL. PRIS INKL. MVA.
Nordic sisterne med indre tank	6024312	GB184700S11200	2.290	2.863
1/2 Utløpsventil med trykknapp duo	6026037	GB19299N2953	609	761
3a T2 Trykknapp Enkel, krom	6025883	GB19299T2952	276	345
3b K Trykknapp enkel, krom	6025816	GB19299K1951	276	345
4a T2 Trykknapp duo, krom	6025882	GB19299T2951	290	363
4b T1 Trykknapp duo, krom	6025808	GB19299T1951	290	363
4c Trykknapp duo til ventil GB19299N2953		GB19299N2951	255	319
5 T2/T1/K sisternelokk, hvit	6024962	GB19299K1931	244	305
6 K/T2 adapter	6025798	GB19299KT959	140	175
7a Innløpsventil	6195242	9GN00210	712	890
7b Innløpsventil for sideforbinding	6025896	GB1929901974	917	1.146
8a Membran til innløpsventil GB1929901972	6025895	GB19299P0206	189	236
8b Membran	6025985	9GN00300	124	155
9a T2/T1/K Ventilhuspakning	6025812	GB19299TK962	101	126
9b Ventilhuspakning	6025995	9GN00400	101	126
10 Systernepakning	6026555	GB1929900320	97	121
11b Rustfrie hengsler til harplastsete GB1919902070		GB1919901840	262	327
11c Rustfrie hengsler	6025838	GB1919901834	434	543
13 Avstengningsventil	6025675	GB1929900503	182	228
14 Systernebolt	6026527	GB1929900319	230	288
16 Dekkluke f/2300, 2340	6025833	GB1929903410	216	270
17 Standard propensete, hvitt	6096503	GB1919902002	323	404
18a Sete m/ SC/QR, hvitt	6025518	8M56S101	1.599	1.999
18b Dekkelokk for demper		GB1919901841	66	83
19a Skruepose gulv: 4 skruer, 4 dekkpropper, 4 limpropper	6025633	GB1929900365	97	121
19b Limplugg f/festehull i foten (4 st)	6025634	GB1929900168	51	64





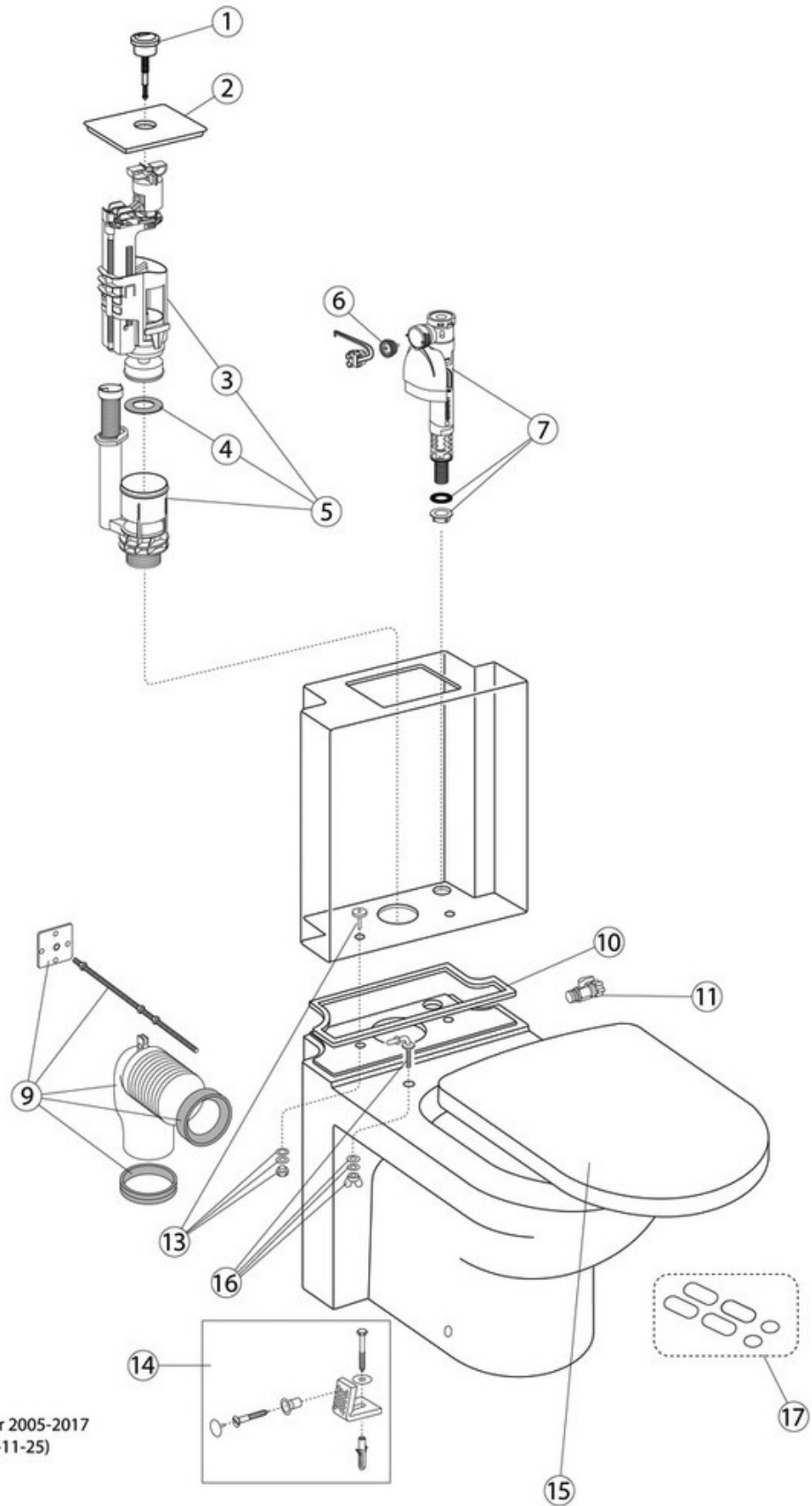
DETALJENUMMER OG PRODUKT	NRF. NR.	ART. NR.	VEIL. PRIS EKS. MVA.	VEIL. PRIS INKL. MVA.
1 Lokkmutter	6025686	GB1929901545	82	103
2a ST-14 trykknapp til sisterner	6025755	GB1929900278	139	174
2b Trykknapp for 394		GB1929953951	108	135
2c Trykknapp	6026035	9GS01561	339	424
3a ST-14 sisternelokk med trykknapp	6026591	GB1929900283	401	501
3b Sisternelokk m/trykknapp til Nordic Duo	6026592	GB1929900361	424	530
3c NT-27 Trykknapp/Ramme, Arctic, hvit**	6026389	GB1929900324	258	323
4a ST-Bunnventil	6026581	GB1929900282	456	570
4b U3 utskiftningsventil, duo	6195241	GB19299M2937	873	1.091
4c Utløpsventil med trykknapp duo	6026037	GB19299N2953	609	761
4d Utløpsventil for 339	6026772	9GN01761	663	829
5 ST-22 Løfteanordning	6026373	GB1929900209	170	213
6a Sisterner uten lokk, uten armatur	6024346	GB1042900101	2.210	2.763
6b Ditto til toalett 398	6025756	GB1042980101	3.158	3.948
7a Membran til innløpsventil GB1929901972	6025895	GB19299P0206	189	236
7b Membran	6025985	9GN00300	124	155
8 Ventilball Universal	6026212	GB1929900260	139	174
9 ST-2 senterstang	6025845	GB1929900347	103	129
10 Sisternepakning	6026555	GB1929900320	97	121
11a Innløpsventil	6195242	9GN00210	712	890
11b Innløpsventil for sideforbinding	6025896	GB1929901974	917	1.146
12 Sisternebolt	6026527	GB1929900319	230	288
13 Avstengningsventil	6025675	GB1929900503	182	228
14 Rustfrie fester (par)	6026519	GB1919901831	464	580
15a Standardsete, hvit	6025412	GB1919901702	323	404
15b Sete m/SC/QR, hvit	6025518	8M56S101	1.599	1.999
15c Hardplastsete med rustfrie fester, hvit	6025414	GB1919901950	1.298	1.623
16 Skruepose (skruer/plugger/limplugger 4 st)	6025633	GB1929900365	97	121
x Forkrommet nippel 1/2 m/ silfilter		GB1929900388	113	142
x Forkrommet nippel 1/2 m/ pakning	6026266	GB1929900058	130	163



Toilet Nordic 300 yr 2003-2017
(Rev 2. 2022-11-25)

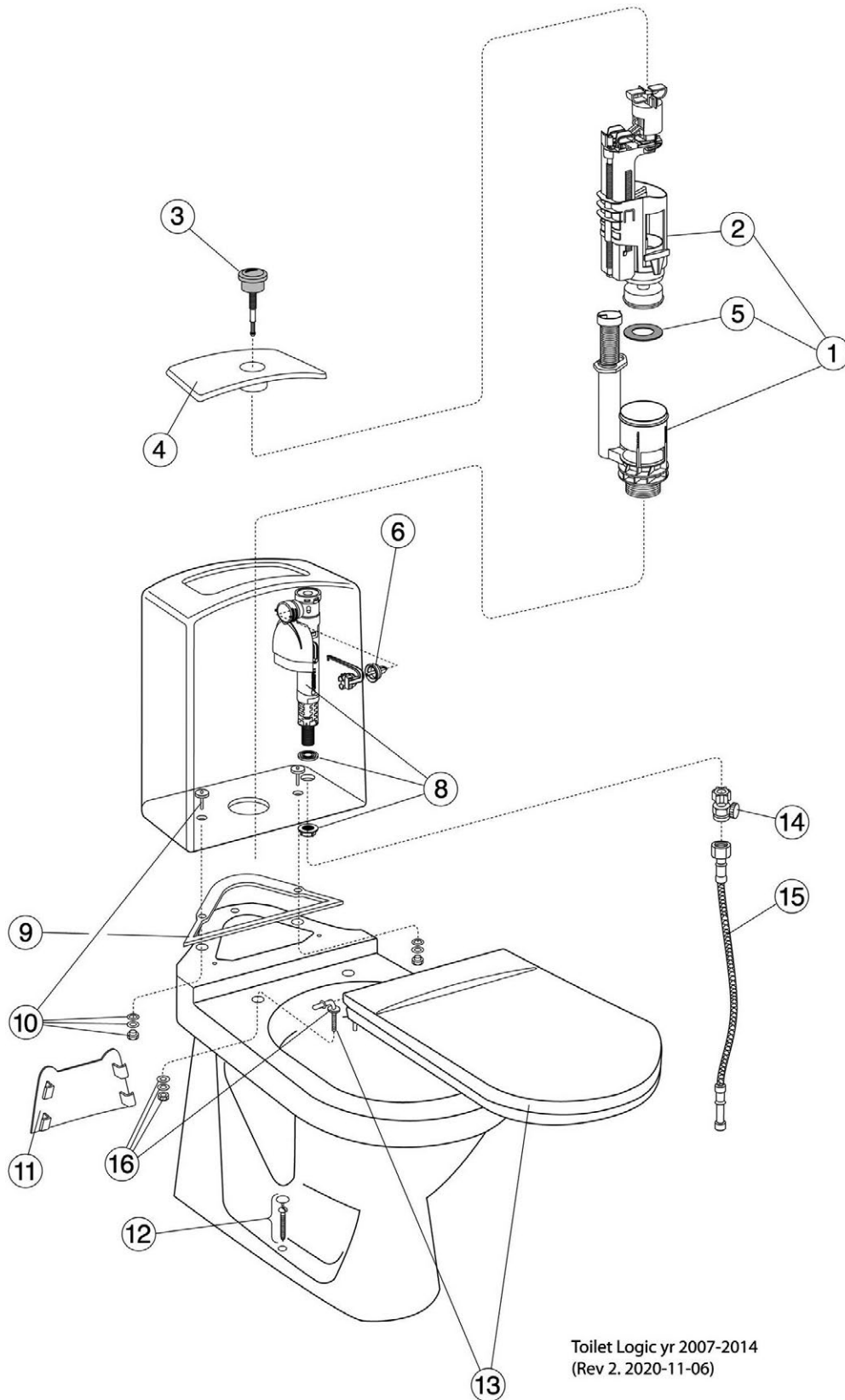


DETALJENUMMER OG PRODUKT	NRF. NR.	ART. NR.	VEIL. PRIS EKS. MVA.	VEIL. PRIS INKL. MVA.
1a T2 Trykknapp duo, krom	6025882	GB19299T2951	290	363
1b T1 Trykknapp duo, krom	6025808	GB19299T1951	290	363
1c Trykknapp	6026035	9GS01561	339	424
1d Trykknapp duo til ventil GB19299N2953		GB19299N2951	255	319
2 T2 Sистерnelokk	6025839	GB19299U1931	244	305
3 Utløpsventil for 339	6026772	9GN01761	663	829
4 Utløpsventil med trykknapp duo	6026037	GB19299N2953	609	761
5a Ventilhuspakning til sистерne 9GS01600		9GS01700	55	69
5b T2/T1/K Ventilhuspakning	6025812	GB19299TK962	101	126
6 Sистерne uten lokk, uten armatur	6024346	GB1042900101	2.210	2.763
7a Membran til innløpsventil GB1929901972	6025895	GB19299P0206	189	236
7b Membran	6025985	9GN00300	124	155
8 Sистерnebolt	6026527	GB1929900319	230	288
9a Standardsete, hvit	6025412	GB1919901702	323	404
9b Sete m/SC/QR, hvit	6025518	8M56S101	1.599	1.999
9c Hardplastsete med rustfrie fester, hvit	6025414	GB1919901950	1.298	1.623
10 Sистерnepakning	6026555	GB1929900320	97	121
11a Innløpsventil	6195242	9GN00210	712	890
11b Innløpsventil for sideforbinding	6025896	GB1929901974	917	1.146
12 Rustfrie fester (par)	6026519	GB1919901831	464	580
13 Avstengningsventil	6025675	GB1929900503	182	228
14 Skruepose (skruer/plugger/limplugger 4 st)	6025633	GB1929900365	97	121
x Forkrommet nippel 1/2 m/ silfilter		GB1929900388	113	142
x Forkrommet nippel 1/2 m/ pakning	6026266	GB1929900058	130	163



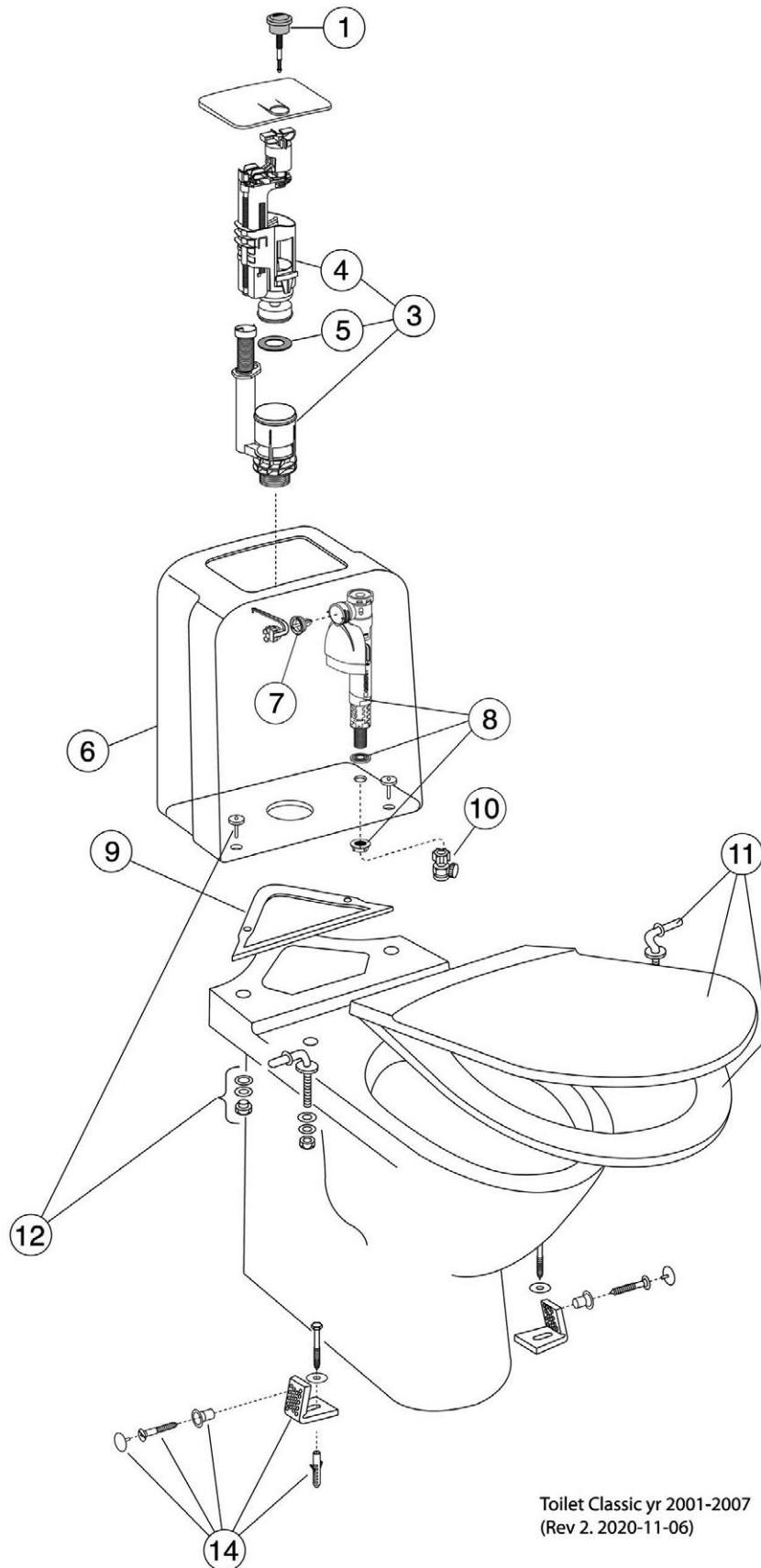
Toilet Artic yr 2005-2017
(Rev 2. 2022-11-25)

DETALJENUMMER OG PRODUKT	NRF. NR.	ART. NR.	VEIL. PRIS EKS. MVA.	VEIL. PRIS INKL. MVA.
1a Trykknapp duo for ventil 9GS01600, krom	6026035	9GS01561	339	424
1b T2 Trykknapp Duo, krom	6025882	GB19299T2951	290	363
1c Trykknapp duo for ventil GB19299N2953		GB19299N2951	255	319
2 T2 sisternelokk Artic	6025901	GB1929900500	236	295
3 Ventil Duo med trykknapp	6026037	GB19299N2953	609	761
4a Ventilhuspakning til sisterne 9GS01600		9GS01700	55	69
4b T1/T2/K Ventilhuspakning	6025812	GB19299TK962	101	126
5 Utløpsventil universal med trykknapp	6026772	9GN01761	663	829
6 Membran til ventil GB1929901972	6025895	GB19299P0206	189	236
7 Innløpsventil	6195242	9GN00210	712	890
9 Avløpsstuss variobend	6087566	87110000	1.459	1.824
10 Sisternepakning	6025904	GB1929900504	115	144
11 Avstengningsventil	6025675	GB1929900503	182	228
13 Sisternebolter	6025905	GB1929900505	221	276
14 Gulvfeste	6025847	GB1929900381	244	305
15a Hardplastsete m/ SC/QR, hvitt	6025508	9M16S101	2.447	3.059
15b Hardplastsete m/ SC/QR, sort	6025509	9M16S136	3.022	3.778
15c Hardplastsete m/rustfrie fester, sort		98895136	1.100	1.375
16a Hengsler f/ 98895101 og 98895136 (år 2014-)		92223561	387	484
16b Soft close / quick release hengsler		92241761	616	770
17 Støtputer f/ artic 9M16S101 og Nordic3 9967B101		92242201	247	309



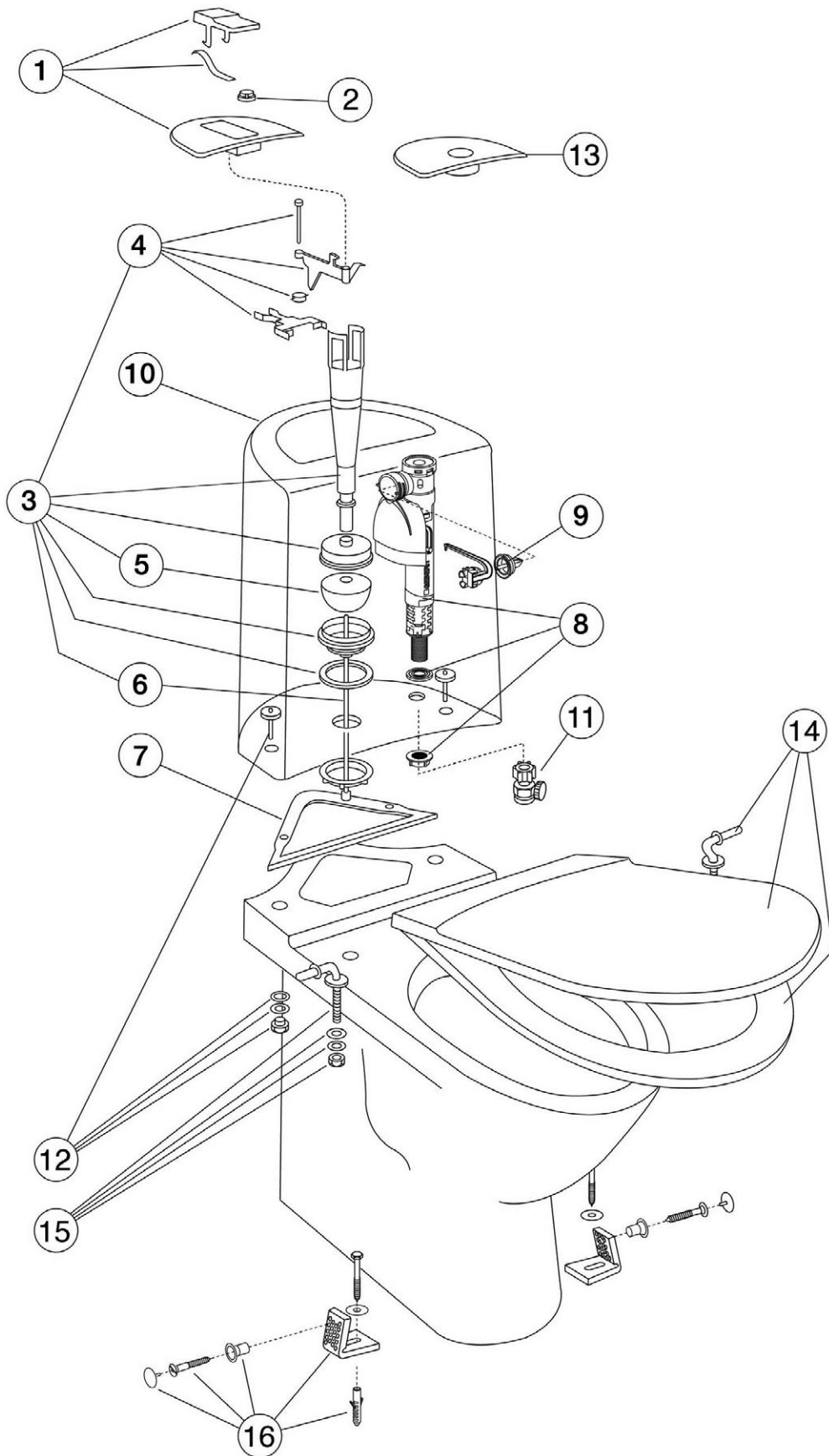
Toilet Logic yr 2007-2014
(Rev 2. 2020-11-06)

DETALJENUMMER OG PRODUKT	NRF. NR.	ART. NR.	VEIL. PRIS EKS. MVA.	VEIL. PRIS INKL. MVA.
1 Utløpsventil universal med trykknapp	6026772	9GN01761	663	829
2 Ventil Duo med trykknapp	6026037	GB19299N2953	609	761
3a Trykknapp duo, krom	6026035	9GS01561	339	424
3b T2 Trykknapp Duo, krom	6025882	GB19299T2951	290	363
3c Trykknapp duo f/ ventil GB19299N2953		GB19299N2951	255	319
4 Sистерnelokk	6024965	8193B901	467	584
5a Ventilhuspakning		9GS01700	55	69
5b T2/T1/K ventilhuspakning	6025812	GB19299TK962	101	126
6a Membran f/ ventil GB1929901972	6025895	GB19299P0206	189	236
6b Membran	6025985	9GN00300	124	155
8 Innløpsventil	6195242	9GN00210	712	890
9 Sистерnepakning f/toalett 5696 P-lås	6025924	GB1929900506	96	120
10 Sистерnebolt	6026527	GB1929900319	230	288
11 Dekkluke 5696	6025833	GB1929903410	216	270
12a Skruerpose (skruer/plugger/limplugger 4 st)	6025633	GB1929900365	97	121
12b Limplugger for festehull i fot (4 stk)	6025634	GB1929900168	51	64
13a Hardplastsete m/ rustfrie fester	6025517	9M016101	1.265	1.581
13b Hardplastsete m/ SC feste, sort	6025404	9M11S136	2.413	3.016
13c Hardplastsete m/ SC feste, hvit	6025511	9M11S101	1.842	2.303
14 Avstengningsventil	6025675	GB1929900503	182	228
16a Rustfrie sистерnefeste f/sete 9M016101	6026515	9M010161	439	549
16b Festedetaljer f/ SC seter	6025631	GB1919901845	667	834

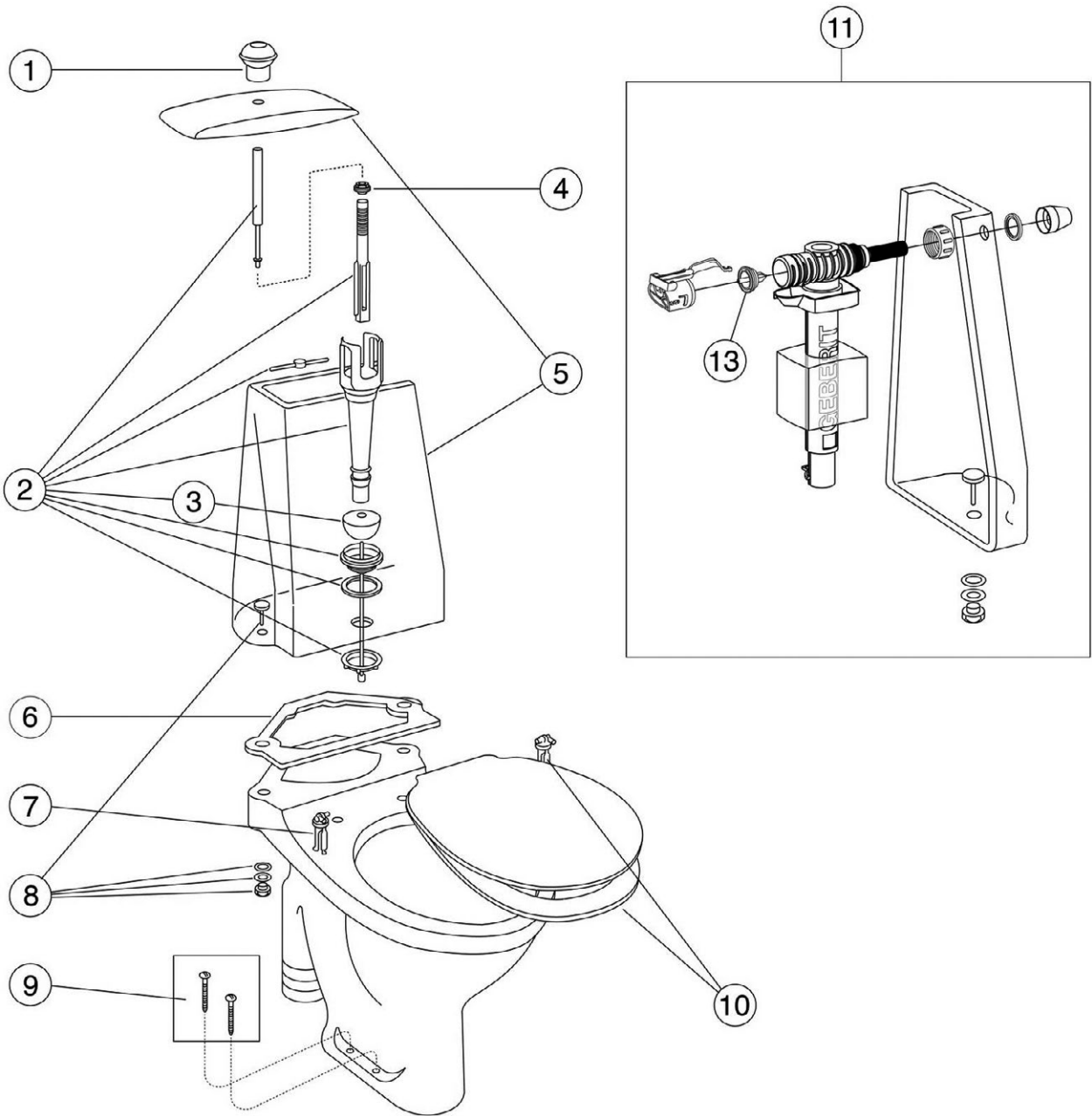


Toilet Classic yr 2001-2007
(Rev 2. 2020-11-06)

DETALJENUMMER OG PRODUKT	NRF. NR.	ART. NR.	VEIL. PRIS EKS. MVA.	VEIL. PRIS INKL. MVA.
1a T2 Trykknapp Duo, krom	6025882	GB19299T2951	290	363
1b T1 Knapp Duo	6025808	GB19299T1951	290	363
1c Trykknapp duo, krom f/ 9GS01600	6026035	9GS01561	339	424
1d Trykknapp duo, f/ ventil Gb19299N2953		GB19299N2951	255	319
3 Utløpsventil universal med trykknapp	6026772	9GN01761	663	829
4 Ventil Duo med trykknapp	6026037	GB19299N2953	609	761
5a Ventilhuspakning f/ sisterne 9GS01600		9GS01700	55	69
5b Ventilhuspakning	6025812	GB19299TK962	101	126
6 Sisterner u/lokk og u/armatur f/360,364	6024339	GB1042640101	2.506	3.133
7a Membran f/ ventil GB1929901972	6025895	GB19299P0206	189	236
7b Membran	6025985	9GN00300	124	155
8 Innløpsventil	6195242	9GN00210	712	890
9 Sinternepakning	6025557	GB1929900344	154	193
10 Avstengningsventil	6025675	GB1929900503	182	228
11a Hardplastsete m/rustfrie fester, hvit	6025419	GB1919901601	1.869	2.336
11b Hardplastsete m/rustfrie fester, sort	6025513	GB1919901610	2.216	2.770
12 Sisternebolt, par	6025846	GB1929900356	322	403
14 Gulvfeste	6025847	GB1929900381	244	305



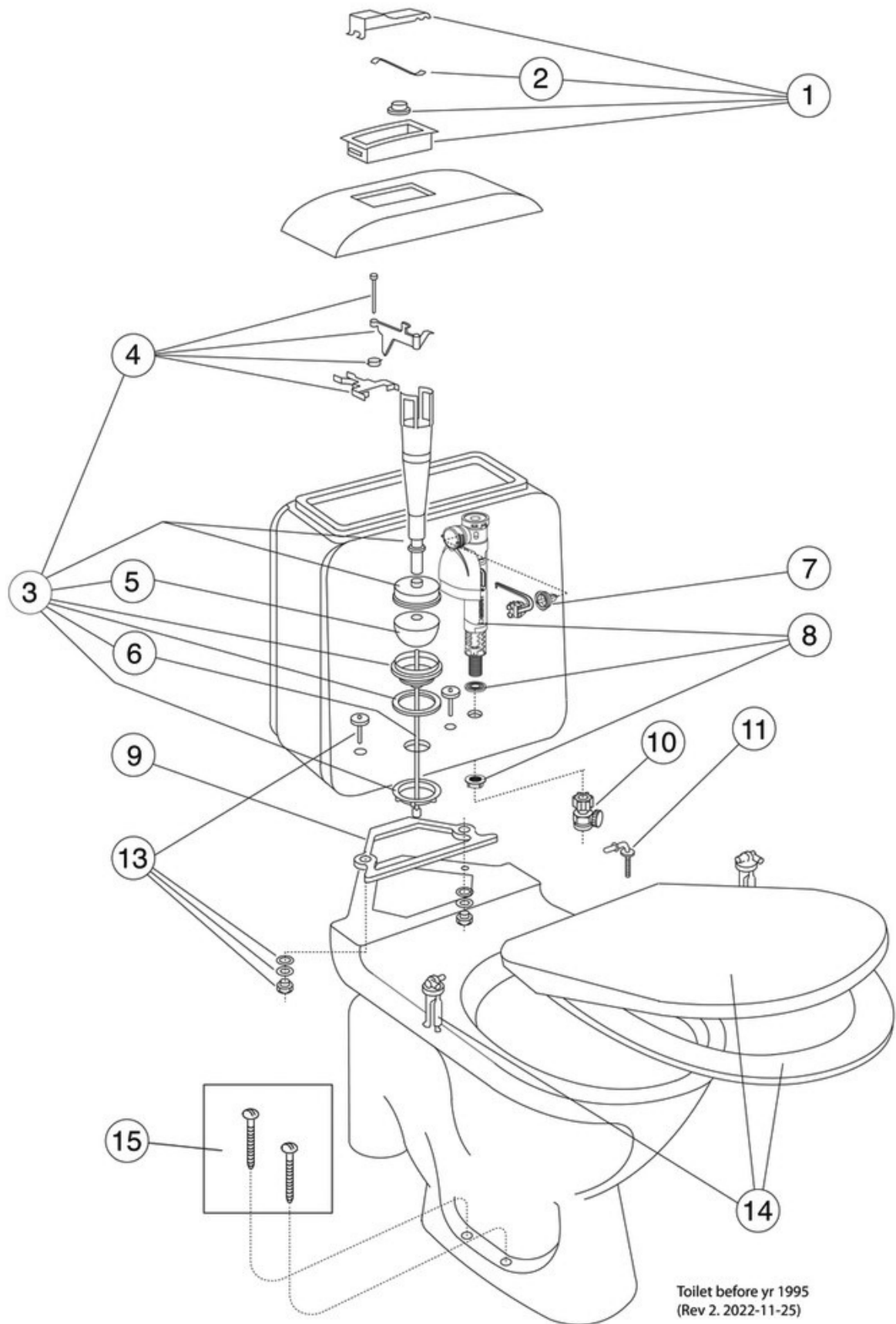
DETALJENUMMER OG PRODUKT	NRF. NR.	ART. NR.	VEIL. PRIS EKS. MVA.	VEIL. PRIS INKL. MVA.
1 ST-24 Sистерnelokk m/trykknapp, hvit	6024976	GB1929900338	746	933
2 Lokkmutter	6025686	GB1929901545	82	103
3a ST-Bunnventil	6026581	GB1929900282	456	570
3b U3 utskiftningsventil, duo	6195241	GB19299M2937	873	1.091
4 ST-22 Løftestang	6026373	GB1929900209	170	213
5 NP/NT/ST Ventilball		GB1929900245	139	174
6 ST-2 senterstang	6025845	GB1929900347	103	129
7 Sистерnepakning	6025557	GB1929900344	154	193
8 Innløpsventil	6195242	9GN00210	712	890
9a Membran f/ ventil GB1929901972	6025895	GB19299P0206	189	236
9b Membran	6025985	9GN00300	124	155
11 Avstengningsventil	6025675	GB1929900503	182	228
12 Sистерnebolt, par	6025846	GB1929900356	322	403
13 Sистерnelokk Skandic, rund knapp	6024964	GB19299T2800	497	621
14a Hardplastsete m/rustfrie fester, hvit	6025419	GB1919901601	1.869	2.336
14b Hardplastsete m/rustfrie fester, sort	6025513	GB1919901610	2.216	2.770
16 Gulvfeste	6025847	GB1929900381	244	305





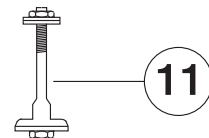
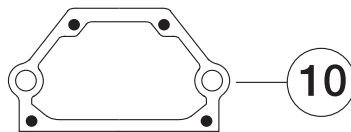
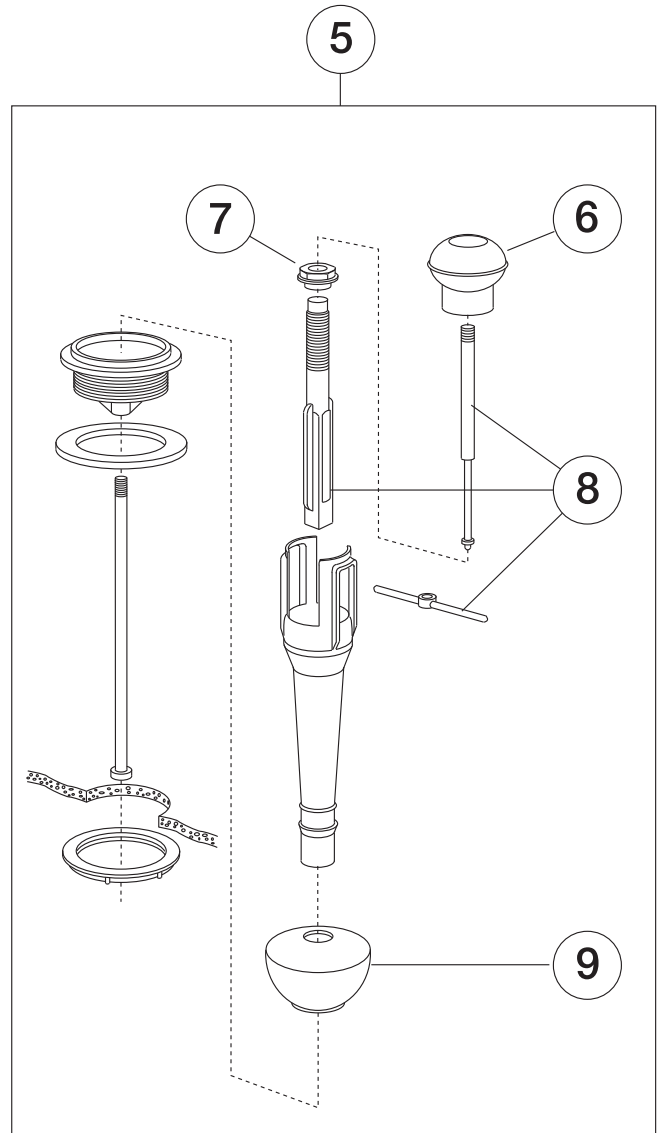
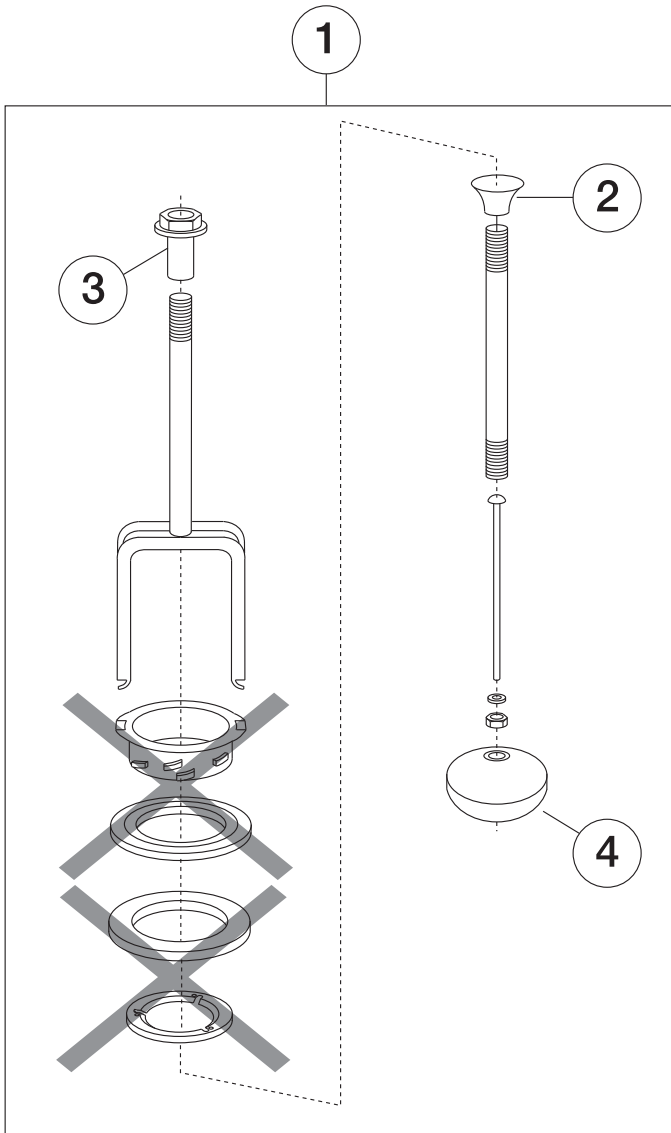
Reservevedeler - Barnetoalett 305 år 1950-

DETALJENUMMER OG PRODUKT	NRF. NR.	ART. NR.	VEIL. PRIS EKS. MVA.	VEIL. PRIS INKL. MVA.
1 NP-11 Løfteknott	6026414	GB1929900237	116	145
2 NP-20 Bunnventil (år 1982-)	6026421	GB1929900238	804	1.005
3 NP/NT/ST Ventilball		GB1929900245	139	174
4 NP-10 Lokkmutter	6026411	GB1929900236	93	116
5 Sистерne med lokk, uten armatur (år 1992-)	6024327	GB1042060101	3.813	4.766
6 Sистерnepakning	6026545	GB1929900316	115	144
7 Ekspansjonsfeste f/propensete	6026511	GB1929901453	90	113
8 Sистерnebolt	6026525	GB1929900217	230	288
9 Skruerpose (skruer/plugger/limplugger 4 st)	6025633	GB1929900365	97	121
10a Hvit propensete f/305 med lokk	6025406	GB1919900910	1.654	2.068
10b Hvit propensete f/305 uten lokk	6025407	GB1919901286	429	536
11 Innløpsventil m/sidetilkobling	6025896	GB1929901974	917	1.146
12 Membran f/GB1929901972	6025895	GB19299P0206	189	236



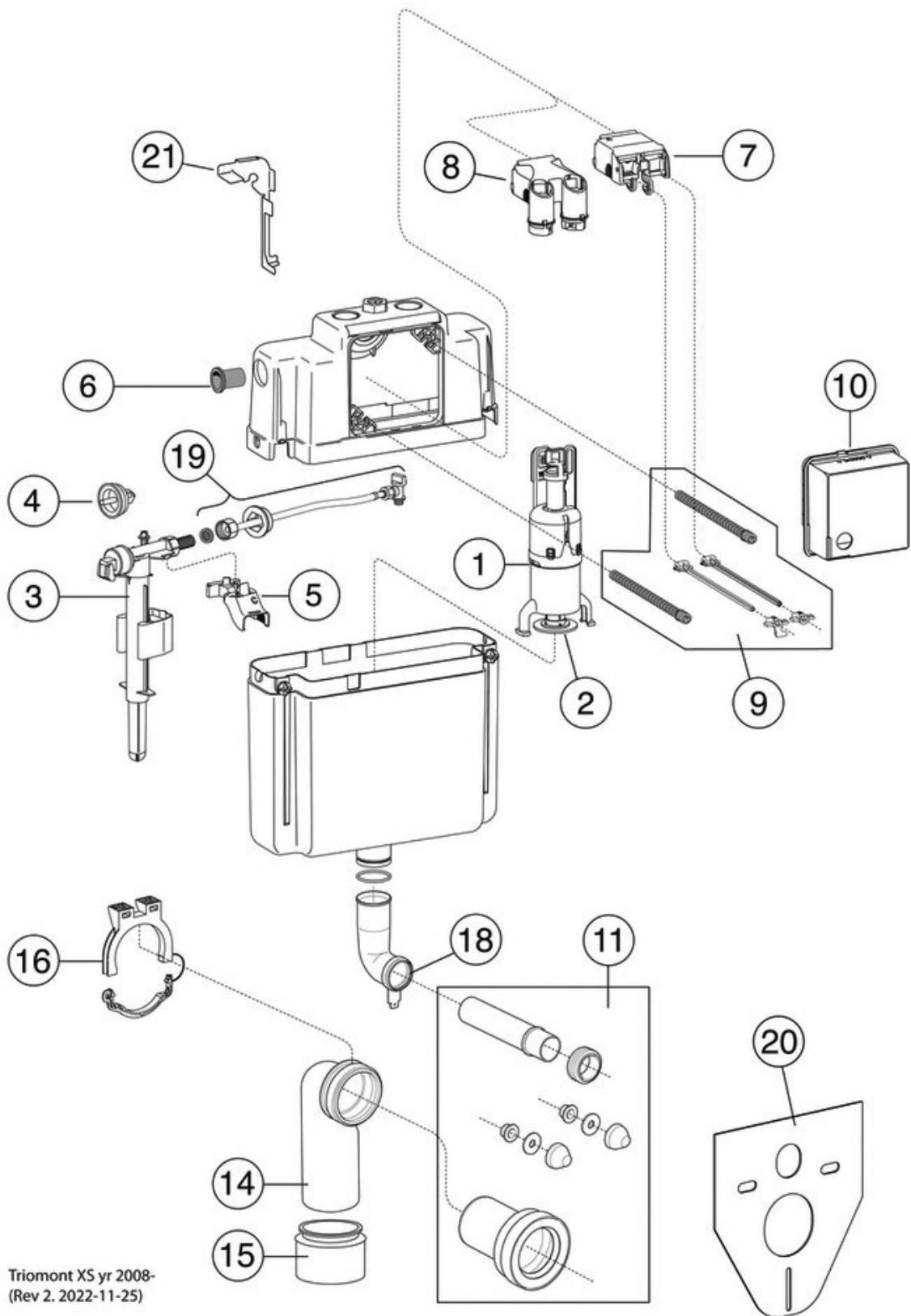
Toilet before yr 1995
(Rev 2. 2022-11-25)

DETALJENUMMER OG PRODUKT	NRF. NR.	ART. NR.	VEIL. PRIS EKS. MVA.	VEIL. PRIS INKL. MVA.
1a NT-21 trykknapp/ramme, hvit	6026366	GB1929900208	275	344
1b NP-11 Løfteknott	6026414	GB1929900237	116	145
1c NP-10 Lokkmutter	6026411	GB1929900236	93	116
1d NC-10 Løfteknapp	6026221	GB1929900291	118	148
1e NC-8 Lokkmutter	6025922	GB1929900332	44	55
2 Fjær	6025848	GB1929901244	67	84
3a ST-Bunnventil	6026581	GB1929900282	456	570
3b NP-20 løfteventil	6026421	GB1929900238	804	1.005
3c NC Bunnventil til samtlige modeller, utenom 305 og gamle 360	6026201	GB1929900211	874	1.093
4a ST-22 løfteanordning	6026373	GB1929900209	170	213
4b NP-21 Løftestang	6025923	GB1929900239	254	318
5 NP/NT/ST Ventilball	6026212	GB1929900260	139	174
6 ST-2 senterstang	6025845	GB1929900347	103	129
7a Membran f/ ventil GB1929901972	6025895	GB192990206	189	236
7b TF-11 membran	6026247	GB1929900229	97	121
7c TP-10 Membran	6026282	GB1929900330	82	103
7d Membran	6025985	9GN00300	124	155
8a Innløpsventil	6195242	9GN00210	712	890
8b Innløpsventil sidekople	6025896	GB1929901974	917	1.146
8c Silfilter, pakning	6026244	GB1929900228	97	121
8d Servoventil	6026262	GB1929900233	203	254
9 Systernepakning f/toalett 325	6026541	GB1929900216	97	121
10 Avstengningsventil	6025675	GB1929900503	182	228
11 Rustfrie fester, stillbare	6026518	GB1919901830	202	253
12 Hvitt universalsete f/325	6025415	GB1919901900	1.318	1.648
13 Systernebolt f/315/325	6026525	GB1929900217	230	288
14a Hvitt propensete f/325	6025411	GB1929900226	429	536
14b Hvitt Standardsete m/ QR hengsler	6025408	GB1929900227	492	615
15 Skruerpose (skrue/plugger/limplugger 4 st)	6025633	GB1929900365	97	121



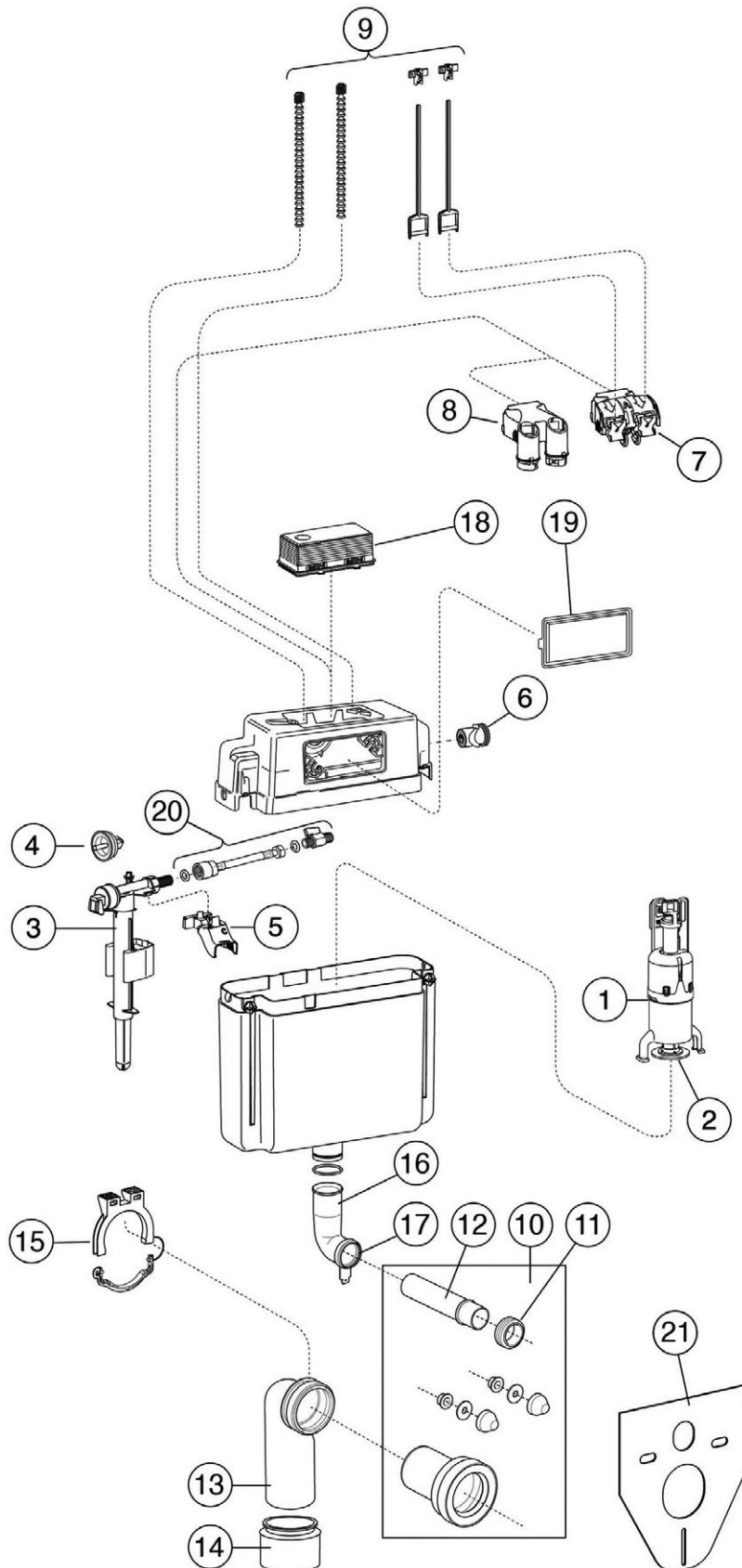


DETALJENUMMER OG PRODUKT	NRF. NR.	ART. NR.	VEIL. PRIS EKS. MVA.	VEIL. PRIS INKL. MVA.
1 NC Bunnventil til samtlige modeller prod. før 1982 utenom 305 og gamle 360	6026201	GB1929900211	874	1.093
2 NC-10 Løfteknapp	6026221	GB1929900291	118	148
3 NC-8 Lokkmutter	6025922	GB1929900332	44	55
5 NP-20 løfteventil	6026421	GB1929900238	804	1.005
6 NP-11 Løfteknott	6026414	GB1929900237	116	145
7 NP-10 toppmutter	6026411	GB1929900236	93	116
8 NP-21 Løfestang	6025923	GB1929900239	254	318
9 NP/NT/ST Ventilball universal	6026212	GB1929900260	139	174
10 Systernepakning f/ 315/325	6026541	GB1929900216	97	121
11 Systernebolt f/315/325	6026525	GB1929900217	230	288

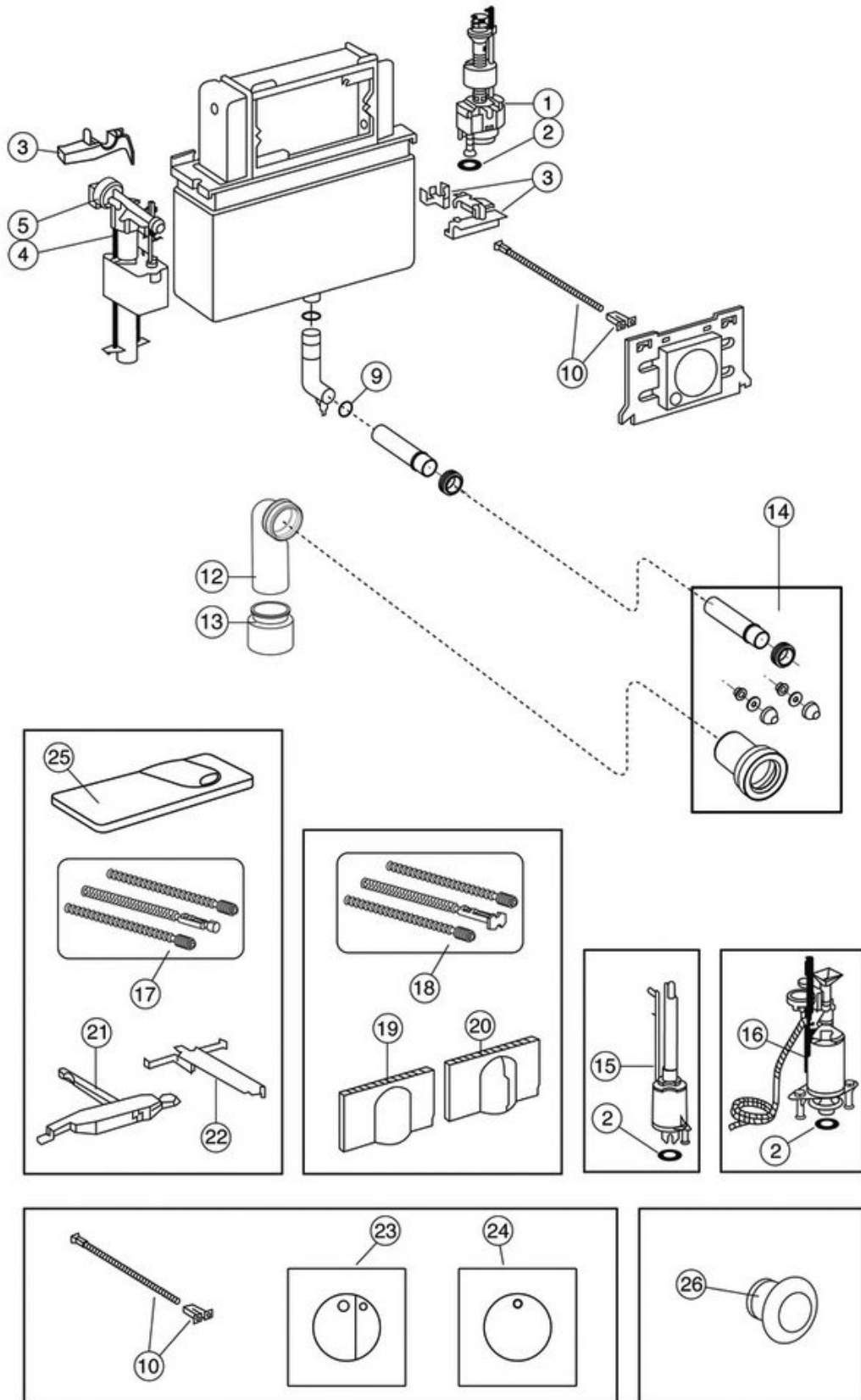


Triomont XS yr 2008-
(Rev 2. 2022-11-25)

DETALJENUMMER OG PRODUKT	NRF. NR.	ART. NR.	VEIL. PRIS EKS. MVA.	VEIL. PRIS INKL. MVA.
1a Bunnventil Duo/Enkel	6025943	GB1921100370	523	654
1b Bunnventil 4,5/3 I		GB1921100399	452	565
2 Tetning bunnventil	6025944	GB1921100371	213	266
3 Innløpsventil	6025945	GB1921100372	767	959
4 Membran	6025946	GB1921100373	202	253
5 Feste innløpsventil	6025947	GB1921100375	219	274
6 Hylse, innkommende vann	6025667	GB1921100392	392	490
7 Mekanisk løfteanordning XS	6025949	GB1921100377	304	380
8 Pneumatisk løfteanordning	6025626	GB1921100394	516	645
9a Sett med fiksering/manøverpinner enkelspylning XS	6025951	GB1921100378	287	359
9b Sett med fiksering/manøverpinner dobbelspylning XS	6025952	GB1921100379	304	380
10 Beskyttelseskappe XS	6025961	GB1921100387	275	344
11 Sett toalett-tilkopl. Spylørør L= 300 mm Tilkopling spylørør Avløpsrør L = 300 mm Veggmonteringssett	6025953	GB1921100380	927	1.159
12 Tilkopling spylørør	6025954	GB1921100381	213	266
13 Spylørør L= 300 mm	6025752	GB1921100111	278	348
14 Avløpsbend 90x90 mm	6025955	GB1921100382	534	668
15 Exsenter 90x110 mm	6025956	GB1921100383	416	520
16 Fiksering avløpsbend	6025957	GB1921100384	244	305
17 Spylørør med feste XS	6025958	GB1921100385	360	450
18 Tetningsring spylørør XS	6025959	GB1921100386	210	263
19 Fleksibel tilkoblingsslangesett XS		GB1921100369	879	1.099
20 Pakning mot vegg bak toalett	6025673	GB1921100388	151	189
21 Rep. sett for feste m/trykknapp		GB1921100389	226	283



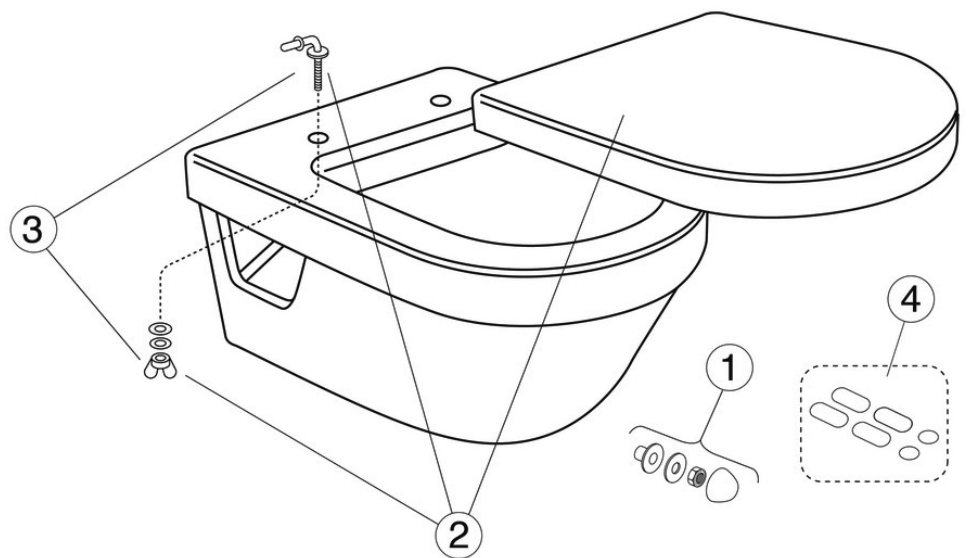
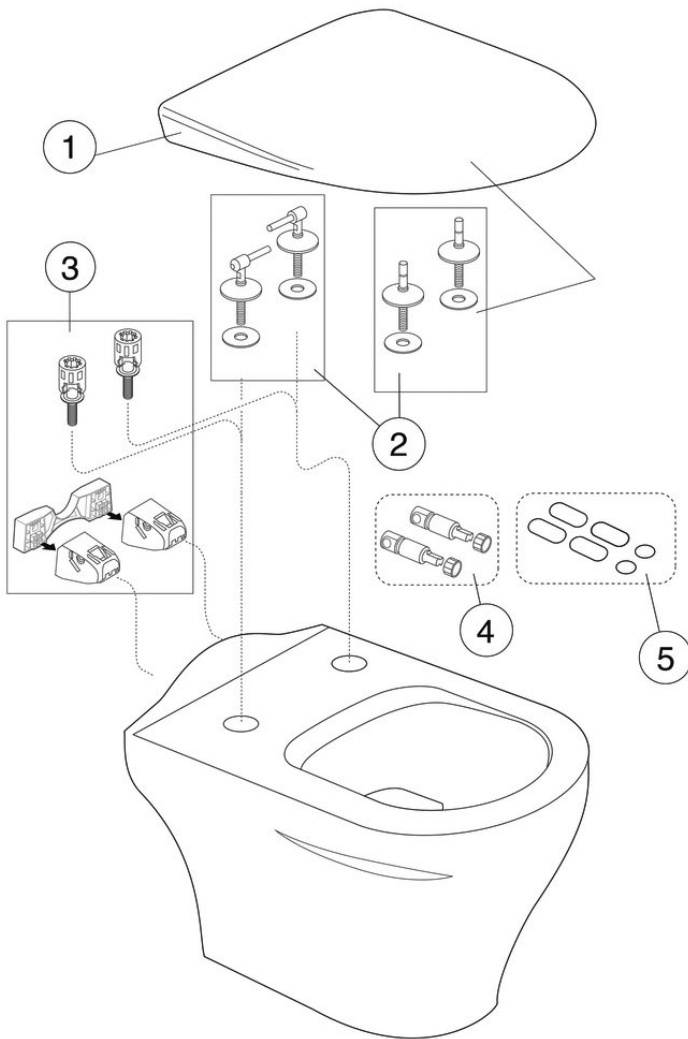
DETALJENUMMER OG PRODUKT	NRF. NR.	ART. NR.	VEIL. PRIS EKS. MVA.	VEIL. PRIS INKL. MVA.
1 Bunnventil	6025943	GB1921100370	523	654
2 Tetning bunnventil	6025944	GB1921100371	213	266
3 Flottørventil	6025945	GB1921100372	767	959
4 Membran	6025946	GB1921100373	202	253
5 Feste flottørventil	6025947	GB1921100375	219	274
6 Hylse, innkommende vann	6025667	GB1921100392	392	490
7 Feste med løftekrok XT	6025627	GB1921100395	304	380
8 Pneumatisk løfteanordning	6025626	GB1921100394	516	645
9 Sett med fiksering/manøverpinner XT	6025666	GB1921100391	304	380
10 Sett toalett tilkpl. Spylørør L= 300 mm Tilkopling spylørør Avløpsrør L = 300 mm Veggmonteringssett	6025953	GB1921100380	927	1.159
11 Tilkopling spylørør	6025954	GB1921100381	213	266
12 Spylørør L= 300 mm	6025752	GB1921100111	278	348
13 Avløpsbend 90x90 mm	6025955	GB1921100382	534	668
14 Eksenter 90x110 mm	6025956	GB1921100383	416	520
15 Fiksering avløpsbend	6025957	GB1921100384	244	305
16 Spylørør med feste	6025639	GB1921100397	244	305
17 Tetningsring spylørør	6025959	GB1921100386	210	263
18 Beskyttelseskappe XT	6025665	GB1921100390	267	334
19 Dekkåpe XT	6025638	GB1921100396	267	334
20 Fleksibel tilkoblingsslangesett	6025668	GB1921100393	504	630
21 Pakning mot vegg bak toalett	6025673	GB1921100388	151	189
Pneumatisk slange for XS/XT trykkplater	6023008	GB1921100398	194	243



Triomont Universal yr -2008
(Rev 2, 2022-11-25)



DETALJNUMMER OG PRODUKT	NRF. NR.	ART. NR.	VEIL. PRIS EKS. MVA.	VEIL. PRIS INKL. MVA.
1 Bunnventil	6025803	GB1921100095	1.001	1.251
2a Tetning bunnventil, duo	6025871	GB1921100110	65	81
2b Tetning bunnventil enkel/pneumatisk	6025858	GB1921100083	66	83
3 Brygge og feste for utløpsventil	6025865	GB1921100122	323	404
4a Innløpsventil	6025945	GB1921100372	767	959
4b Flekibel tilkoblingsslangesett, XS		GB1921100369	879	1.099
5 Membran innløpsventil	6025946	GB1921100373	202	253
6 Spylørør bend m/feste	6025958	GB1921100385	360	450
7 Spylørør L= 300 mm	6025752	GB1921100111	278	348
8 Tilkopling spylørør	6025954	GB1921100381	213	266
9 Tetningsring spylørør	6025959	GB1921100386	210	263
10 Distanse/låsepinne duo/enkel	6025873	GB1921100114	294	368
11 Beskyttelseskappe	6025874	GB1921100115	323	404
14 Sett toalett tilkopl.	6025953	GB1921100380	927	1.159
15 Bunnventil enkel	6025857	GB1921100082	334	418
16 Bunnventil Pneumatisk	6025856	GB1921100081	2.780	3.475
17 Distanse/låsepinne enkel for pos 15 och 21	6025861	GB1921100094	294	368
18 Distanse/låsepinne duo for pos 16	6025862	GB1921100098	294	368
19 Kompl. frontluke eldre utførelse enkelspylning, hvit	6025351	GB1921101171	767	959
20 Kompl. frontluke duo	6025729	GB1921101178	791	989
21 Hevearm Triomont 2903	6025863	GB1921100099	148	185
22 Brygge Triomont 2903	6025877	GB1921100118	115	144
23 Frontpanel Triomont Universal, Duo, hvit	6025737	GB1921102010	586	733
24 Frontpanel Triomont Universal, enkelspylning	6025738	GB1921102011	586	732
25 Toppbetjent panel, hvit	6025727	GB1921101191	466	583
26 Pneumatisk trykknapp, krom	6025733	GB1921101194	614	768

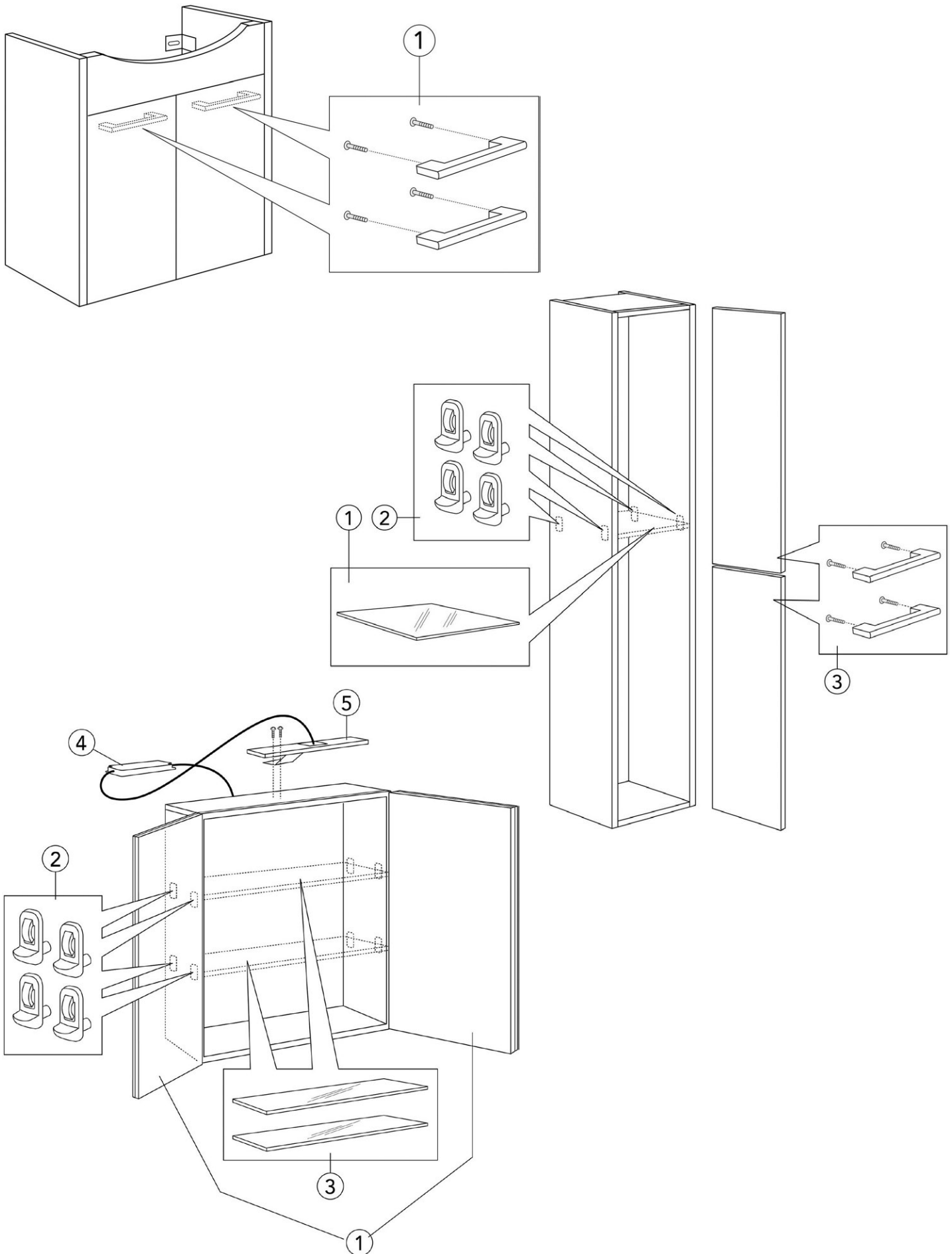


Estetic 8330

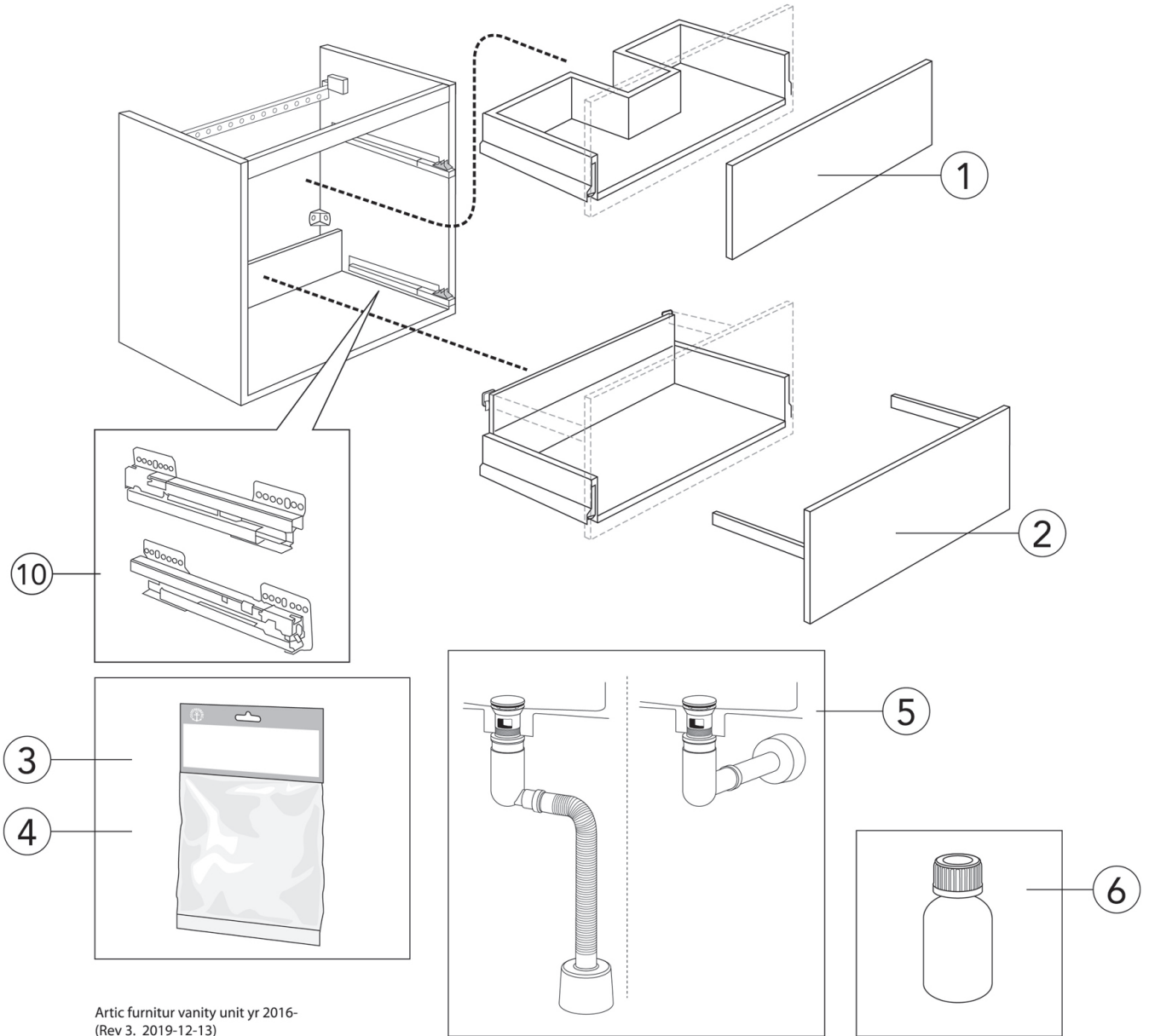
DETALJENUMMER OG PRODUKT	NRF. NR.	ART. NR.	VEIL. PRIS EKS. MVA.	VEIL. PRIS INKL. MVA.
1a Sete med SC/QR, hvit	6025464	9M09S101	1.990	2.488
1b Sete med SC/QR, sort	6025465	9M09S136	2.695	3.369
1c Sete med SC/QR, Ebony (matt sort)	6025483	9M09S133	2.801	3.501
2a Setefeste til SC/QR sete	6025964	92212261	697	871
2b Rustfrie fester	6025965	92213061	376	470
3 Suprafix		92226300	505	631
4 Demper til SC/QR sete	6025966	92213300	246	308

Hygienic Flush 5G84

DETALJENUMMER OG PRODUKT	NRF. NR.	ART. NR.	VEIL. PRIS EKS. MVA.	VEIL. PRIS INKL. MVA.
1 Veggfeste, f/runde bolthull		92185901	62	79
2a Hardplast sete, rustfrie fester, hvit		98895101	766	958
2b Hardplastsete med SC/QR, sort	6025509	9M16S136	3.022	3.778
2c Hardplastsete, rustfrie fester, sort		98895136	1.100	1.375
2d Hardplastsete med SC/QR, hvit	6025508	9m16s101	2.447	3.059
3a Setefester f/ 9M16S101 og 9M16S136		92241761	616	770
3b Setefester f/ 98895101 og 98895136		92223561	387	484
3c Setefester til harplastsete		92237061	417	521
4 Støtputer		92236800	247	309

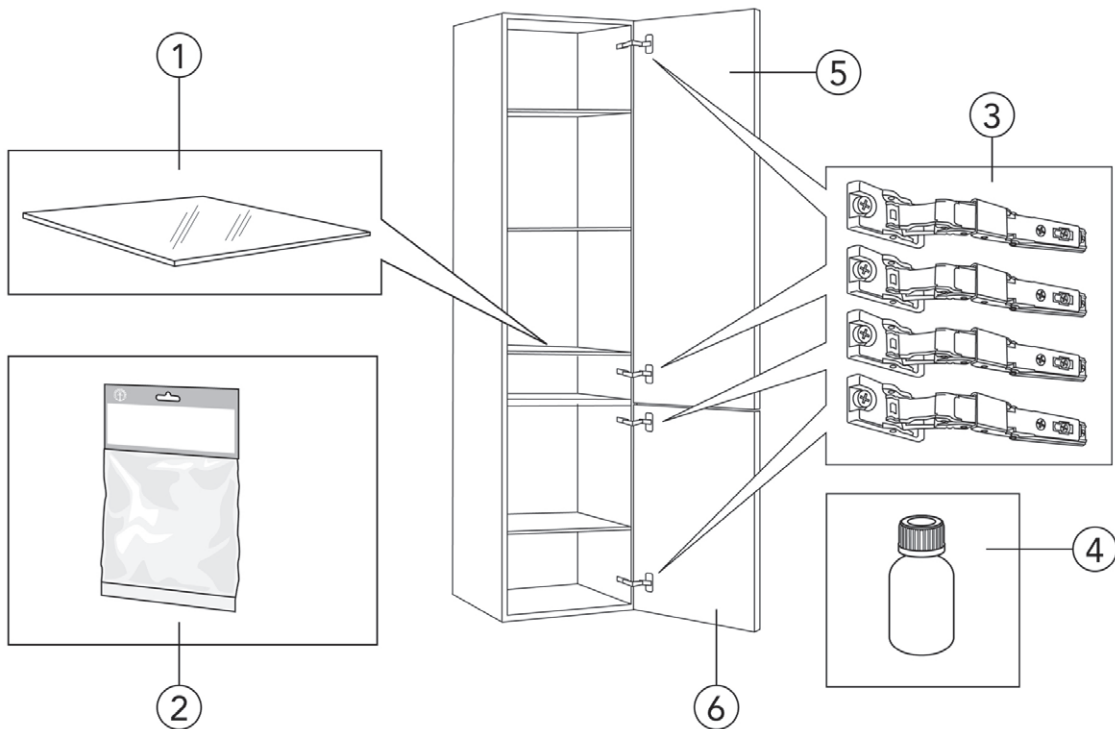
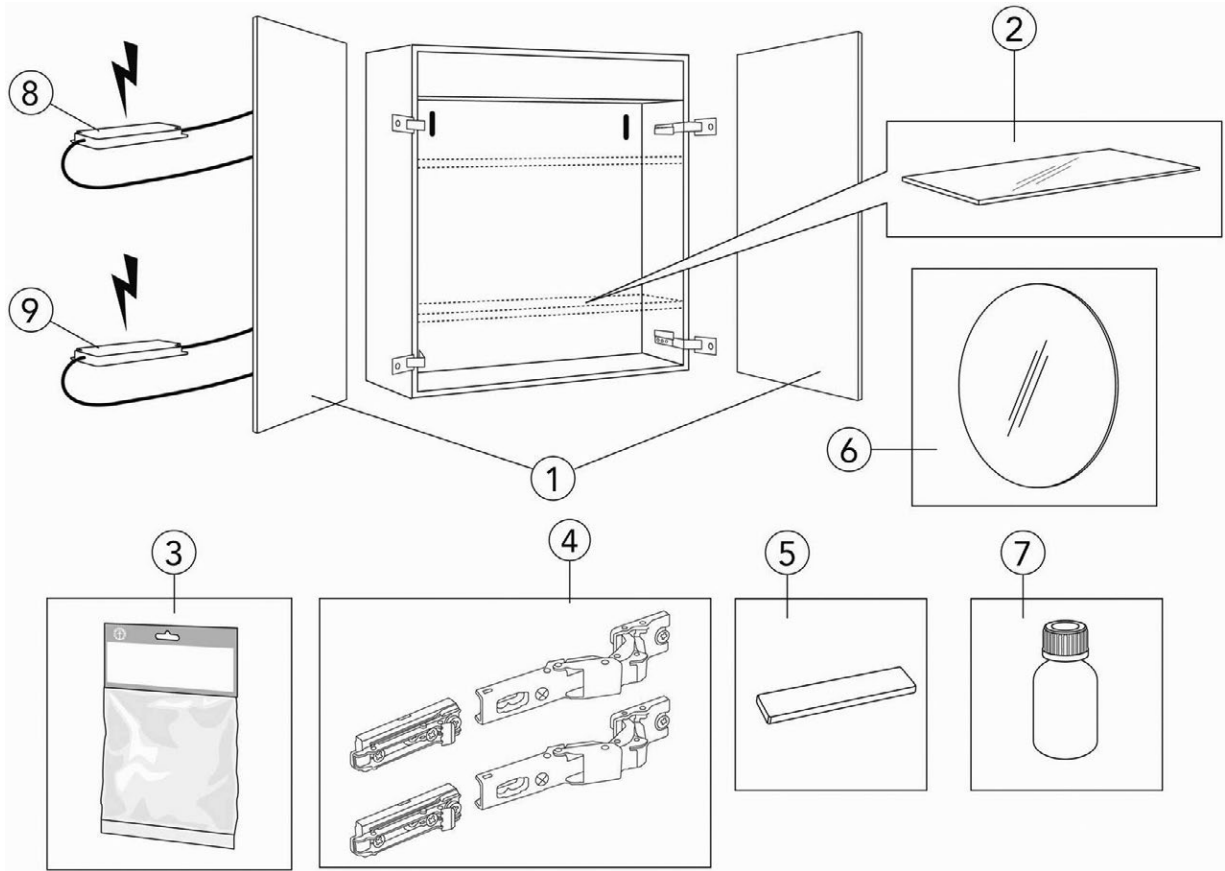


DETALJENUMMER OG PRODUKT	NRF. NR.	ART. NR.	VEIL. PRIS EKS. MVA.	VEIL. PRIS INKL. MVA.
Møbelskap				
1 Håndtak servantskap		B0017900	253	316
Høyskap				
1 Glasshylle		B0017100	307	384
2 Hylleknekter		B0017200	189	236
3 Håndtak		B0290061	253	316
Speilskap				
1a Speildør venstre, hvit		B00177E4	1.006	1.257
1b Speildør høyre, hvit		B00178E4	1.042	1.302
1c Speildør venstre, lys eik		B00177E9	894	1.118
1d Speildør høyre, lys eik		B00178E9	1.042	1.302
2 Hylleknekter		B0017200	392	490
3 Glasshylle		B0017400	638	797
4 Transformator		B0017300	827	1.034
5 LED-belysning		92246700	1.161	1.452



Artic furnitur vanity unit yr 2016-
(Rev 3. 2019-12-13)

DETALJENUMMER OG PRODUKT	NRF. NR.	ART. NR.	VEIL. PRIS EKS. MVA.	VEIL. PRIS INKL. MVA.
1a Skuffefront, øvre, 100 hvit melamin		GB8148000066	1.528	1.910
1b Skuffefront, øvre, 100 hvit rammeluke		GB8148000065	2.621	3.276
1c Skuffefront, øvre, 100 eik svart		GB8148000064	3.058	3.822
1d Skuffefront, øvre, 100 hvit		GB8148000063	1.965	2.456
1e Skuffefront, øvre, 80 hvit melamin		GB8148000062	1.419	1.774
1f Skuffefront, øvre, 80 hvit rammeluke		GB8148000061	2.184	2.730
1g Skuffefront, øvre, 80 eik svart		GB8148000060	2.621	3.276
1h Skuffefront, øvre, 80 hvit		GB8148000059	1.747	2.184
1i Skuffefront, øvre, 60 eller 120 hvit melamin		GB8148000058	1.202	1.502
1j Skuffefront, øvre, 60 eller 120 hvit rammeluke		GB8148000057	1.419	1.774
1k Skuffefront, øvre, 60 eller 120 eik svart		GB8148000056	2.184	2.730
1l Skuffefront, øvre, 60 eller 120 hvit		GB8148000055	1.965	2.456
2a Skuffefront, nedre, 100 hvit melamin		GB8148000078	1.528	1.910
2b Skuffefront, nedre, 100 eik svart		GB8148000076	3.058	3.822
2c Skuffefront, nedre, 100 hvit		GB8148000075	1.965	2.456
2d Skuffefront, nedre, 100 hvit rammeluke		GB8148000077	2.621	3.276
2e Skuffefront, nedre, 80 hvit melamin		GB8148000074	1.419	1.774
2f Skuffefront, nedre, 80 eik svart		GB8148000072	2.621	3.276
2g Skuffefront, nedre, 80 hvit		GB8148000071	1.747	2.184
2h Skuffefront, nedre, 80 hvit rammeluke		GB8148000073	2.184	2.730
2i Skuffefront, nedre, 60 eller 120 hvit melamin		GB8148000070	1.202	1.502
2j Skuffefront, nedre, 60 eller 120 eik svart		GB8148000068	2.184	2.730
2k Skuffefront, nedre, 60 eller 120 hvit		GB8148000067	1.419	1.774
2l Skuffefront, nedre, 60 eller 120 hvit rammeluke		GB8148000068	1.965	2.456
3 Reservedelspose 3 for 120 cm baderomsskap		GB8148000008	655	818
4 Reservedelspose 2		GB8148000006	437	546
5 Vannlås Easy clean med pop-up		GB8148000002	1.202	1.502
6 Forbedringsfarge Artic & Graphic hvit NCS-S-0500		GB8148000003	196	245
10 Skuffeskiner 350 mm		GB8148000137	1.091	1.364

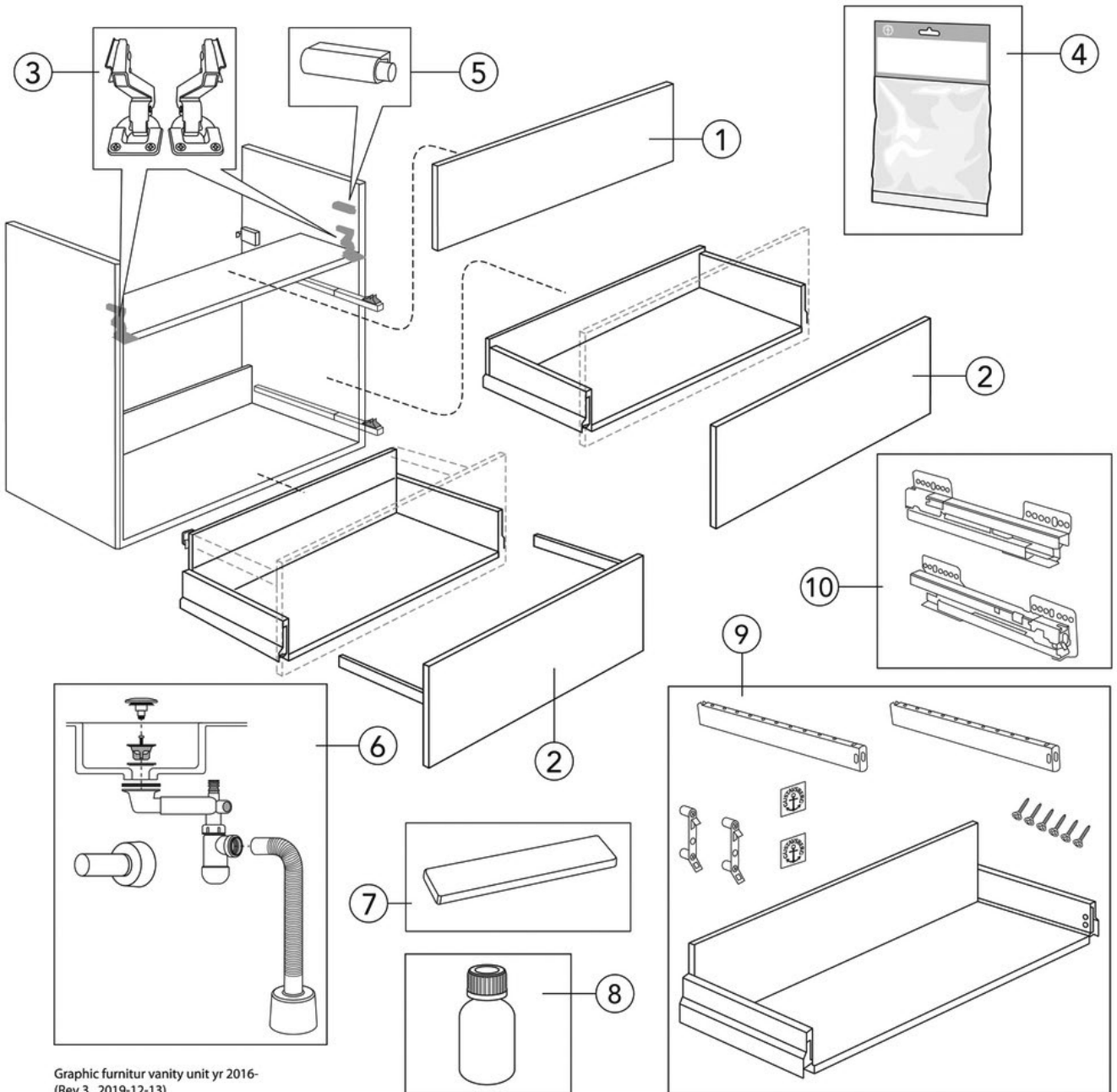


Artic speilskap

DETALJENUMMER OG PRODUKT	NRF. NR.	ART. NR.	VEIL. PRIS EKS. MVA.	VEIL. PRIS INKL. MVA.
1a Speildør, 60 cm		GB8148000080	3.249	4.061
1b Speildør, 80 cm		GB8148000081	3.900	4.875
1c Speildør, 100 cm		GB8148000082	4.288	5.360
2a Glasshyll, 60 cm		GB8148000083	325	406
2b Glasshyll, 80 cm		GB8148000084	379	474
2c Glasshyll, 100 cm		GB8148000085	521	651
3 Reservedelpose 5		GB8148000009	1.042	1.303
4 Reservedel hengsler		GB8148000010	779	974
5 Magnetlist		GB8148000013	520	650
6 Forstørrelsesspeil		GB8148000015	650	813
7 Forbedringsfarge Artic & Graphic hvit NCS-S-0500		GB8148000003	196	245

Artic høyskap

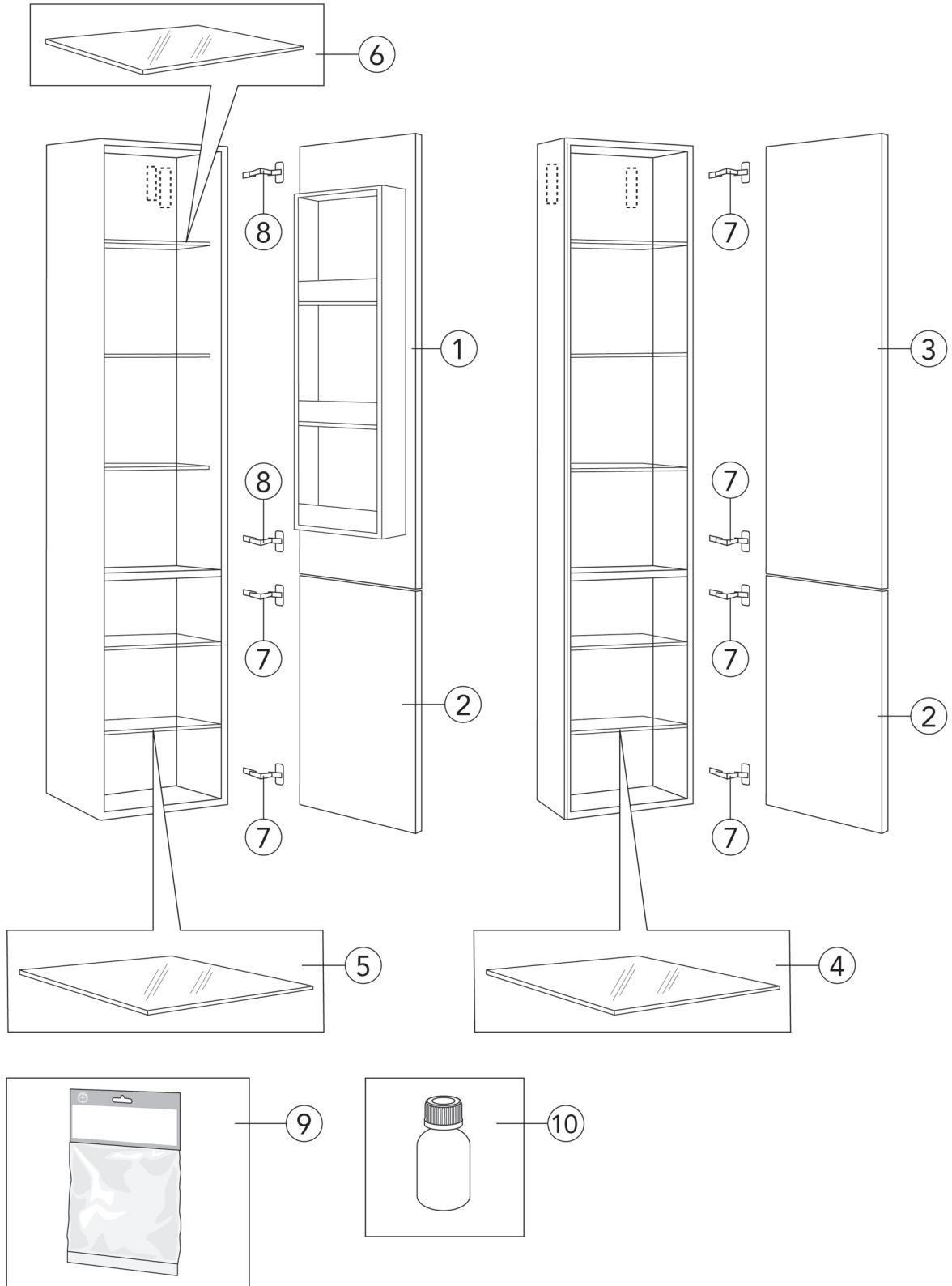
DETALJENUMMER OG PRODUKT	NRF. NR.	ART. NR.	VEIL. PRIS EKS. MVA.	VEIL. PRIS INKL. MVA.
1 Glasshyll		GB8148000079	263	328
2 Reservedelpose		GB8148000005	874	1.092
3 Hengsler 110 grader		GB8148000113	263	328
4 Forbedringsfarge Artic & Graphic hvit NCS-S-0500		GB8148000003	196	245
5a Dør øvre, hvit		GB8148000117	1.965	2.456
5b Dør øvre, rammeluke		GB8148000118	1.965	2.456
5c Dør øvre, svart eik		GB8148000119	2.184	2.730
6a Dør nedre, hvit		GB8148000120	1.419	1.774
6b Dør nedre, rammeluke		GB8148000121	1.528	1.910
6c Dør nedre, svart eik		GB8148000122	1.747	2.184



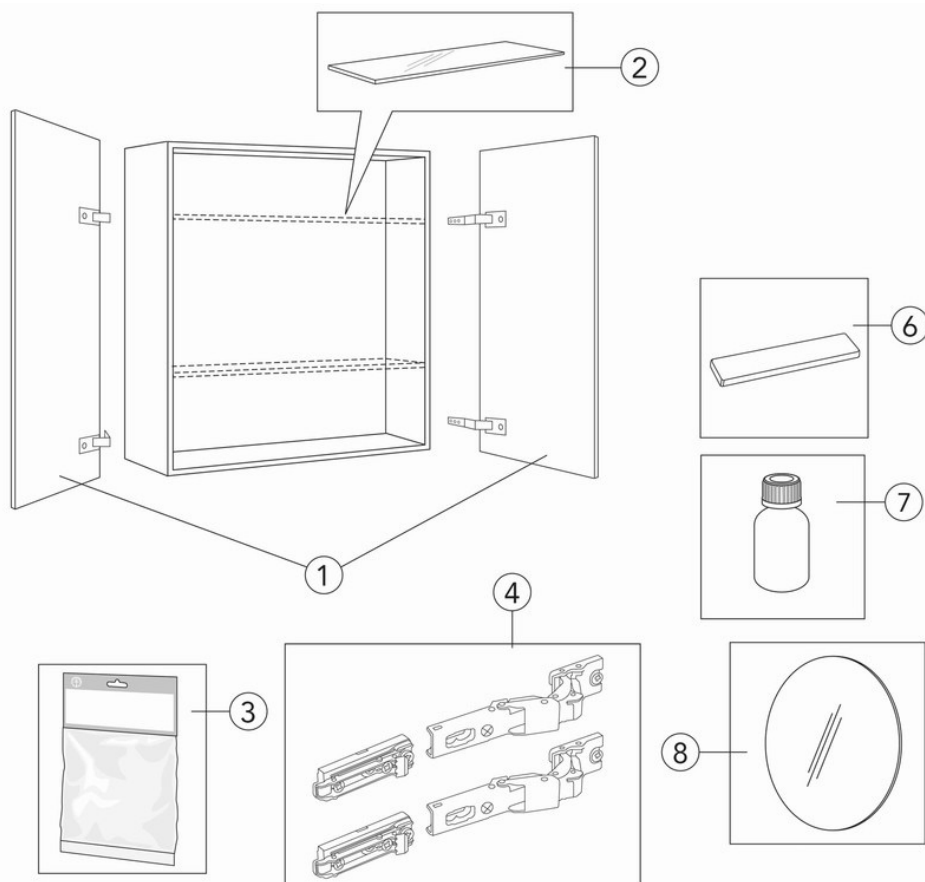
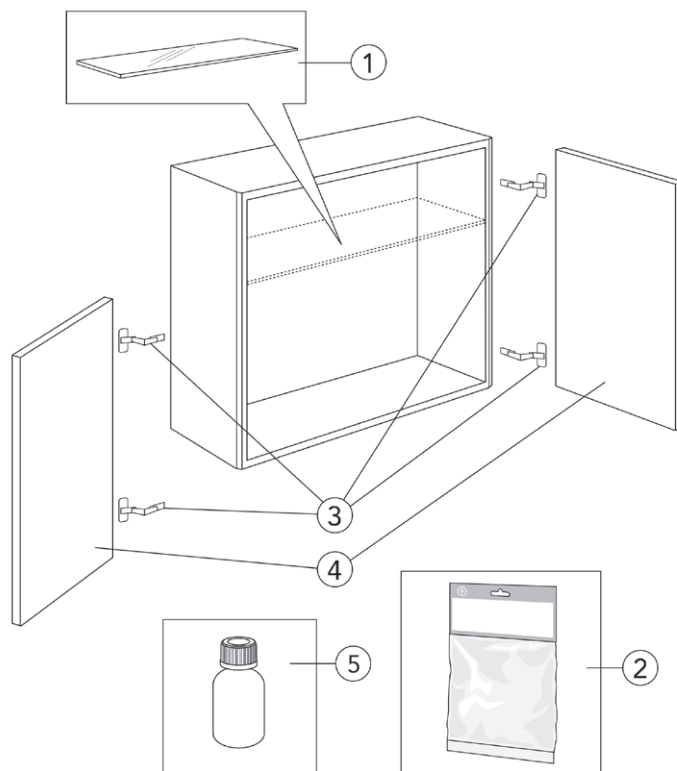
Graphic furnitur vanity unit yr 2016-
(Rev 3. 2019-12-13)



DETALJENUMMER OG PRODUKT	NRF. NR.	ART. NR.	VEIL. PRIS EKS. MVA.	VEIL. PRIS INKL. MVA.
1a Øvre luke, 100 hvit		GB8148000028	983	1.228
1b Øvre luke, 100 hvit med spor		GB8148000029	983	1.228
1c Øvre luke, 100 varm grå		GB8148000030	983	1.228
1d Øvre luke, 100 grønn		GB8148000126	983	1.228
1e Øvre luke, 80 hvit		GB8148000025	874	1.092
1f Øvre luke, 80 hvit med spor		GB8148000026	874	1.092
1g Øvre luke, 80 varm grå		GB8148000027	874	1.092
1h Øvre luke, 80 grønn		GB8148000125	874	1.092
1i Øvre luke, 60 hvit		GB8148000022	765	956
1j Øvre luke, 60 hvit med spor		GB8148000023	765	956
1k Øvre luke, 60 varm grå		GB8148000024	765	956
1l Øvre luke, 60 grønn		GB8148000124	765	956
1m Øvre luke, 45 hvit		GB8148000019	655	818
1n Øvre luke, 45 hvit med spor		GB8148000020	655	818
1o Øvre luke, 45 varm grå		GB8148000021	655	818
1p Øvre luke, 45 grønn		GB8148000123	655	818
2a Skuffefront, 100 hvit		GB8148000040	1.747	2.184
2b Skuffefront, 100 hvit med spor		GB8148000041	1.965	2.456
2c Skuffefront, 100 varm grå		GB8148000042	1.965	2.456
2d Skuffefront, 100 grønn		GB8148000130	1.965	2.456
2e Skuffefront, 80 hvit		GB8148000037	1.528	1.910
2f Skuffefront, 80 hvit med spor		GB8148000038	1.747	2.184
2g Skuffefront, 80 varm grå		GB8148000039	1.747	2.184
2h Skuffefront, 80 grønn		GB8148000129	1.747	2.184
2i Skuffefront, 60 hvit		GB8148000034	1.310	1.638
2j Skuffefront, 60 hvit med spor		GB8148000035	1.528	1.910
2k Skuffefront, 60 varm grå		GB8148000036	1.528	1.910
2l Skuffefront, 60 grønn		GB8148000128	1.528	1.910
2m Skuffefront, 45 hvit		GB8148000031	874	1.092
2n Skuffefront, 45 hvit med spor		GB8148000032	1.091	1.364
2o Skuffefront, 45 varm grå		GB8148000033	1.091	1.364
2p Skuffefront, 45 grønn		GB8148000127	1.091	1.364
3 Dørhengsler, 1 par til øvre luke		GB8148000012	131	163
4 Reservedelspose 2		GB8148000006	437	546
5 Demper, push open, 1 par til øvre luke		GB8148000011	174	218
6 Vannlås baderomsskap med pop-up		GB8148000001	687	859
7 Magnetlist 1 stk		GB8148000013	546	682
8a Forbedringfarge Graphic grønn, NCS 7010-G50Y		GB8148000136	498	623
8b Forbedringfarge Graphic grå, NCS S-4502-Y		GB8148000004	196	245
8c Forbedringfarge Graphic hvit, NCS S-0500		GB8148000003	196	245
9a Innvendig skuff 45 cm		GB8148000099	1.638	2.048
9b Innvendig skuff 60 cm		GB8148000100	1.747	2.184
9c Innvendig skuff 80 cm		GB8148000101	1.856	2.320
9d Innvendig skuff 100 cm		GB8148000102	1.965	2.456
10 Skuffeskiner 300 mm		GB8148000138	1.091	1.364



DETALJENUMMER OG PRODUKT	NRF. NR.	ART. NR.	VEIL. PRIS EKS. MVA.	VEIL. PRIS INKL. MVA.
1a Dør øvre, hvit spor		GB8148000104	2.075	2.594
1b Dør øvre, hvit		GB8148000103	2.075	2.594
1c Dør øvre 32 cm dyp, grønn		GB8148000131	2.075	2.594
2a Dør nedre, grå		GB8148000108	1.419	1.774
2b Dør nedre, grønn		GB8148000132	1.419	1.774
3a Dør øvre 16 cm dyp, grønn		GB8148000133	1.965	2.456
3b Dør øvre, hvit		GB8148000109	1.965	2.456
3c Dør øvre, hvit spor		GB8148000110	1.965	2.456
3d Dør øvre, grå		GB8148000111	1.965	2.456
4 Glasshilleplate, 16 cm dyp		GB8148000043	263	328
5 Glasshilleplate, 32 cm dyp, nedre dør		GB8148000044	328	410
6 Glasshilleplate, 32 cm dyp, øvre dør		GB8148000098	328	410
7 Dørhengsler 110 grader, 1 stk		GB8148000112	131	163
8 Dørhengsler. 1 stk, 32 cm dyp		GB8148000014	263	328
9 Reservedelpose 1		GB8148000005	874	1.092
10a Forbedringsfarge grå, NCS-S4502-Y		GB8148000004	196	245
10b Forbedringsfarge hvit, NCS-S-0500		GB8148000003	196	245
10c Forbedringsfarge grønn, NCS-7010-G50Y		GB8148000136	498	623

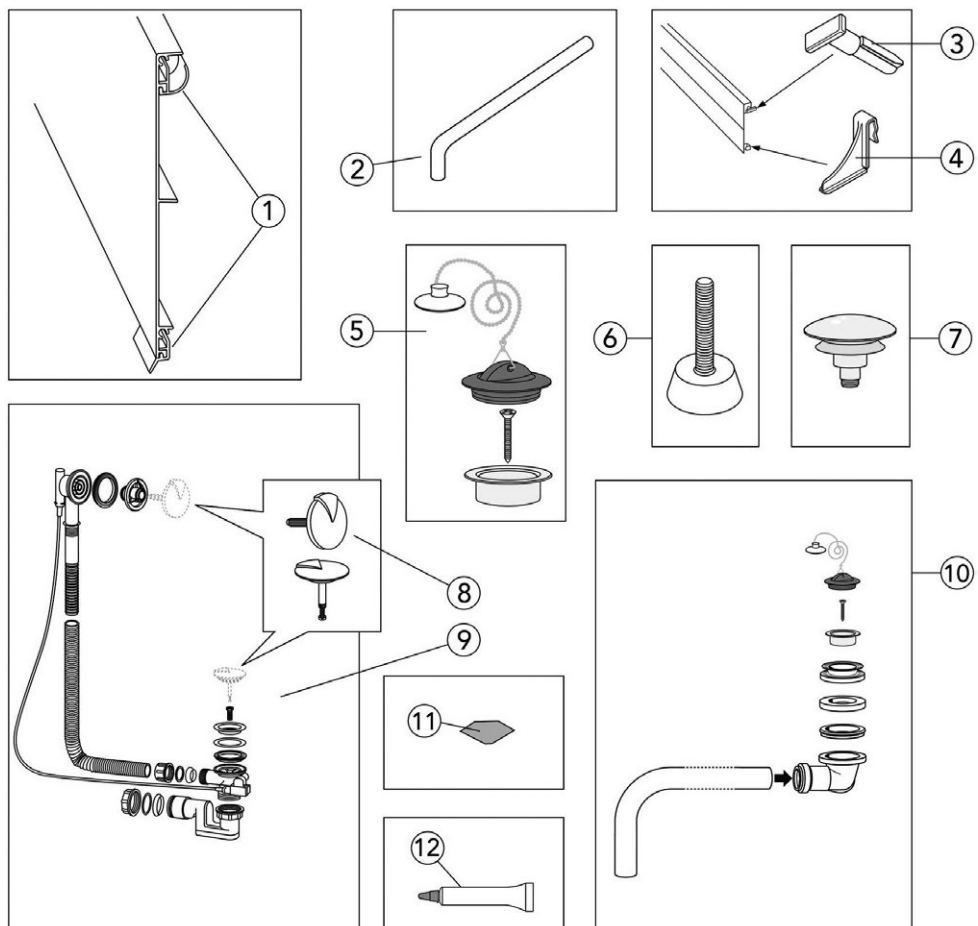
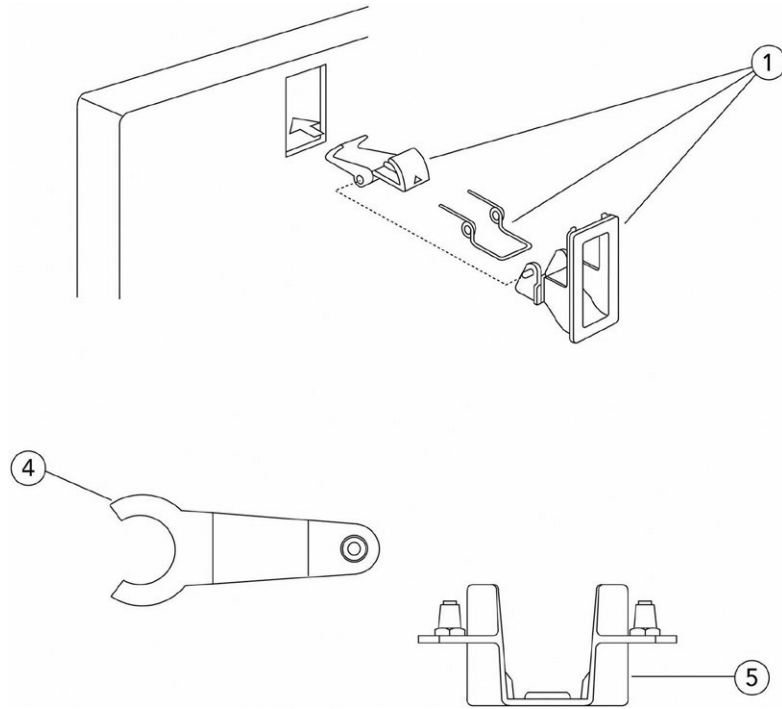


Graphic veggskap

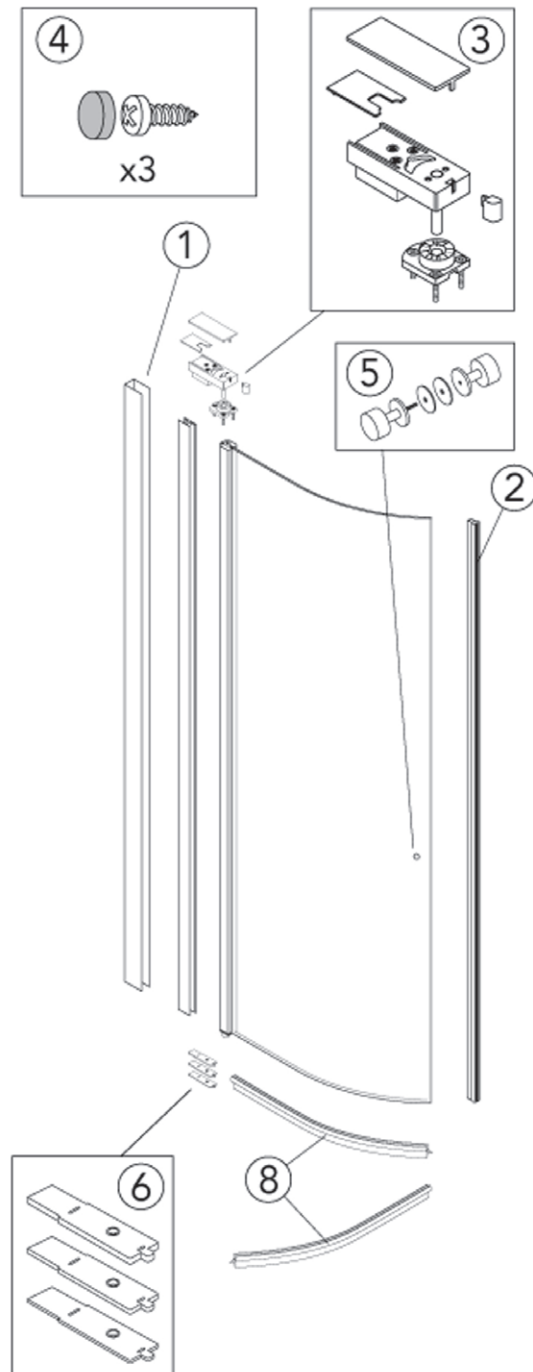
DETALJENUMMER OG PRODUKT	NRF. NR.	ART. NR.	VEIL. PRIS EKS. MVA.	VEIL. PRIS INKL. MVA.
1a Glasshylleplate 16 cm dyp		GB8148000053	350	437
1b Glasshylleplate 32 cm dyp		GB8148000054	393	492
2 Reservedelspose 4		GB8148000008	655	818
3 Dørhengsler 110 grader		GB8148000112	131	163
4a Dør, hvit		GB8148000114	1.310	1.638
4b Dør, hvit med spor		GB8148000115	1.419	1.774
4c Dør, grå		GB8148000116	1.528	1.910
4d Dør, grønn		GB8148000134	1.528	1.910
5a Forbedringsfarge grå, NCS-S-4502-Y		GB8148000004	196	245
5b Forbedringsfarge hvit, NCS-S-0500		GB8148000003	196	245
5c Forbedringsfarge grønn, NCS-7010-G50Y		GB8148000136	498	623

Graphic speilskap

DETALJENUMMER OG PRODUKT	NRF. NR.	ART. NR.	VEIL. PRIS EKS. MVA.	VEIL. PRIS INKL. MVA.
1 Speildør		GB8148000046	1.689	2.111
2 Glasshylle		GB8148000049	259	324
3 Reservedelspose 5		GB8148000009	1.042	1.303
4 Reservedel hengsler 6		GB8148000010	779	974
6 Magnetlis		GB8148000013	520	650
7 Forbedringsfarge Artic & Graphic hvit NCS-S-0500		GB8148000003	196	245
8 Forstørrelsesspeil		GB8148000015	650	812



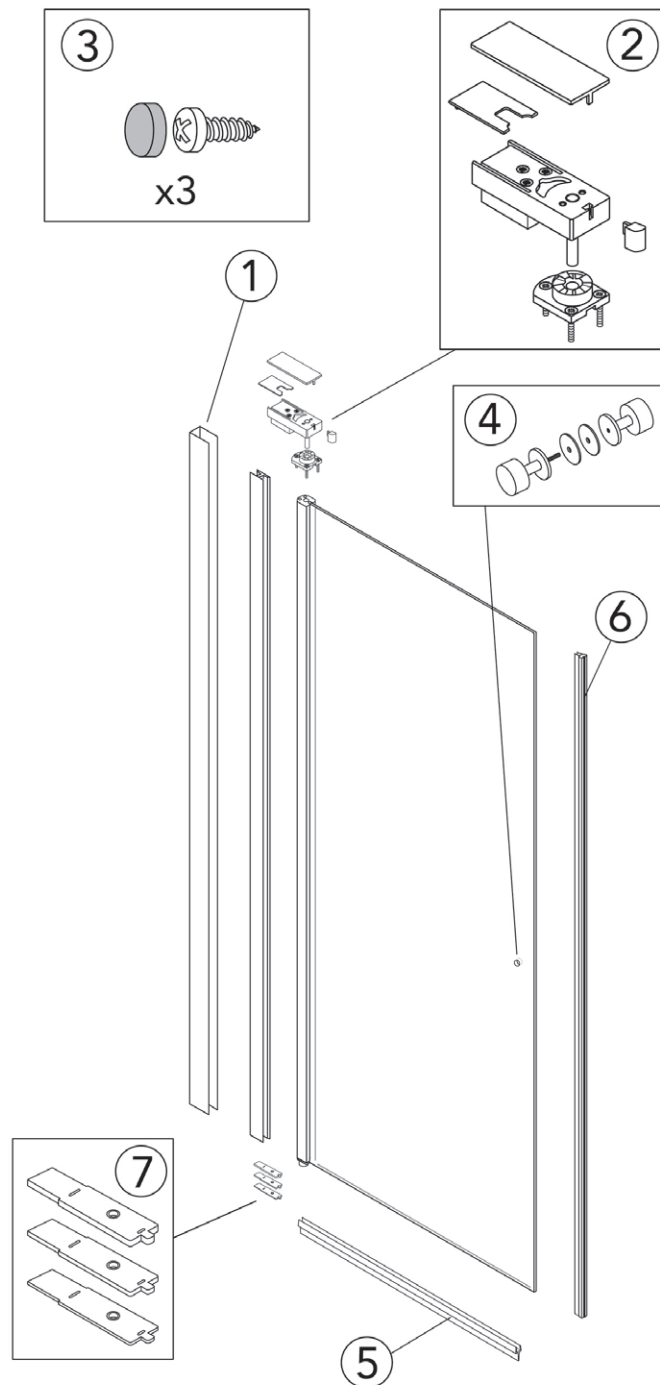
DETALJENUMMER OG PRODUKT		NRF. NR.	ART. NR.	VEIL. PRIS EKS. MVA.	VEIL. PRIS INKL. MVA.
Før år 2000					
1 Frontlås, hvit		6031865	GB2929900115	98	123
Etter år 2000					
1 Hake + fjær til helfrontstativ (Utgår, restlager)	2000-2009	6031715	GB2929900228	230	287
2 Utløpsrør til samtlige standardbadekar, hvit		6031935	GB2929900172	232	290
3 Styrestift f/sokkel helfront/gavl	2009-	6031736	GB2929970002	125	156
4 Plastneppert f/sokkel helfront/gavel	2009-	6031735	GB2929970001	202	253
5 Utbyttepropp (sil, skrue, svart gummipropp og kjede)	2010-	6030553	GB2929900174	149	186
6 Stillbare føtter til hel-, halv- samt designfrontstativ (4 stk)	2002-	6030552	GB2929970004	283	354
7 Propp til pop-up ventil			GB2929970005	216	270
8 Ventilpropp/vrider	2000-	6031723	GB2924300156	494	618
9 Avløpsett, kort variant	2011-	6031722	GB2924300155	1.371	1.714
10a Bunnventil komplett	2009-	6030129	GB2929900175	149	186
10b Bunnventil pop-up, komplett	2000-2009	6031737	GB2929970003	883	1.104
11 Hjørnebeskyttelse til samtlige (4 stk)	2000-	6030157	GB2929900110	302	378
Keramisk gummi		6025842	GB1923100802	584	730





Reservedeler - Round dusjhjørne for hjørnemontering år 2019-

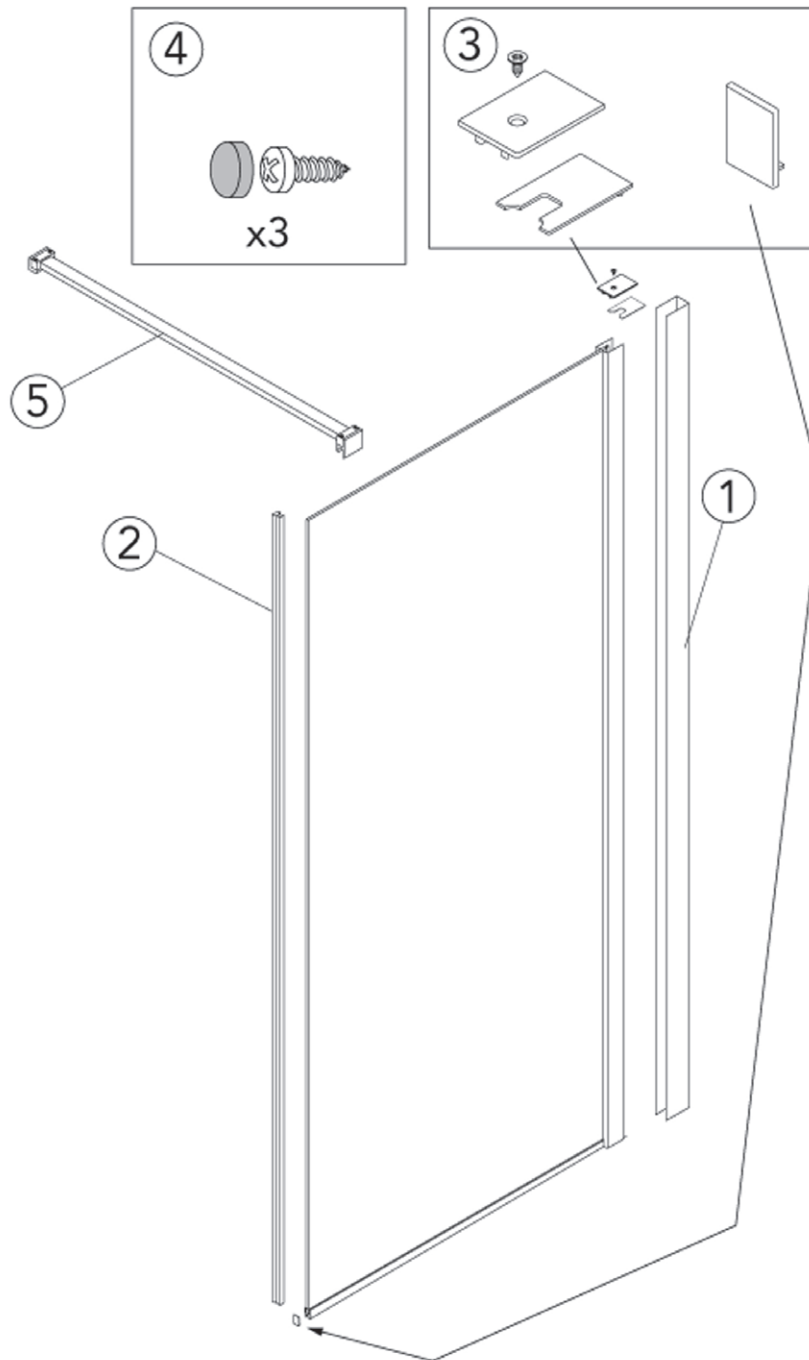
DETALJENUMMER OG PRODUKT	NRF. NR.	ART. NR.	VEIL. PRIS EKS. MVA.	VEIL. PRIS INKL. MVA.
1 Veggprofil aluminium		GB59SESP0002	662	827
2 Magnetlist		GB59SESP0003	359	449
3 Stigergangjern, komplett sats		GB59SESP0005	587	734
4 Skruesats for montering		GB59SESP0006	104	130
5 Dusjknott blankpolert		GB59SESP0001	345	431
6 Forhøyningssats Square/Round		GB59SESP0007	269	336
8 Slepelist, rund		GB59SESP0008	425	531





Reservevedler - Square dusjhjørne for hjørnemontering år 2019-

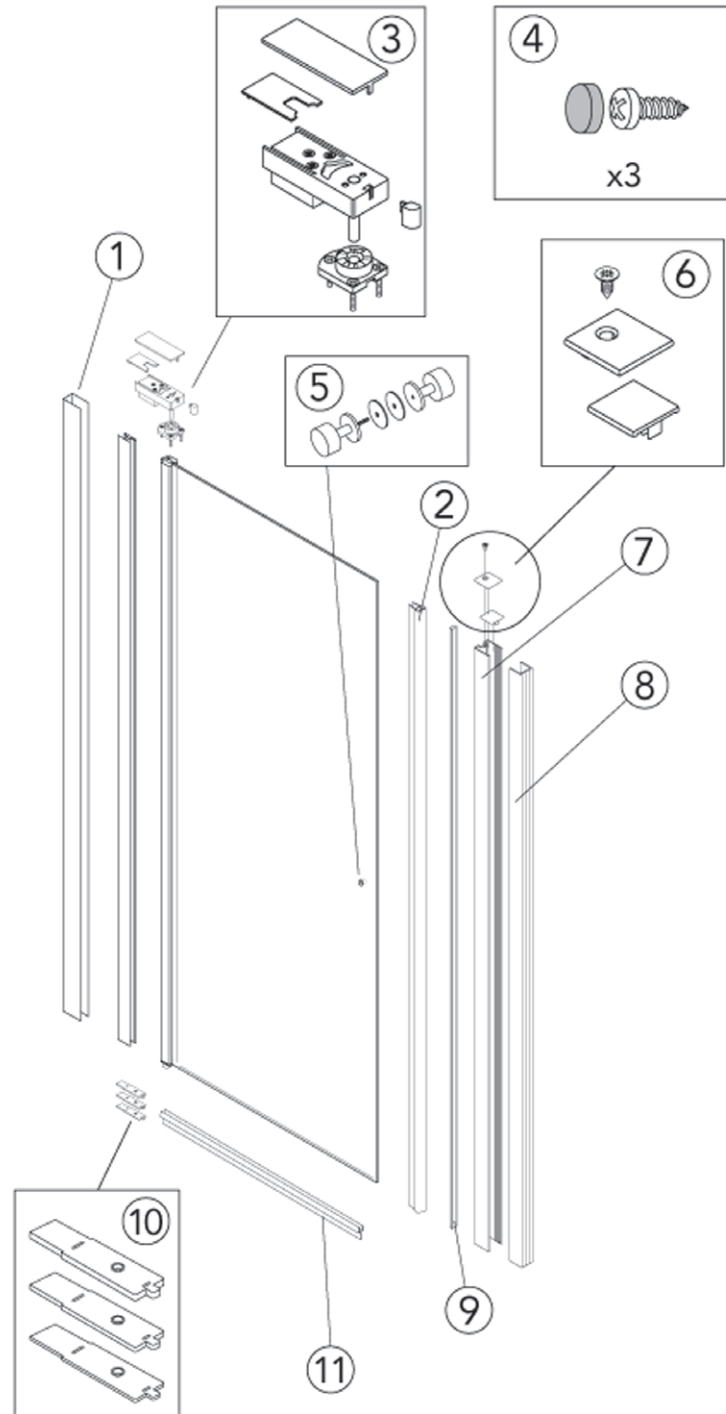
DETALJENUMMER OG PRODUKT	NRF. NR.	ART. NR.	VEIL. PRIS EKS. MVA.	VEIL. PRIS INKL. MVA.
1 Veggprofil aluminium		GB59SESP0002	662	827
2 Stigerangjern, komplett sats		GB59SESP0005	587	734
3 Skruesats for montering		GB59SESP0006	104	130
4 Dusjknott blankpolert		GB59SESP0001	345	431
5 Slepelist, rett		GB59SESP0004	221	277
6 Magnetlist		GB59SESP0003	359	449
7 Forhøyningssats Square/Round		GB59SESP0007	269	336





Reservedeler - Square fast dusjvegg år 2019-

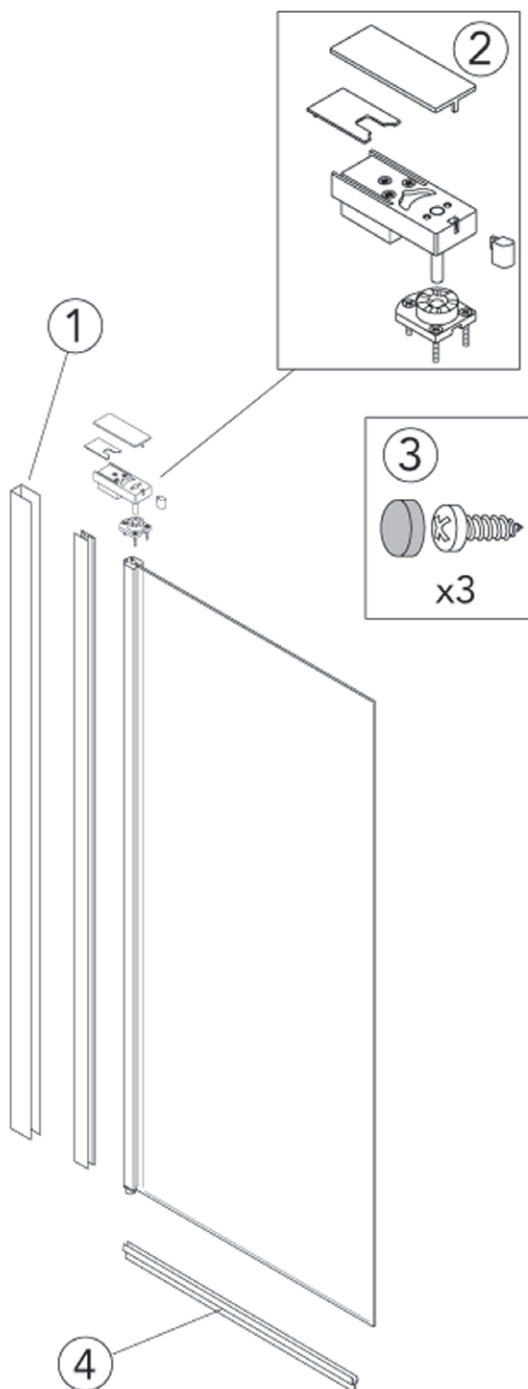
DETALJNUMMER OG PRODUKT	NRF. NR.	ART. NR.	VEIL. PRIS EKS. MVA.	VEIL. PRIS INKL. MVA.
1 Veggprofil aluminium, fast vegg		GB59SESP0009	587	734
3 Dekkelokksats		GB59SESP0011	386	482
4 Skruesats for montering		GB59SESP0006	104	130
5 Veggstang		GB59SESP0010	1.635	2.043





Reservedeler - Square nisjeprofil år 2019-

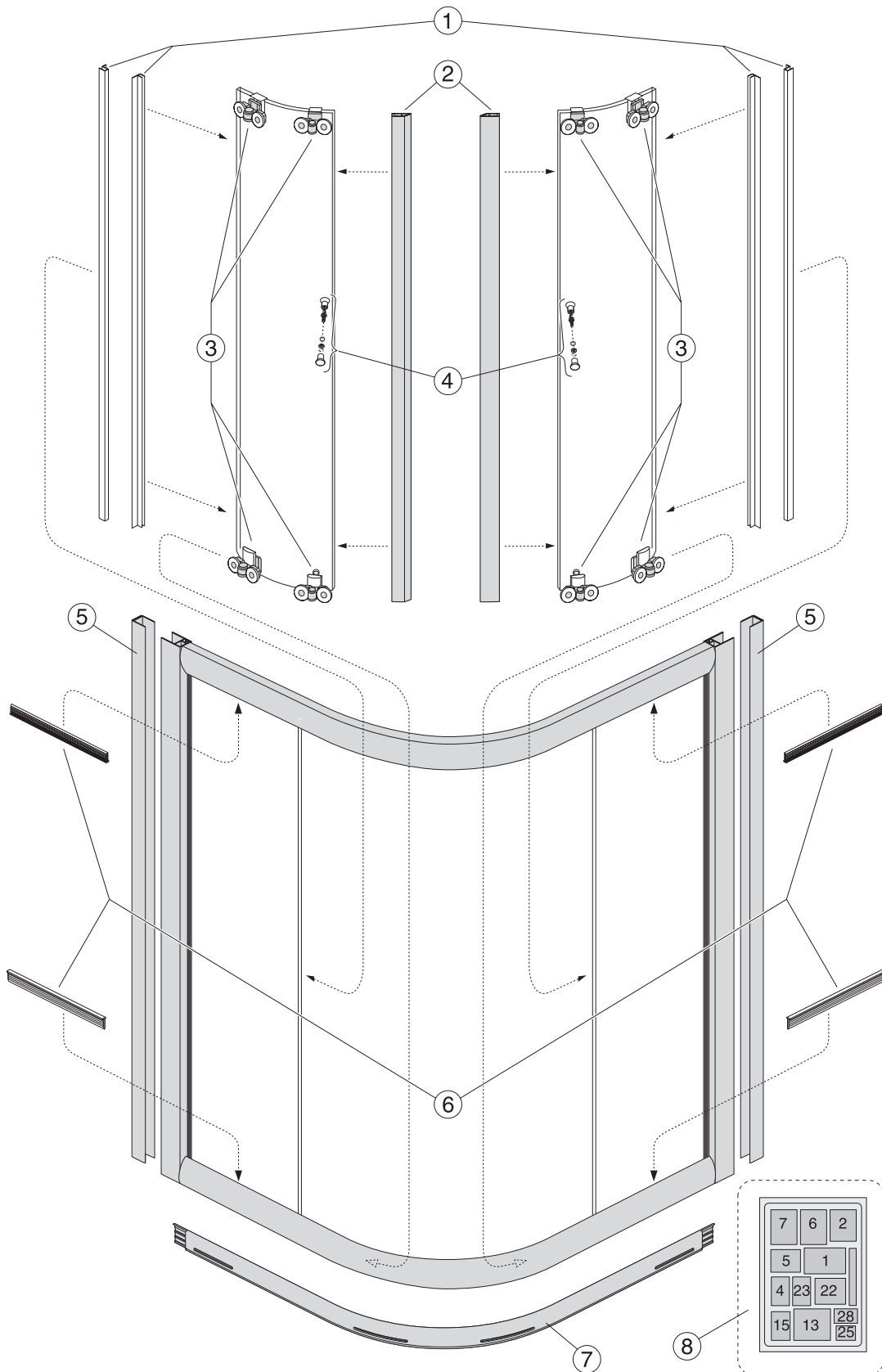
DETALJENUMMER OG PRODUKT	NRF. NR.	ART. NR.	VEIL. PRIS EKS. MVA.	VEIL. PRIS INKL. MVA.
2 Magnetlist (til dør)		GB59SESP0017	263	328
4 Skruesats for montering		GB59SESP0006	104	130
6 Dekkelokksats		GB59SESP0018	136	169
7 Magnetprofil aluminium		GB59SESP0015	373	466
8 Veggprofil aluminium		GB59SESP0014	352	440
9 Magnetlist (til nisjeprofil)		GB59SESP0016	194	242





Reservedeler - Square badekardør år 2019-

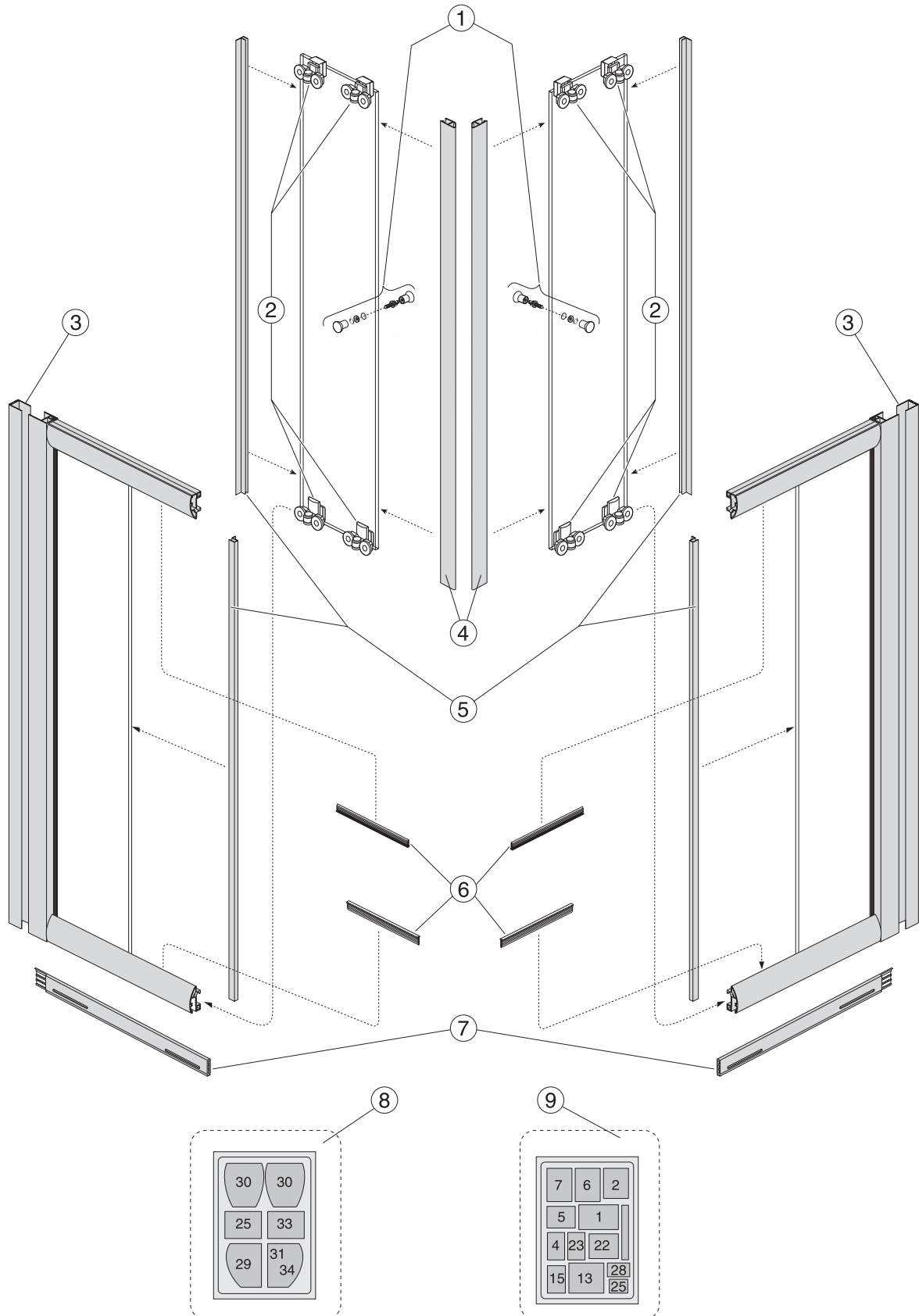
DETALJENUMMER OG PRODUKT	NRF. NR.	ART. NR.	VEIL. PRIS EKS. MVA.	VEIL. PRIS INKL. MVA.
1 Veggprofil aluminium		GB59SESP0012	449	561
2 Stigerangjern, komplett sats		GB59SESP0005	587	734
3 Skruesats for montering		GB59SESP0006	104	130
4 Sleplst, rett		GB59SESP0013	114	142





Reservedeler - NQ halvrundt dushjørne med skyvedører

DETALJENUMMER OG PRODUKT	NRF. NR.	ART. NR.	VEIL. PRIS EKS. MVA.	VEIL. PRIS INKL. MVA.
1 Tetningslist		UPGURSPG-6	384	479
2 Magnetlister, 2009-		UPGUED01020	384	479
3 Trinser, doble, sett 4 stk. Oppe nede for en dør		UPGUWH-6-61/2	284	355
4 Dørhåndtak	6301637	JDWDOORKNOBW-61	284	355
5 Veggprofil hvit		UPGUFY002-01	273	342
Veggprofil krom		UPGUFY002-61	273	342
6 Tetningslister		UPGUED03030	384	479
7 Justerbar gulvprofil		UPGUED02063D-01	284	355
8 Monteringsdetaljer, hvit		UPGUINSKGQ-01	455	569
Monteringsdetaljer, krom		UPGUINSKGQ-61	455	569



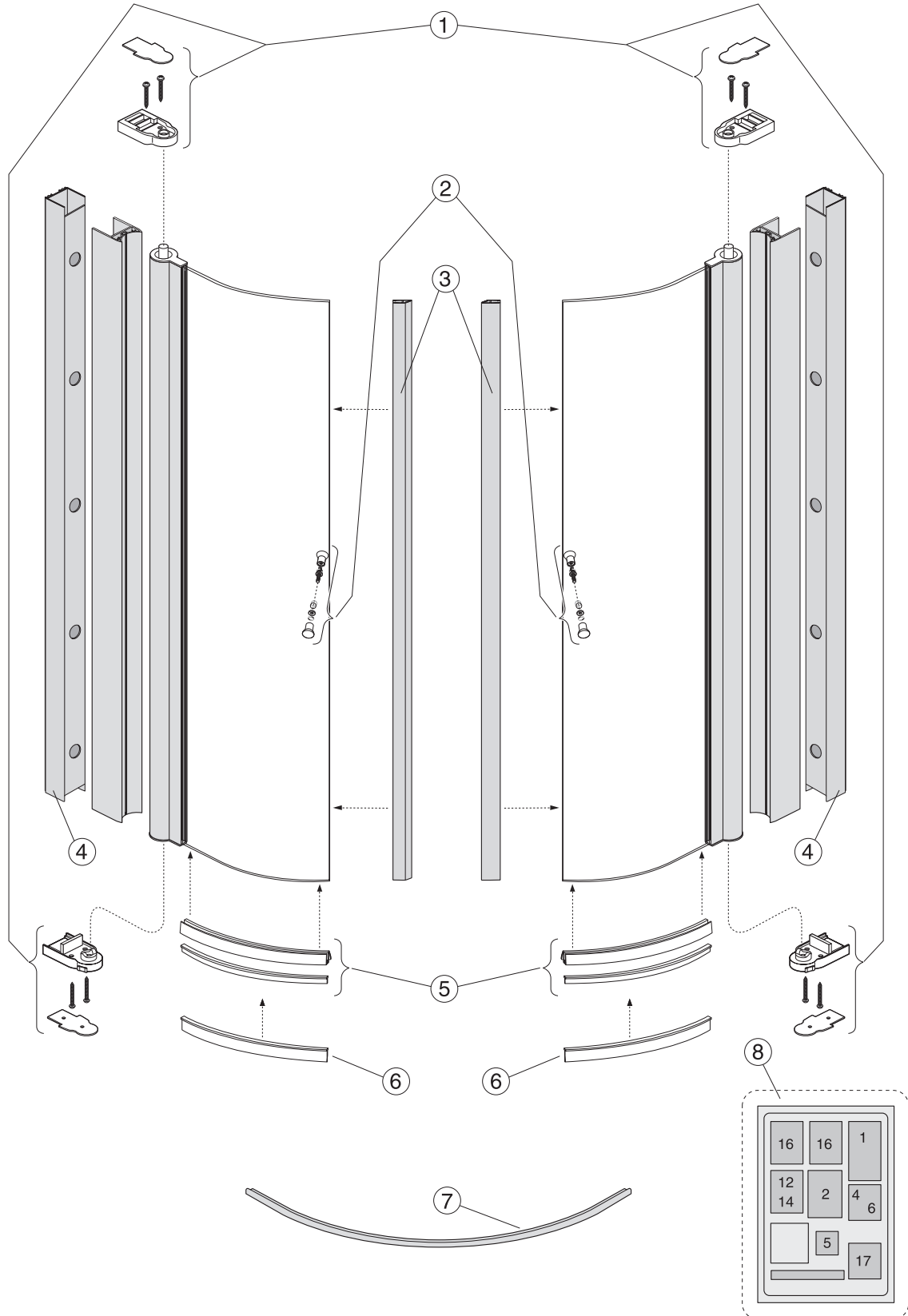


Reservedeler - NC firkantet dusjhjørne med skyvedører

DETALJENUMMER OG PRODUKT	NRF. NR.	ART. NR.	VEIL. PRIS EKS. MVA.	VEIL. PRIS INKL. MVA.
1 Dørhåndtak, 2009-	6301637	JDWDOORKNOBW-61	284	355
2 Trinser, 2009-		UPGUWH-6-61/2	284	355
3 Veggprofil, hvit		UPGUFY002-01	273	342
Veggprofil, krom		UPGUFY002-61	273	342
4 Magnetlister		UPGUED01024	384	479
5 Tetningslister		UPGURSPG-8	284	355
6 Tetningslister		UPGUED03030	384	479
7 Gummisokkel m/hjul		UPGUED02063D-01	284	355
Monteringsdetaljer, hvit		UPGUCCT-01	284	355
8 Monteringsdetaljer, krom		UPGUCCT-61	284	355
Monteringsdetaljer, hvit		UPGUINSKGD-01	284	355
9 Monteringsdetaljer, krom		UPGUINSKGD-61	284	355
Trinser		UPGUWH-8-61/2	284	355

RESERVEDELER

SQ, pivot doors

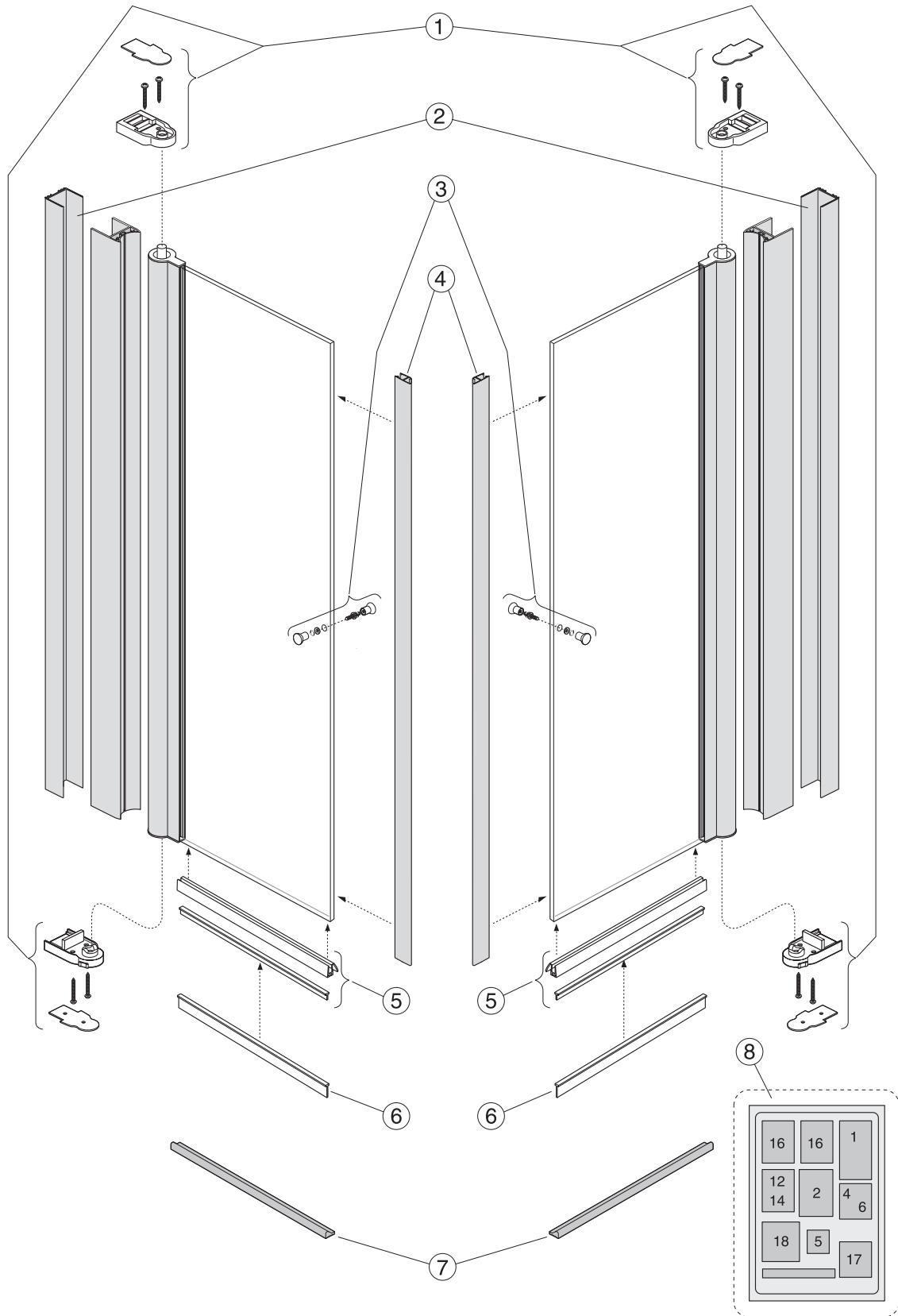


RESERVEDELER



Reservedeler - SQ dusjhjørne med buede slagdører

DETALJENUMMER OG PRODUKT	NRF. NR.	ART. NR.	VEIL. PRIS EKS. MVA.	VEIL. PRIS INKL. MVA.
1 Hjørnebeslag f/dør, opp/nede, 2009-		UPGUTHJ	384	479
2 Dørhåndtak, krom	6301637	UDWDOORKNOBW-61	284	355
3 Magnetlister		UPGUED01020	384	479
4 Veggprofil		UPGUFY-011	304	380
5 Tetningslist komplett		UPGUSWD-6	384	479
6 Tetningslist ekstra høy		UPGUSWD-8-L	384	479
7 Sokkel		UPGUALPQ	799	998
8 Monteringsdetaljer, krom		UPGUINSKJD-61	384	479



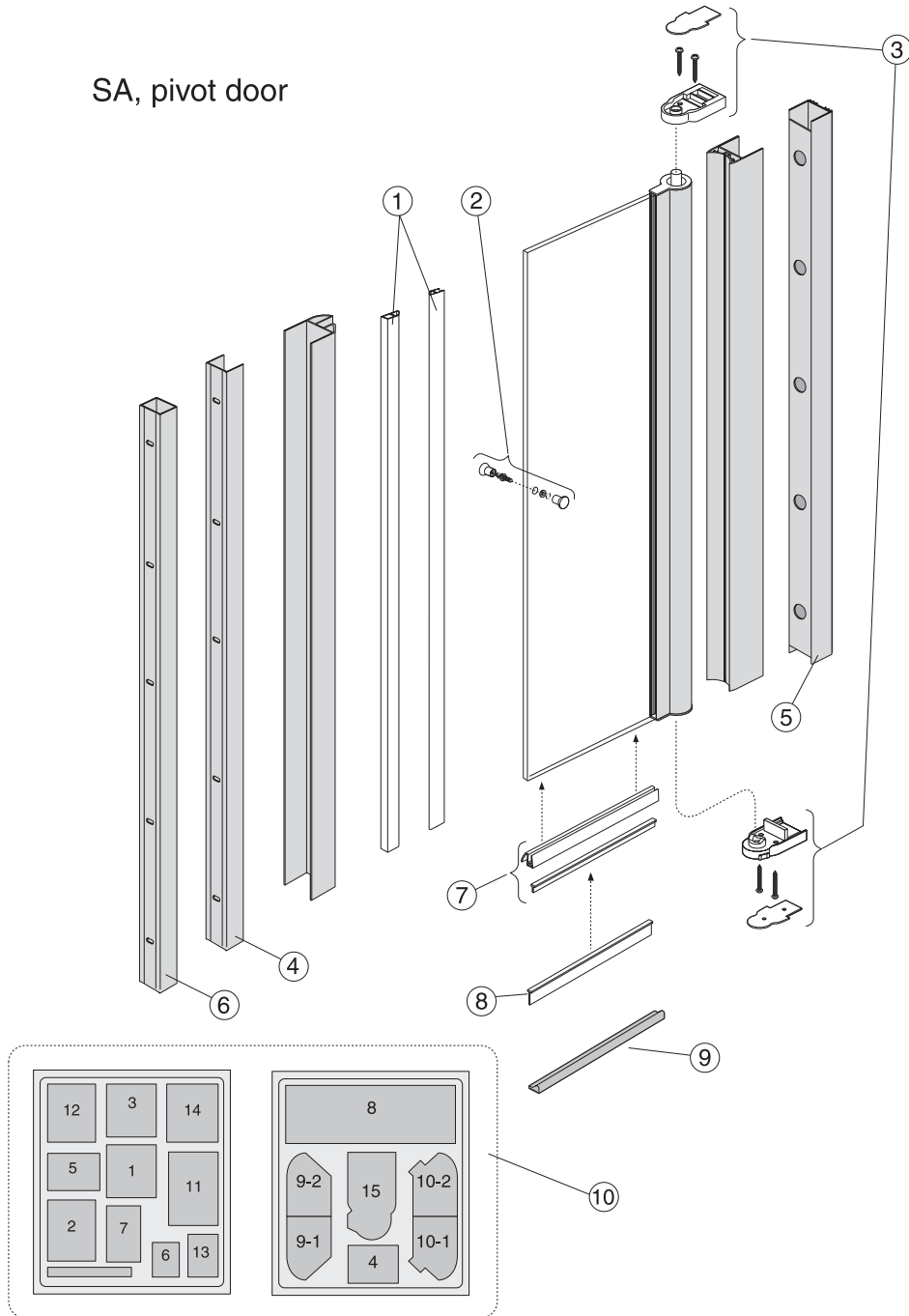
16	16	1
12	2	4 6
18	5	17



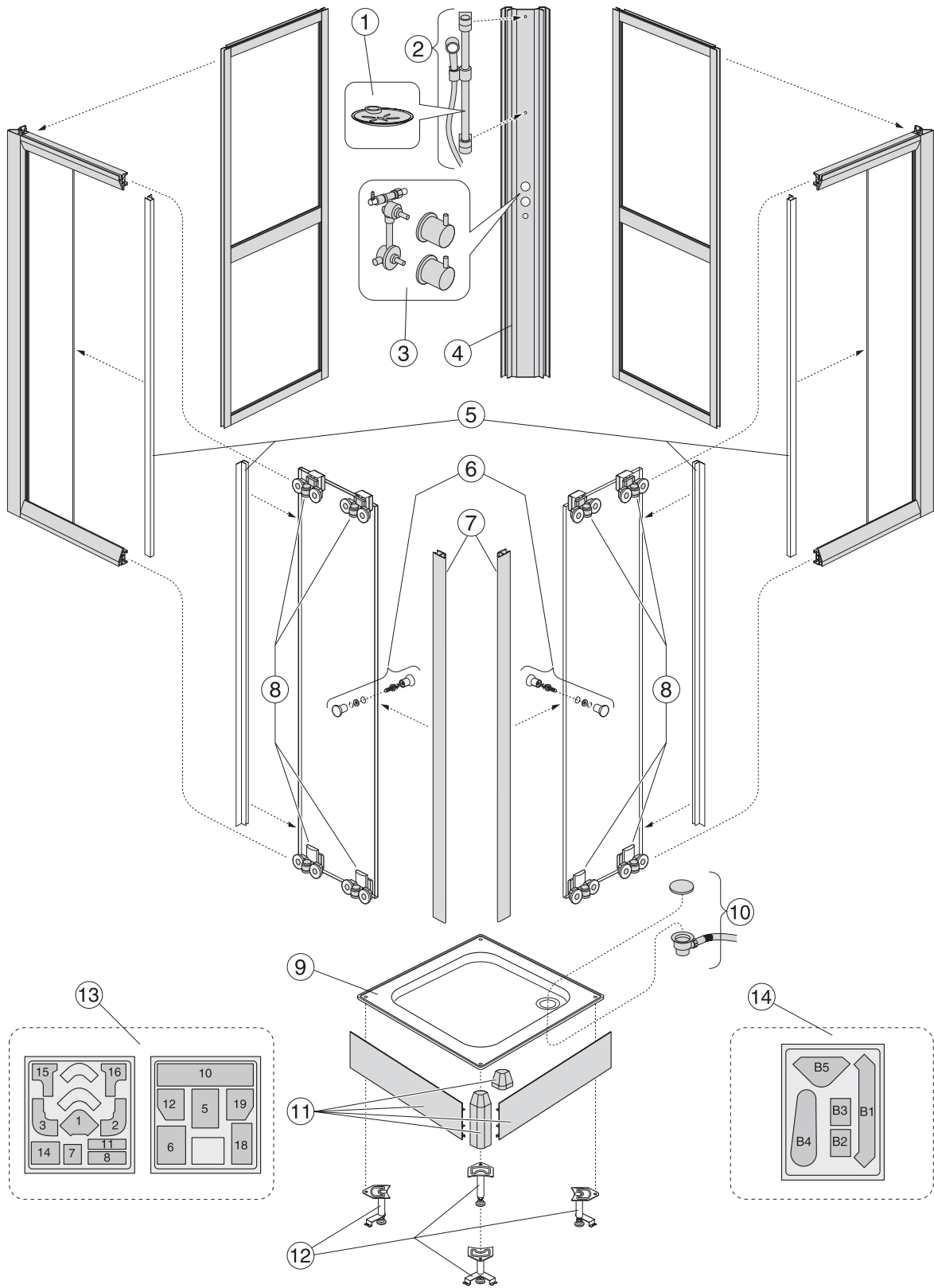
Reservedeler - SC dusjhjørne med rette slagdører

DETALJENUMMER OG PRODUKT	NRF. NR.	ART. NR.	VEIL. PRIS EKS. MVA.	VEIL. PRIS INKL. MVA.
1 Hjørnebeslag, 2009-		UPGUTHJ	384	479
2 Veggprofil		UPGUFY-011	304	380
3 Dørhåndtak	6301637	UDWDOORKNOBW-61	284	355
4 Magnetlister		UPGUED01024	384	479
5 Tetningslister komplett		UPGUSWD-8	384	479
6 Tetningslister ekstra høy		UPGUED02099	376	470
7 Sokkel		UPGUALPD	749	936
8 Monteringsdetaljer		UPGUINSKJD-61	384	479

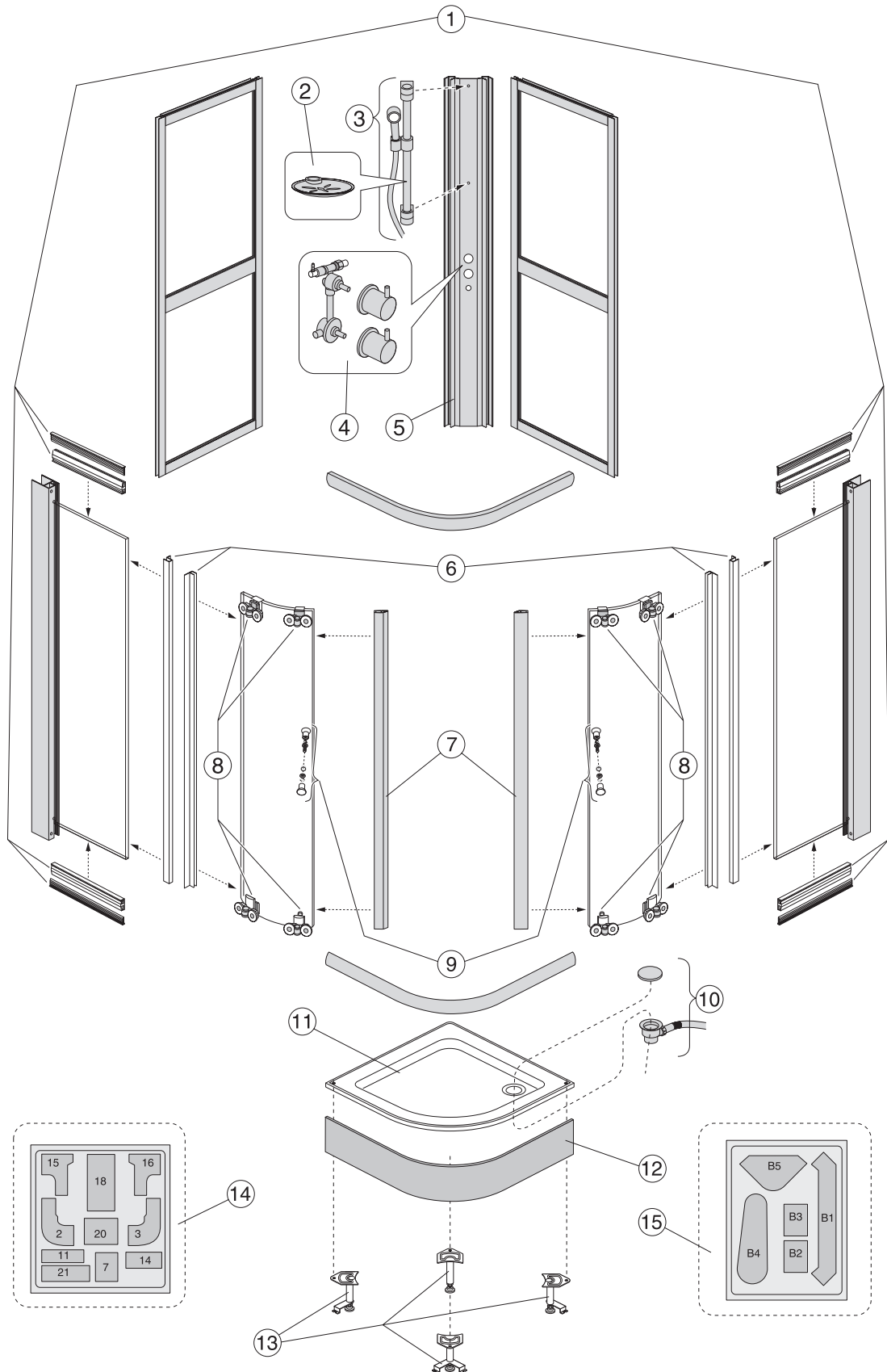
SA, pivot door



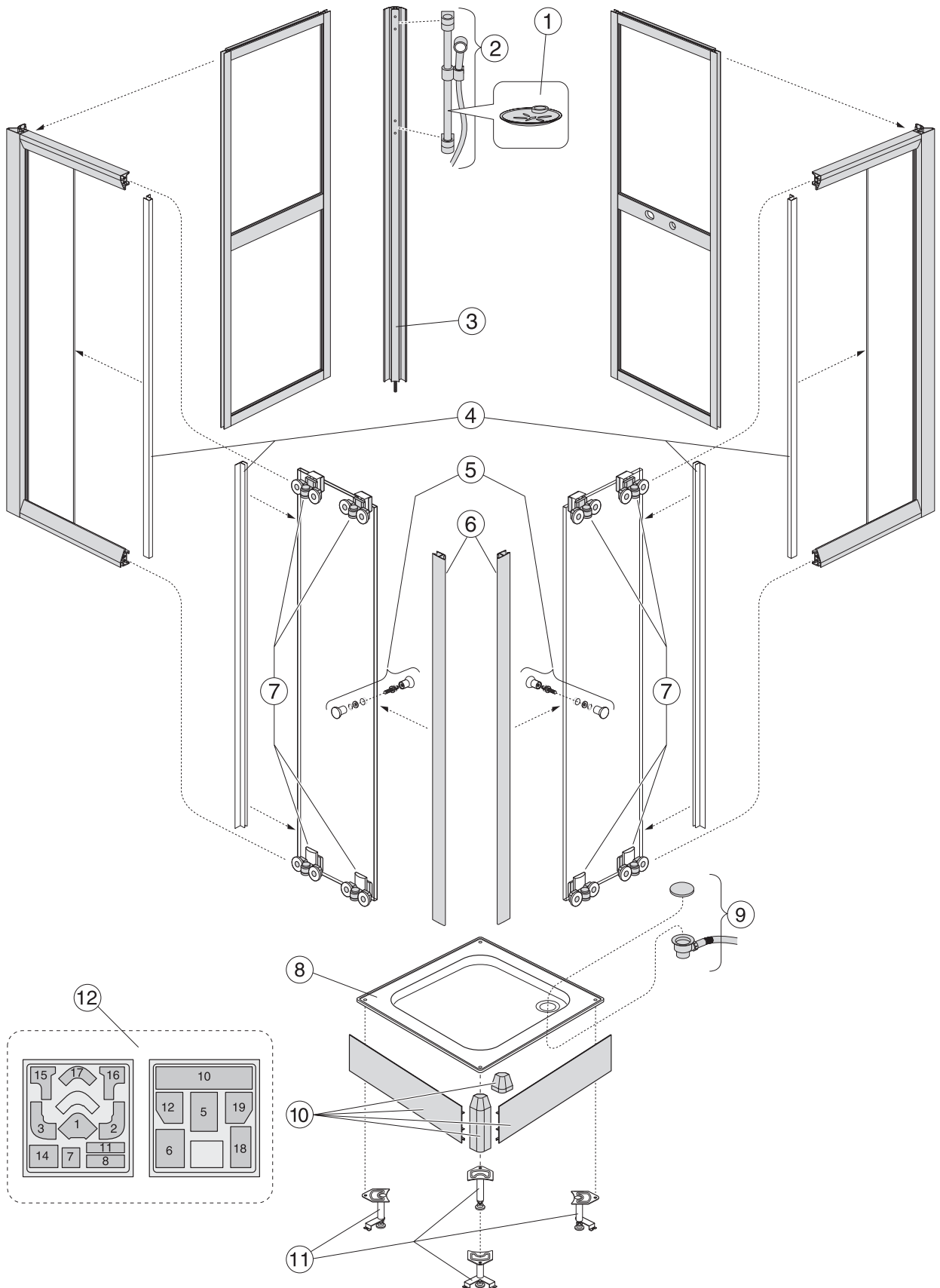
DETALJENUMMER OG PRODUKT	NRF. NR.	ART. NR.	VEIL. PRIS EKS. MVA.	VEIL. PRIS INKL. MVA.
1 Magnetlister, 2009-		UPGUMAGSP	384	479
2 Dørhåndtak, 2009-	6301637	UDWDOORKNOBW-61	284	355
3 Monteringsdetaljer for dørprofil, 2009-		UPGUTHJ	384	479
4 Veggprofil, 2009-		UPGUFY-011	304	380
5 Tetningslist komplett, 2009-		UPGUSWD-8	384	479
6 Tetningslist ekstra høy, 2009-		UPGUSWD-8-L	384	479
8 Monteringdetaljer, 2009-		UPGUINSKALC	384	479



DETALJENUMMER OG PRODUKT	NRF. NR.	ART. NR.	VEIL. PRIS EKS. MVA.	VEIL. PRIS INKL. MVA.
3 Blandebatteri		UCTAP0259	2.939	3.674
5 Tetningslister		UPGUCURSP	284	355
6 Dørhåndtak	6301637	UDWDOORKNOBW-61	284	355
7 Magnetlister		UPGUED01020	384	479
8 Trinser		UPGUWH-6-61/2	284	355
10 NY avløpssett		U90880261	1.215	1.519
Frontpanel, krom		UPGUPCC90-61	1.454	1.818
11 Frontpanel, hvit		UPGUPCC90-01	1.454	1.818
12 Fotsats		UPGUTFS	369	461
Monteringsdetaljer, krom		UPGUINSKCU-61	384	479
13 Monteringsdetaljer, hvit		UPGUINSKCU-01	384	479
Monteringsdetaljer, krom		UPGUINSKBW-61	384	479
14 Monteringsdetaljer, hvit		UPGUINSKBW-01	384	479



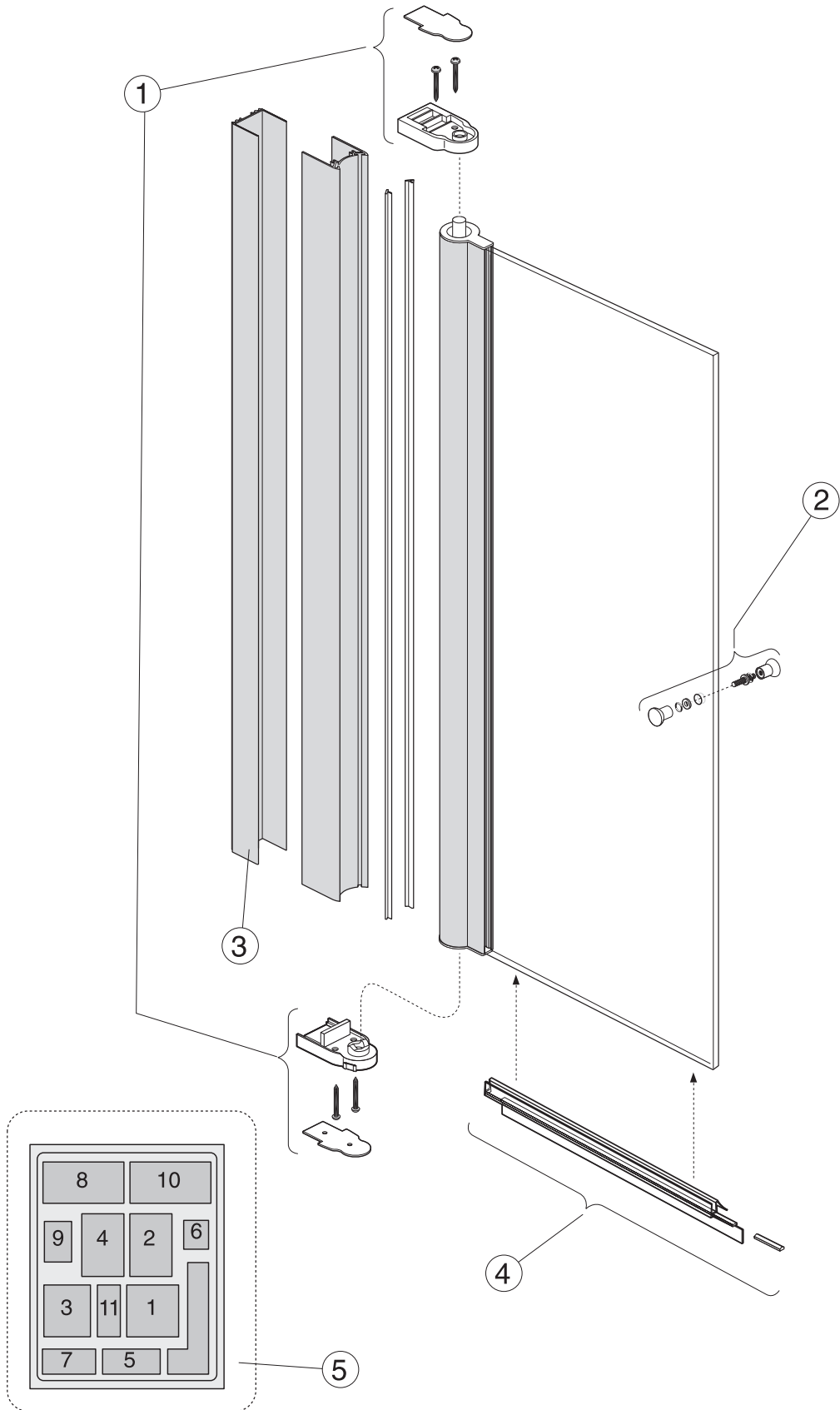
DETALJENUMMER OG PRODUKT	NRF. NR.	ART. NR.	VEIL. PRIS EKS. MVA.	VEIL. PRIS INKL. MVA.
Med blandebatteri, år 2010-				
1 Tetningslister		UPGUED03030	384	479
4 Blandebatteri		UCTAP0259	2.939	3.674
6 Tetningslister		UPGURSPG-6	384	479
7 Magnetlister		UPGUED01020	384	479
8 Trinser		UPGUWH-6-61/2	284	355
9 Dørhåndtak	6301637	UDWDOORKNOBW-61	284	355
10 NY avløpssett		U90880261	1.215	1.519
Frontpanel, krom		UPGUBP90-61	1.454	1.818
12 Frontpanel, hvit		UPGUBP90-01	1.454	1.818
13 Fotsats		UPGUTFQ	248	310
Monteringsdetaljer, krom		UPGUINSKLO-61	384	479
14 Monteringsdetaljer, hvit		UPGUINSKLO-01	384	479
Monteringsdetaljer, krom		UPGUINSKBW-61	384	479
15 Monteringsdetaljer, hvit		UPGUINSKBW-01	384	479



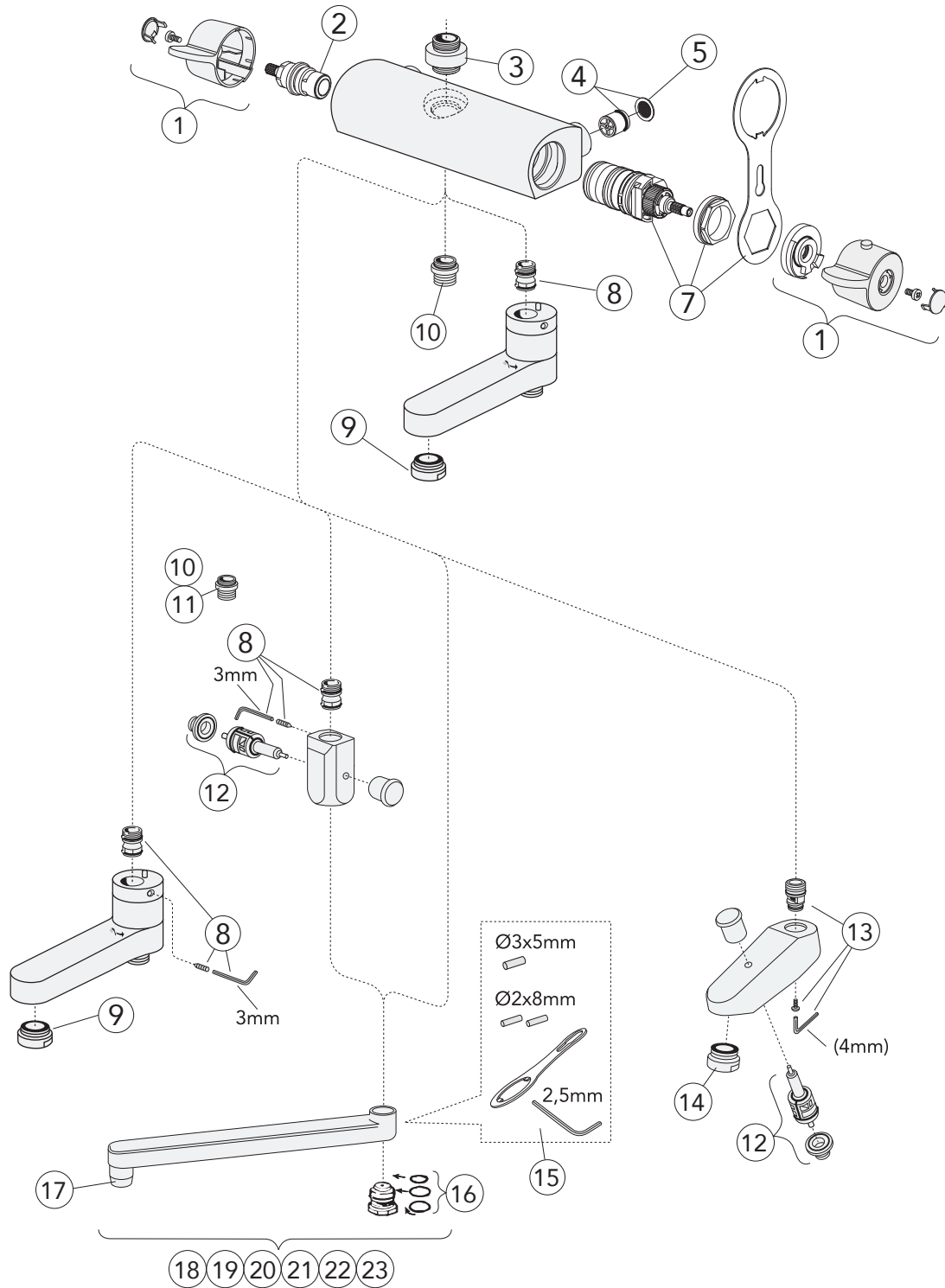


Reservedeler - NCC og NOC firkantet hjørnekabinett

DETALJENUMMER OG PRODUKT	NRF. NR.	ART. NR.	VEIL. PRIS EKS. MVA.	VEIL. PRIS INKL. MVA.
3 Hjørnestolpe, krom		UPGUYDG262-69-61	420	525
Hjørnestolpe, hvit		UPGUYDG262-69-01	388	486
4 Tetningslister		UPGUCURSP	284	355
5 Dørhåndtak	6301637	UDWDOORKNOBW-61	284	355
6 Magnetlister		UPGUED01020	384	479
7 Trinser		UPGUWH-6-61/2	284	355
9 NY avløpssett		U90880261	1.215	1.519
10 Frontpanel, krom		UPGUPCC90-61	1.454	1.818
Frontpanel, hvit		UPGUPCC80-01	1.454	1.818
11 Fotsats		UPGUTFS	248	310
Monteringsdetaljer, krom		UPGUINSKCU-61	384	479
12 Monteringsdetaljer, hvit		UPGUINSKCU-01	384	479

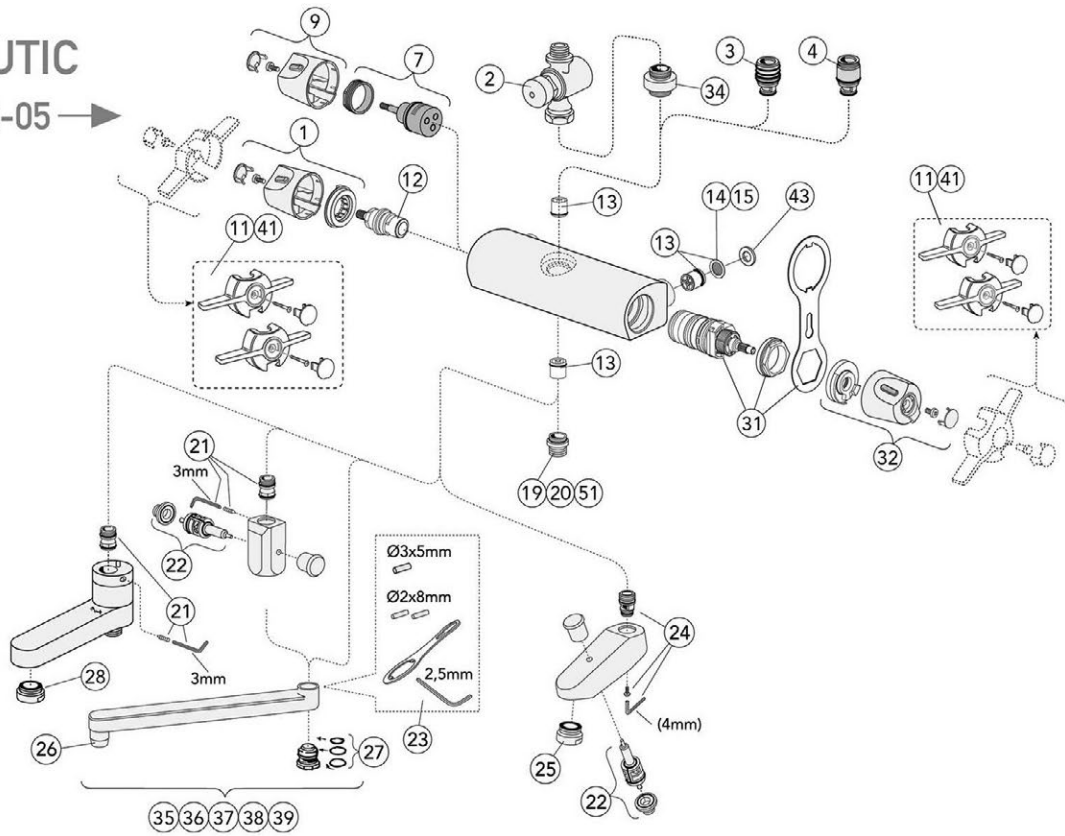


DETALJENUMMER OG PRODUKT	NRF. NR.	ART. NR.	VEIL. PRIS EKS. MVA.	VEIL. PRIS INKL. MVA.
1 Monteringsdetaljer f/dør		UPGUTHWF7201	206	257
2 Dørhåndtak		UDWDOORKNOB2W-61	284	355
3 Veggprofil		UPGUDS249	304	380
4 Sokkel		UPGUWDWF7201	749	936
5 Monteringsdetaljer		UPGUINWF7201	384	479

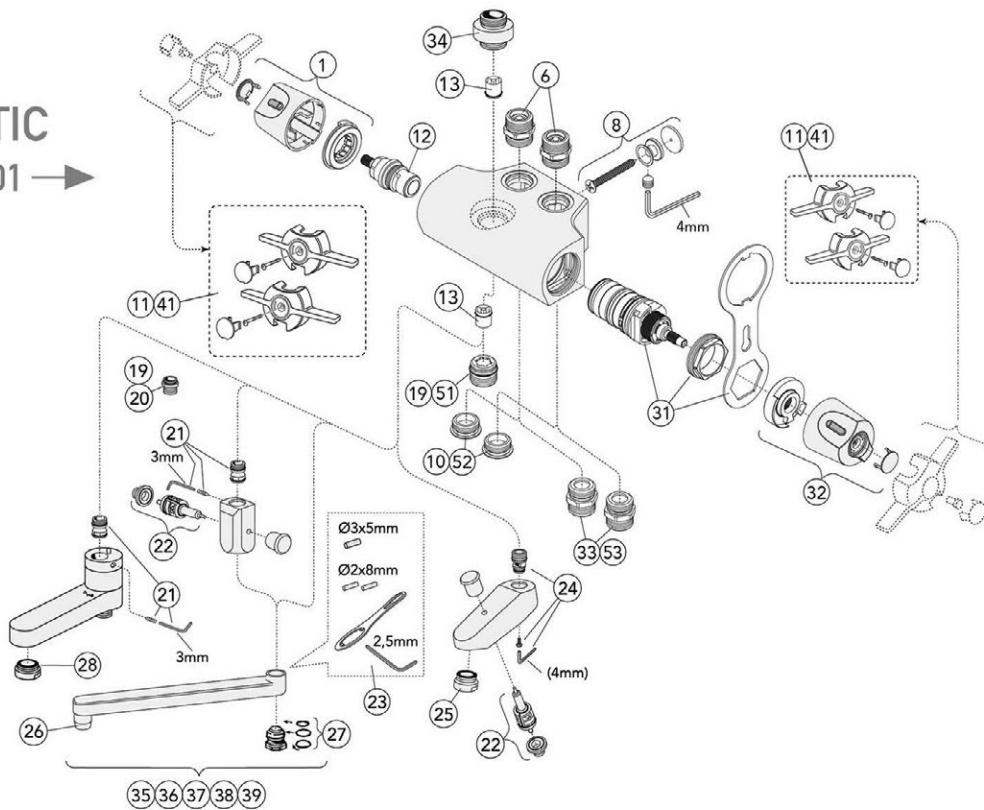


DETALJENUMMER OG PRODUKT	NRF. NR.	ART. NR.	VEIL. PRIS EKS. MVA.	VEIL. PRIS INKL. MVA.
1 Ratt for mengde -og temperatursiden	4342789	GB41639080 01	226	283
2 Ventiloverstykke	4343314	GB41634035 01	180	225
3 Tilkoblingsnippel G1/2xG1/2	4341959	GB41638339 01	68	85
4 Tilbakeslagsventil med filter	4343096	GB41632698 02	195	244
5 Filter for tilbakeslagsventil	4343065	GB41635633 02	65	81
7 Termostatsats (CA77N)	4342726	GB41638334 01	543	679
8 Tilkoblingsnippel for omkaster	4343362	GB41636359 01	68	85
9 Strålesamler M24x1 D	4342717	GB41637387 01	424	530
10 Tilkoblingsnippel G1/2-M20x1,5	4341962	GB41634757 01	180	225
11 Tilkoblingsnippel med Tilbakeslagsventil G1/2-M20x1,5	4343363	GB41634756 01	180	225
12 Draomkaster	4341963	GB41636577 01	332	415
13 Tilkoblingsnippel for utløpstut	4343368	GB41637347	180	225
14 Strålesamlere M28x1, krom	4343123	GB41634555 01	424	530
15 Detaljer for slagbegrensning tut	4342754	GB41633972	69	86
16 O-ringsats for utløpstut	4342755	GB41633952 01	74	93
17 Strålesamlere M24x1 B	4343241	GB41630131 01	123	154
18 Svingbar utløpstut 85 mm	4342879	GB41633631	614	768
19 Svingbar utløpstut 150 mm	4342877	GB41633632	614	768
20 Svingbar utløpstut 200 mm	4342878	GB41633633	817	1.021
21 Svingbar utløpstut 250 mm	4342868	GB41633614	844	1.055
22 Svingbar utløpstut 350 mm	4342625	GB41633616	1.080	1.350
24 Omkaster (vrideren skiftes via utløp opp og ned)		GB41639500 01	538	673

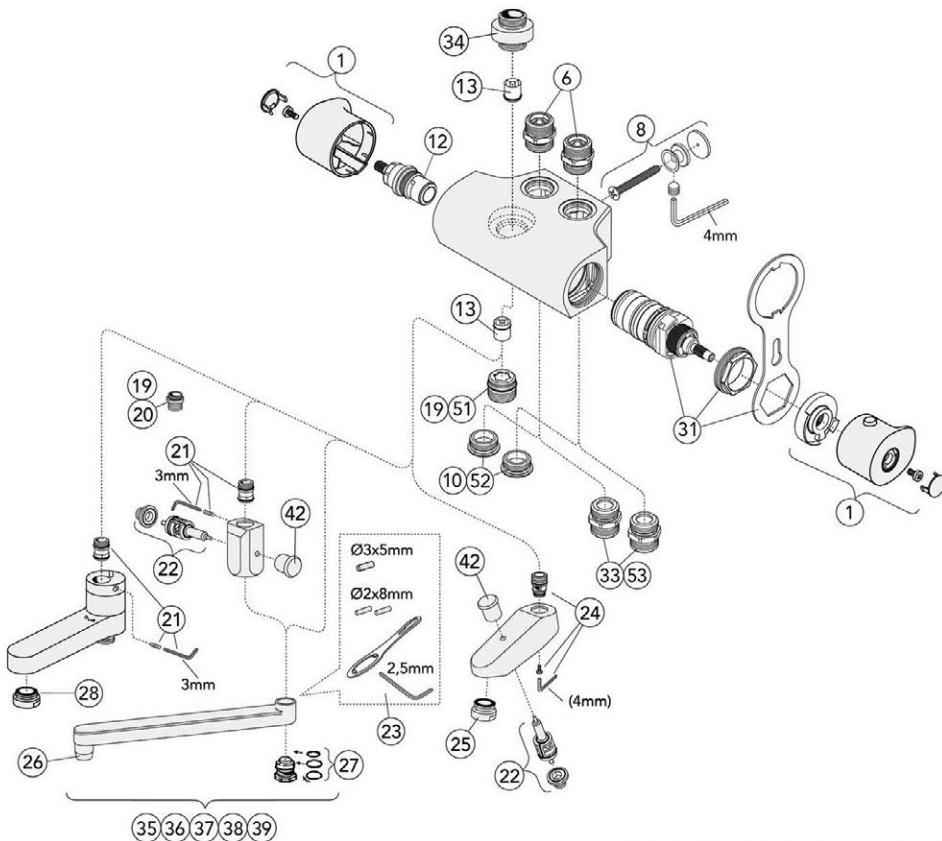
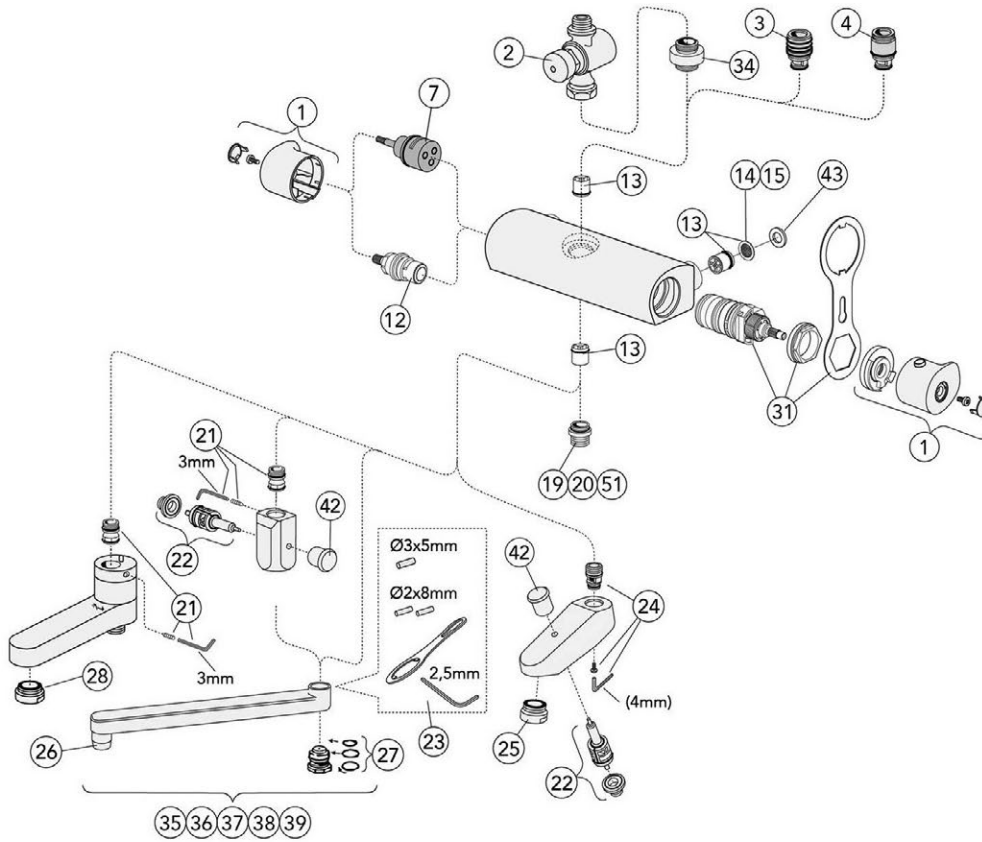
NAUTIC
2010-05 →



NAUTIC
2012-01 →

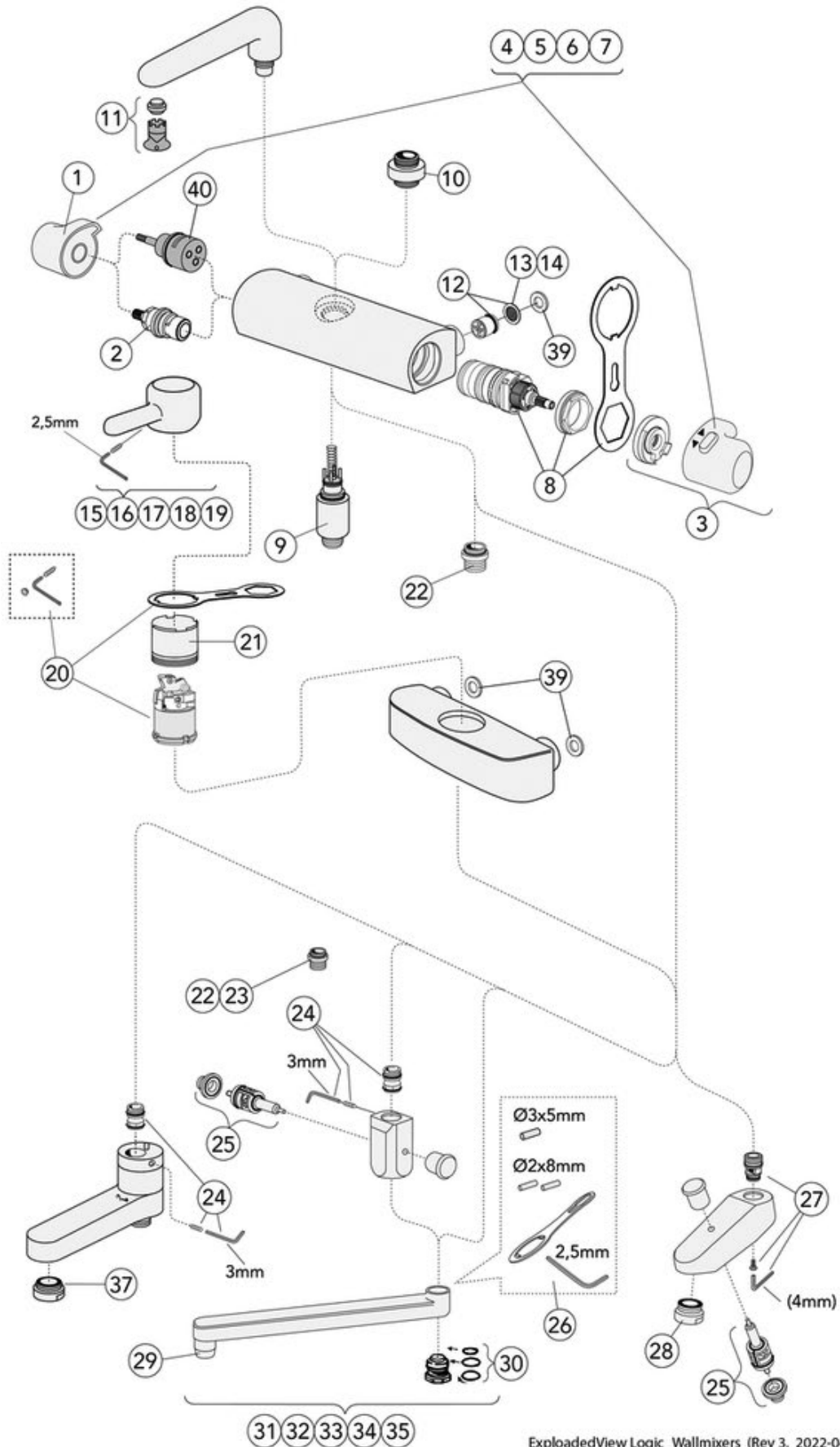


DETALJENUMMER OG PRODUKT	NRF. NR.	ART. NR.	VEIL. PRIS EKS. MVA.	VEIL. PRIS INKL. MVA.
1 Ratt for mengdeside	4342635	GB41637804 01	154	193
2 Tidsinnstilt trykkventil		GB41631830	7.022	8.777
3 Utløpsnippel for Square / Round dusjsett		GB41639453 01	100	125
4 Utløpsnippel 1/2"		GB41639457 01	124	155
6 Tilkoblingsnippel med tilbakeslagsventil G1/2-G1/2	4341952	GB41632814 02	180	225
7 Vender/Ventil overstykke		GB41639500 01	538	673
8 Monteringsdetaljer	4341953	GB41634577	121	151
9 Ratt for mengdeside		GB41639456 01	153	191
10 Plugg G1/2	4341954	GB41633784	188	235
11 HC spak for mengde/temperatursiden	4342637	GB41637840 02	246	308
12 Ventiloverstykke	4343314	GB41634035 01	180	225
13 Tilbakeslagsventil med filter	4343096	GB41632698 02	195	244
14 Filter for tilbakeslagsventil (2 pakning)	4343065	GB41635633 02	65	81
15 Filter for tilbakeslagsventil (10 pakning)	4341955	GB41635633 10	65	81
19 Tilkoplingsnippel G1/2-M20x1,5	4341962	GB41634757 01	180	225
20 Tilkoplingsnippel med tilbakeslagsventil G1/2-M20x1,5	4343363	GB41634756 01	180	225
21 Tilkoblingsnippel for omkastere	4343362	GB41636359 01	68	85
22 Draomkastere	4341963	GB41636577 01	332	415
23 Detaljer for slagbegrensning tut	4342754	GB41633972	69	86
24 Tilkoblingsnippel for utløpstut	4343368	GB41637347	180	225
25 Strålesamlere M28x1, krom	4343123	GB41634555 01	424	530
26 Strålesamlere M24x1 B	4343241	GB41630131 01	123	154
27 O-ringsats for utløpstut	4342755	GB41633952 01	74	93
28 Strålesamlere M24x1 D		GB41638275 01	358	448
31 Termostatinnattsats (CA77N)	4342726	GB41638334 01	543	679
32 Ratt for temperatursiden (CA77N)	4341957	GB41638336 01	68	85
33 Tilkoplingsnippel G1/2xG1/2	4341958	GB41632815	180	225
34 Tilkoplingsnippel G1/2-G1/2	4341959	GB41638339 01	68	85
35 Svingbar utløpstut 85 mm	4342879	GB41633631	614	768
36 Svingbar utløpstut 150mm	4342877	GB41633632	614	768
37 Svingbar utløpstut 200mm	4342878	GB41633633	817	1.021
38 Svingbar utløpstut 250mm	4342868	GB41633614	844	1.055
39 Svingbar utløpstut 350mm	4342625	GB41633616	1.080	1.350
41 Funksjonstilpassede ratt, rød		GB41637845 02	82	103
42 Sluk-knott for omkaster		GB41636822 01	58	73
43 Pakning, Ø 24,2-15,3x3		GB41635641	23	29
51 Tilkoblingsnippel M20x1,5 G1/2, Blyfri		GB41638955 01	97	121
52 Plugg G1/2, Blyfri		GB41638998 02	2.016	2.520
53 Tilkoblingsnippel G1/2xG1/2, Blyfri		GB41638997 02	2.209	2.761



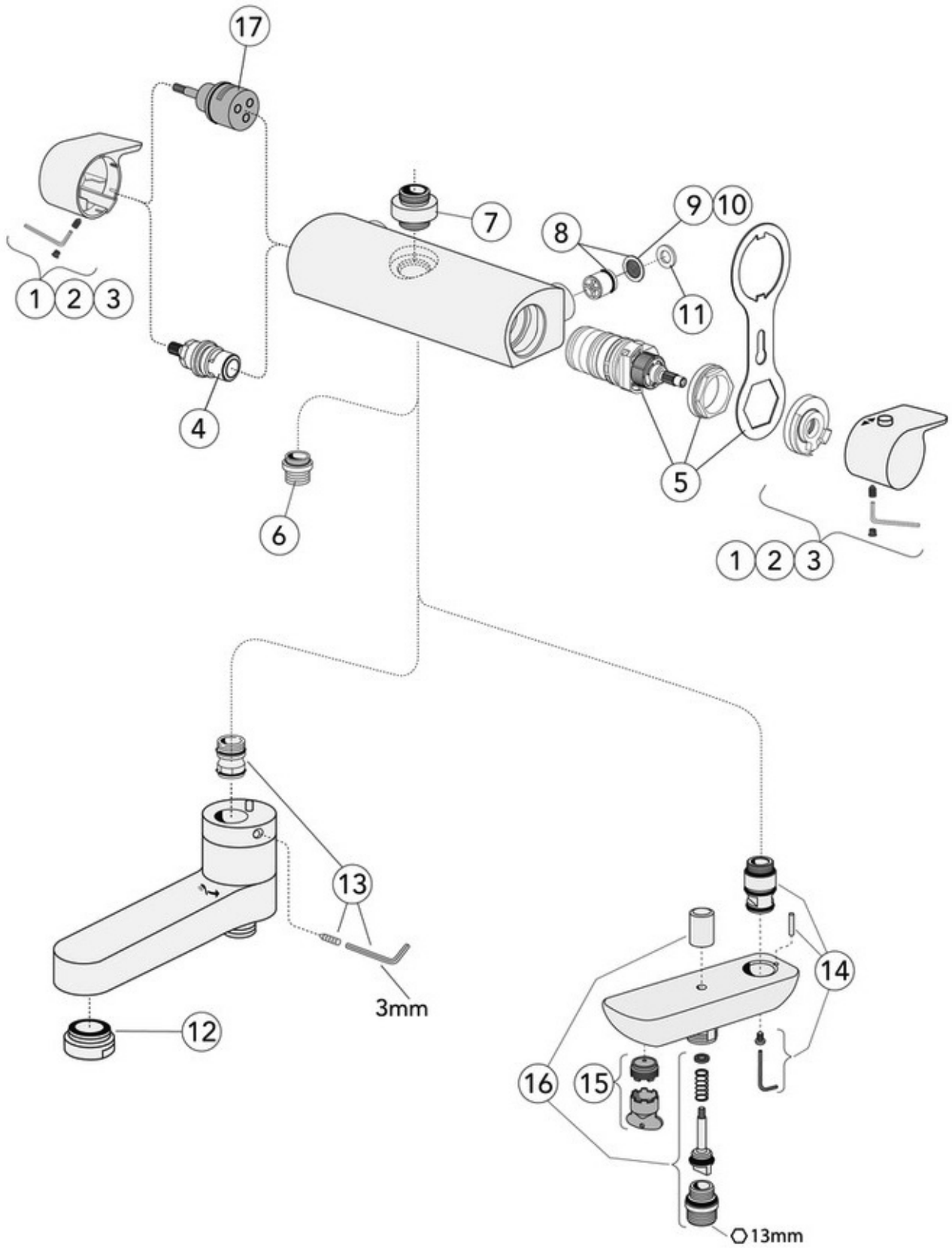
ExplodedView Atlantic_thermostatic_mixer (Rev 2. 2020-11-18)

DETALJENUMMER OG PRODUKT	NRF. NR.	ART. NR.	VEIL. PRIS EKS. MVA.	VEIL. PRIS INKL. MVA.
1 Ratt for mengde og temperatur		GB41639542 02	355	443
2 Tidsinnstilt trykkventil (Presto)		GB41631830	7.022	8.777
3 Utløpsnippel for Square / Round dusjsett		GB41639453 01	100	125
4 Utløpsnippel 1/2"		GB41639457 01	124	155
6 Tilkoblingsnippel med tilbakeslagsventil G1/2-G1/2	4341952	GB41632814 02	180	225
7 Vender/Ventil overstykke		GB41639500 01	538	673
8 Monteringsdetaljer	4341953	GB41634577	121	151
10 Plugg G1/2	4341954	GB41633784	188	235
12 Ventiloverstykke	4343314	GB41634035 01	180	225
13 Tilbakeslagsventil med filter	4343096	GB41632698 02	195	244
14 Filter for tilbakeslagsventil (2 pakning)	4343065	GB41635633 02	65	81
15 Filter for tilbakeslagsventil (10 pakning)	4341955	GB41635633 10	65	81
19 Tilkoplingsnippel G1/2-M20x1,5	4341962	GB41634757 01	180	225
20 Tilkoplingsnippel med tilbakeslagsventil G1/2-M20x1,5	4343363	GB41634756 01	180	225
21 Tilkoblingsnippel for omkastere	4343362	GB41636359 01	68	85
22 Draomkastere	4341963	GB41636577 01	332	415
23 Detaljer for slagbegrensning tut	4342754	GB41633972	69	86
24 Tilkoblingsnippel for utløpstut	4343368	GB41637347	180	225
25 Strålesamlere M28x1, krom	4343123	GB41634555 01	424	530
26 Perlator/Strålesamler M24x1 B	434241	GB41630131 01	123	154
27 O-ringsats for utløpstut	4342755	GB41633952 01	74	93
28 Strålesamlere M24x1 D		GB41638275 01	358	448
31 Termostatinnsetts (CA77N)	4342726	GB41638334 01	543	679
33 Tilkoplingsnippel G1/2xG1/2	4341958	GB41632815	180	225
34 Utløpsnippel G1/2xG1/2	4341959	GB41638339 01	68	85
35 Svingbar utløpstut 85 mm	4342879	GB41633631	614	768
36 Svingbar utløpstut 150 mm	4342877	GB41633632	614	768
37 Svingbar utløpstut 200 mm	4342878	GB41633633	817	1.021
38 Svingbar utløpstut 250 mm	4342868	GB41633614	844	1.055
39 Svingbar utløpstut 350 mm	4342625	GB41633616	1.080	1.350
42 Sluk-knott for omkaster		GB41636822 01	58	73
43 Pakning, Ø 24,2-15,3x3		GB41635641	23	29
51 Tilkoblingsnippel M20x1,5 G1/2, Blyfri		GB41638955 01	97	121
52 Plugg G1/2, Blyfri		GB41638998 02	2.016	2.520
53 Tilkoblingsnippel G1/2xG1/2, Blyfri		GB41638997 02	2.209	2.761



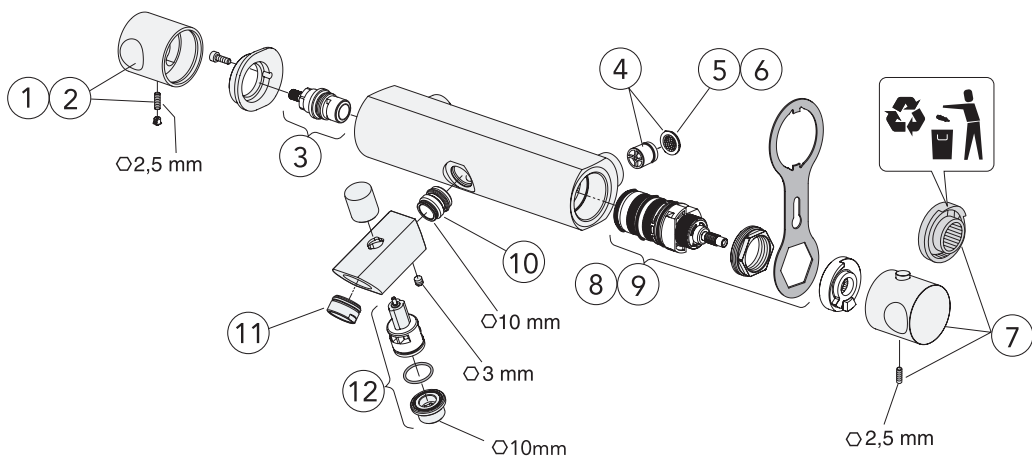
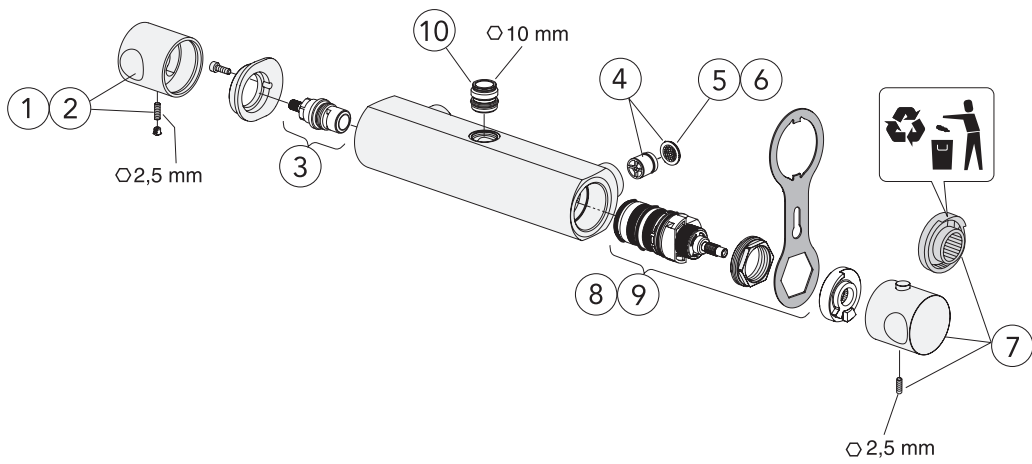
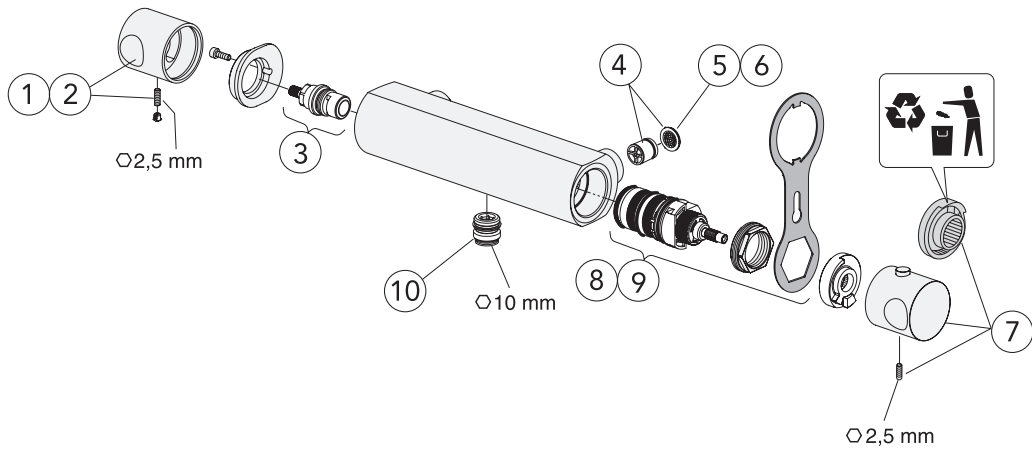
ExplodedView Logic_Wallmixers (Rev 3. 2022-04-26)

DETALJENUMMER OG PRODUKT	NRF. NR.	ART. NR.	VEIL. PRIS EKS. MVA.	VEIL. PRIS INKL. MVA.
1 Ratt for mengdeside	4342785	GB41638530 01	153	191
2 Ventiloverstykke		GB41638529 01	180	225
3 Ratt for temperaturside	4342786	GB41638525 01	153	191
8 Termostatinnsett for dusjslange	4342726	GB41638334 01	543	679
9 Omkaster	4342787	GB41638545 01	346	433
10 Tilkoblingsnippel G1/2xG1/2	4341959	GB41638339 01	68	85
11 Strålesamler, Cache-CC-STDM24x1 "D"	4342788	GB41638542 01	421	526
12 Tilbakeslagsventil med filter	4343096	GB41632698 02	195	244
13 Filter for tilbakeslagsventil (2 pakning)	4343065	GB41635633 02	65	81
14 Filter for tilbakeslagsventil (10 pakning)	4341955	GB41635633 10	65	81
15 Ettgrepspak, krom	4342766	GB41638514 01	355	444
20 Kerampakke	4342792	GB41637352 01	595	744
21 Låsring M45x1,5	4342753	GB41637261 01	169	211
22 Tilkoblingsnippel M20x1,5-G1/2	4341962	GB41634757 01	180	225
23 Tilkoblingsnippel m/tilbakeslagsventil G1/2-M20x1,5	4343363	GB41634756 01	180	225
24 Tilkoblingsnippel for omkaster	4343362	GB41636359 01	68	85
25 Draomkaster	4341963	GB41636577 01	332	415
26 Detaljer for slagbegrensning tut	4342754	GB41633972	69	86
27 Tilkoblingsnippel for utløpstut	4343368	GB41637347	180	225
28 Strålesamler M28x1, krom	4343123	GB41634555 01	424	530
29 Strålesamler M24x1	4343241	GB41630131 01	123	154
30 O-ring for utløpstut	4342755	GB41633952 01	74	93
31 Svingbar utløpstut 85 mm	4342879	GB41633631	614	768
32 Svingbar utløpstut 150 mm	4342877	GB41633632	614	768
33 Svingbar utløpstut 200 mm	4342878	GB41633633	817	1.021
34 Svingbar utløpstut 250 mm	4342868	GB41633614	844	1.055
35 Svingbar utløpstut 350 mm	4342625	GB41633616	1.080	1.350
37 Strålesamler M24x1 D	4342717	GB41637387 01	424	530
38 Sluk-knott for omkaster		GB41636822 01	58	73
39 Pakning, Ø 24,2-15,3x3		GB41635641	23	29
40 Omkaster (vrideren skiftes via utløp opp og ned)		GB41639500 01	538	673

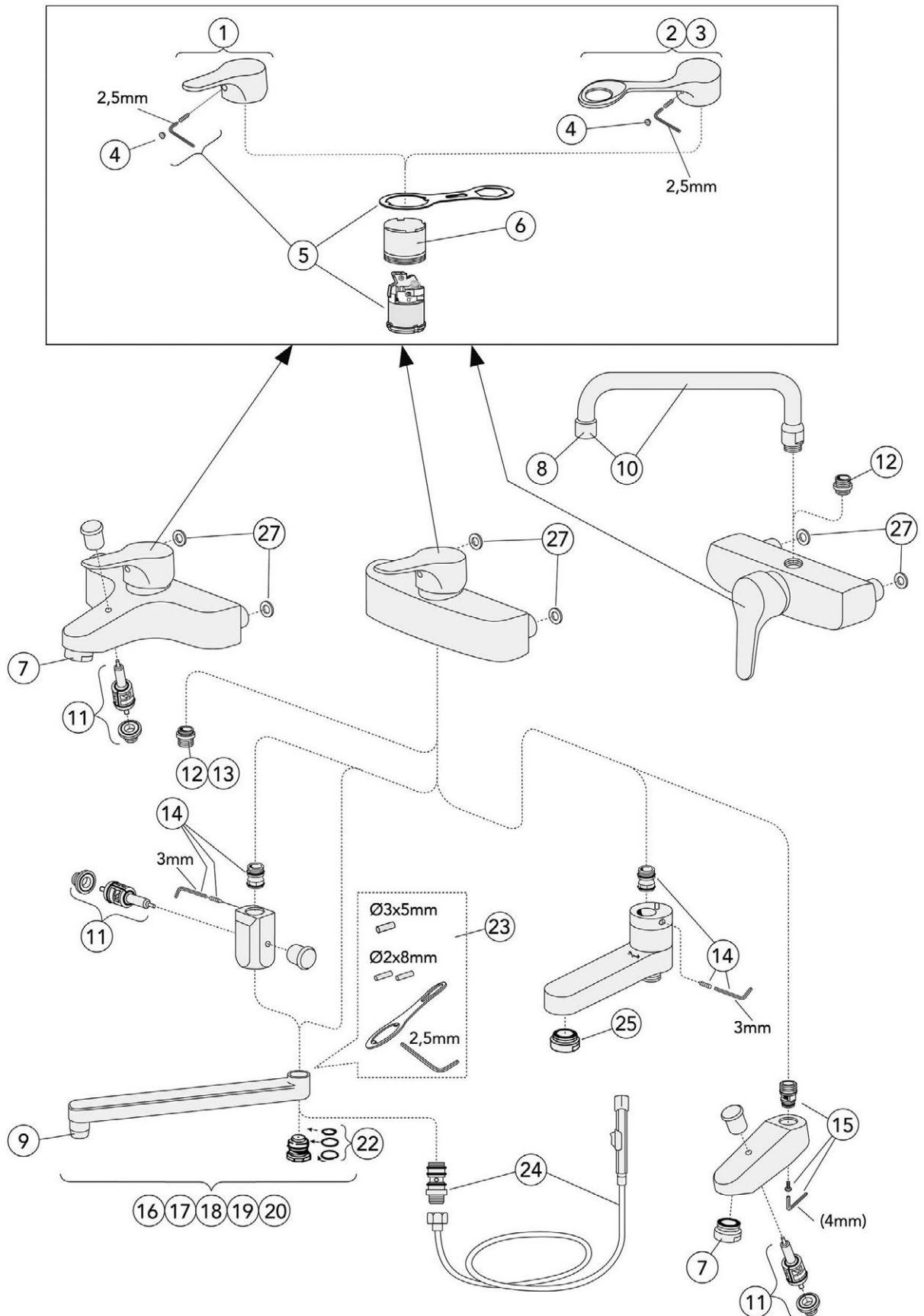


ExplodedView Estetic_thermomixer (Rev 2. 2022-04-20)

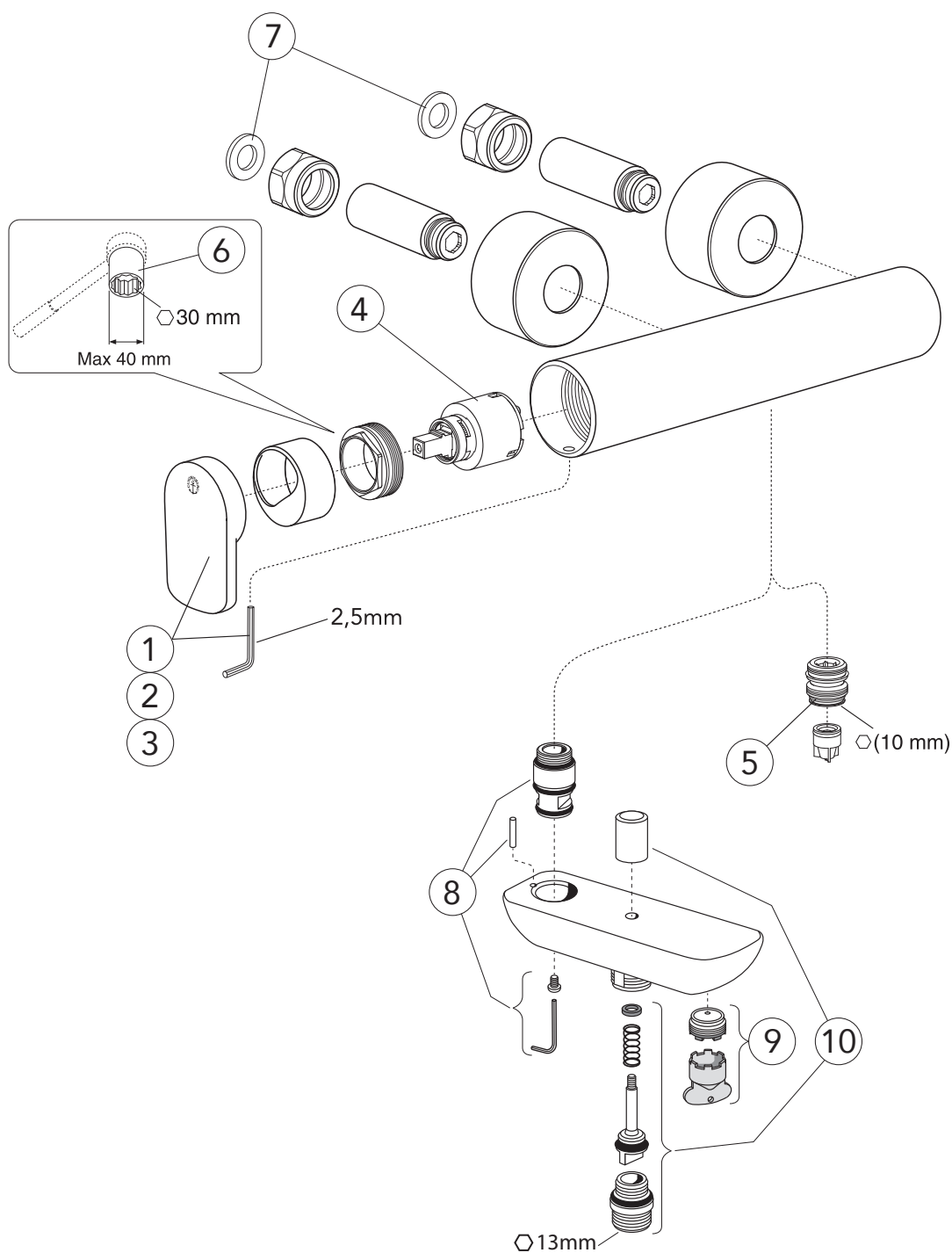
DETALJENUMMER OG PRODUKT	NRF. NR.	ART. NR.	VEIL. PRIS EKS. MVA.	VEIL. PRIS INKL. MVA.
1 Ratt for dusjkran Estetic krom		GB41639390 01	688	861
2 Ratt for dusjkran Estetic, matt sort		GB41639390 53	1.055	1.319
3 Ratt for dusjkran Estetic, matt hvit		GB41639390 41	1.030	1.287
4 Ventiloverstykke		GB41638529 01	180	225
5 Termostatinnsett (CA77N)	4342726	GB41638334 01	543	679
6 Tilkoblingsnippel G1/2-M20x1,5	4341962	GB41634757 01	180	225
7 Utløpsnippel G1/2xG1/2	4341959	GB41638339 01	68	85
8 Tilbakeslagsventil med filter	4343096	GB41632698 02	195	244
9 Filter for tilbakeslagsventil	434065	GB41635633 02	65	81
10 Filter for tilakeslangventil	4341955	GB41635633 10	65	81
11 Pakkning ø24,2-15,3x3 for anslutning 150 cc		GB41635641	23	29
12 Perlator/Strålesamler M24x1 D	4342717	gb41637387 01	424	530
13 Anslutningsnippel for omkaster	4343362	GB41636359 01	68	85
14 Anslutningsnippel for badekarstut		GB41639298 01	188	234
15 Perlator/strålesamler Cache, M24x1-D, SLC		GB41639282 01	317	396
16 Draomkastare		GB41639328 01	333	416
17 Omkaster (vrideren skiftes via utløp opp og ned)		GB41639500 01	538	673



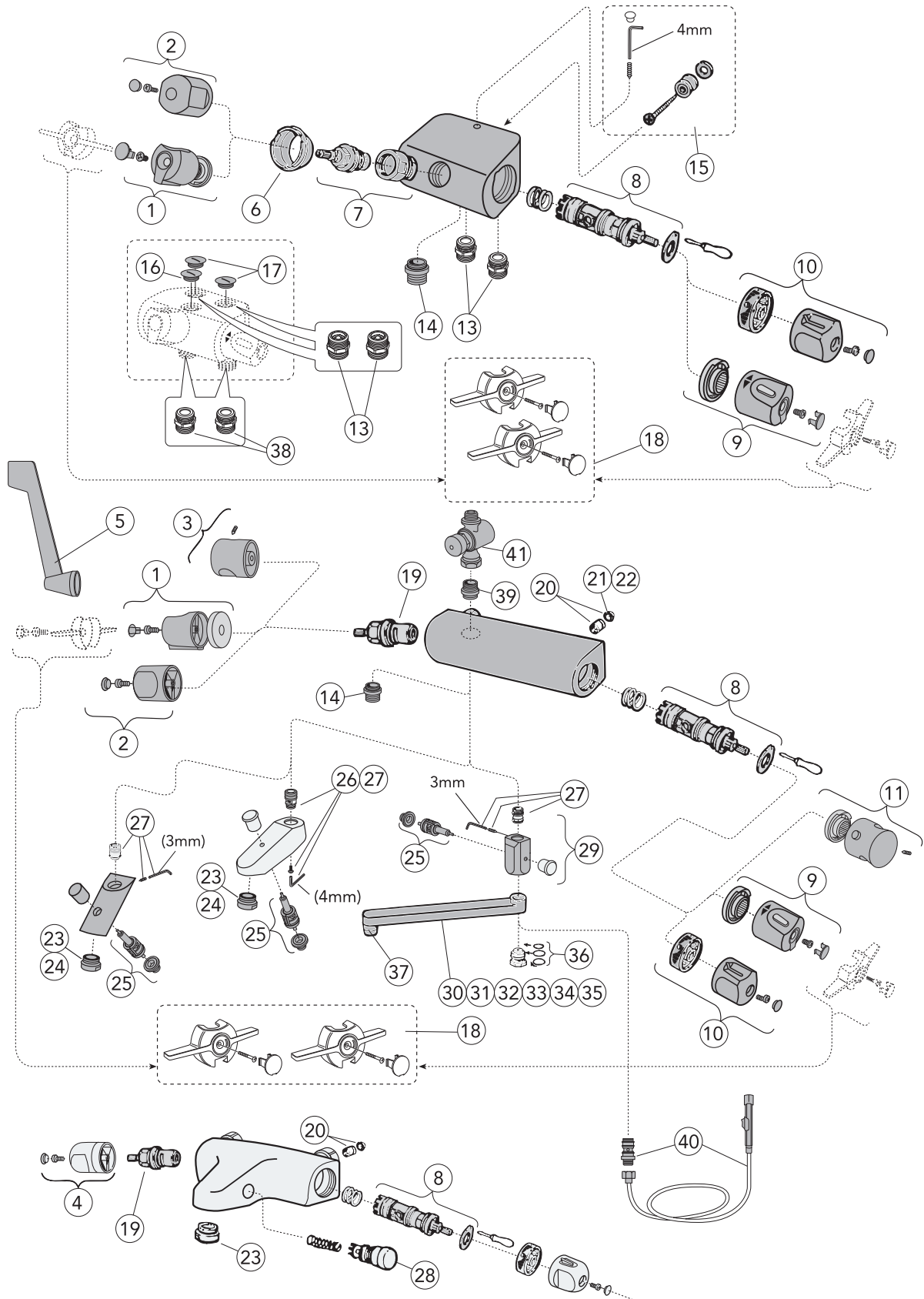
DETALJENUMMER OG PRODUKT	NRF. NR.	ART. NR.	VEIL. PRIS EKS. MVA.	VEIL. PRIS INKL. MVA.
1 Ratt for mengdesiden -2010.09	4342779	GB41638281 01	693	866
2 Ratt for mengdesiden 2010.09-	4342684	GB41636465 01	1.035	1.294
3 Ventiloverstyrke	4342782	GB41638283 01	179	224
4 Bakventil med filter	4343096	GB41632698 02	195	244
5 Filter for bakventil (2 pakning)	4343065	GB41635633 02	65	81
6 Filter for bakventil (10 pakning)	4341955	GB41635633 10	65	81
7 Ratt for temperatursiden	4342685	GB41636460 01	1.035	1.294
8 Termostatinnsettsats -2010.09	4342783	GB41638287 01	543	679
9 Termostatinnsettsats (CA77N) 2010.09-	4342726	GB41638334 01	543	679
10 Tilkoplingnippel M20x1,5-G1/2	4342723	GB41637410	179	224
11 Strålesamler M24x1	4342717	GB41637387 01	424	530
12 Draomkaster	4342725	GB41637416	465	581
13 Pakning Ø24,2 - 15,3 x 3		GB41635641	23	29



DETALJENUMMER OG PRODUKT	NRF. NR.	ART. NR.	VEIL. PRIS EKS. MVA.	VEIL. PRIS INKL. MVA.
1 Ettgrepsspak Nautic	4343366	GB41637250	335	419
2 Ettgrepsspak HC Nautic, blifri	4342627	GB41637360 01	483	604
3 Ettgrepsspak HC Nautic (Rød/blå markering)	4342735	GB41637363 01	501	626
4 Dekkplugg Rød/blå merking	4342661	GB41634828 01	153	191
5 Servicepatron m/verktøy Nautic/Logic	4343367	GB41637267 01	595	744
6 Låsring M45x1,5	4342753	GB41637261 01	169	211
7 Strålesamlere M28x1	4343123	GB41634555 01	424	530
8 Strålesamlere M22x1	4343242	GB41630129 01	123	154
9 Strålesamlere M24x1	4343241	GB41630131 01	123	154
10 Utløpstut 250	4342624	GB41630184	844	1.055
11 Draomkaster	4341963	GB41636577 01	332	415
12 Tilkoplingsnippel G1/2-M20x1,5	4341962	GB41634757 01	180	225
13 Tilkobl.nippel m/tilb.sl.ventil f/dusjslange G1/2-M20x1,5	4343363	GB41634756 01	180	225
14 Tilkoplingsnippel for omkastere	4343362	GB41636359 01	68	85
15 Tilkoplingsnippel for badekartut	4343368	GB41637347	180	225
16 Svingbar utløpstut 85 mm	4342879	GB41633631	614	768
17 Svingbar utløpstut 150 mm	4342877	GB41633632	614	768
18 Svingbar utløpstut 200 mm	4342878	GB41633633	817	1.021
19 Svingbar utløpstut 250 mm	4342868	GB41633614	844	1.055
20 Svingbar utløpstut 350 mm	4342625	GB41633616	1.080	1.350
22 O-ringsats for utløpstut	4342755	GB41633952 01	74	93
23 Detaljer for slagbegrensning tut	4342754	GB41633972	69	86
24 Hånddusj for veggmonterte blandebatterier m/slange	4343335	GB41634210	1.067	1.334
25 Strålesamler M24x1 D	4342717	GB41637387 01	424	530
26 Sluk-knott for omkaster		GB41636822 01	58	73
27 Pakning, Ø 24,2-15,3x3		GB41635641	23	29
51 Låsring M45x1,5 (blyfri)		GB41638981 01	387	484
52 Tilkoblingsnippel M20x1,5 G1/2 (blyfri)		GB41638955 01	97	121
53 Tilbakeslagsventil med filter	4343096	GB41632698 02	195	244



DETALJENUMMER OG PRODUKT	NRF. NR.	ART. NR.	VEIL. PRIS EKS. MVA.	VEIL. PRIS INKL. MVA.
1 Spak for dusjkran, Estetic, krom		GB41639330 01	328	410
2 Spak for dusjkran, Estetic, sort (Utgående, restlager)		GB41639330 23	1.378	1.723
3 Spak for dusjkran, Estetic, matt hvit (Utgående, restlager)		GB41639330 41	1.315	1.644
4 Servicepatron/Kar/Dusjkran Coloric, Estetic		GB41637393	260	325
5 Anslutningsnippel med tilbakesventil G1/2-M20x1,5		GB41634756 01	180	225
6 Hylse Nv 30		GB41638429 01	246	308
7 Pakkning ø24,2-15,3x3 för anslutning 150 cc		GB41635641	23	29
8 Anslutningsnippel for badekartut		GB41639298 01	188	234
9 Perlator/strålesamler, Cache, M24x1-D, SLC		GB41639282 01	317	396
10 Draomkaster		GB41639328 01	333	416

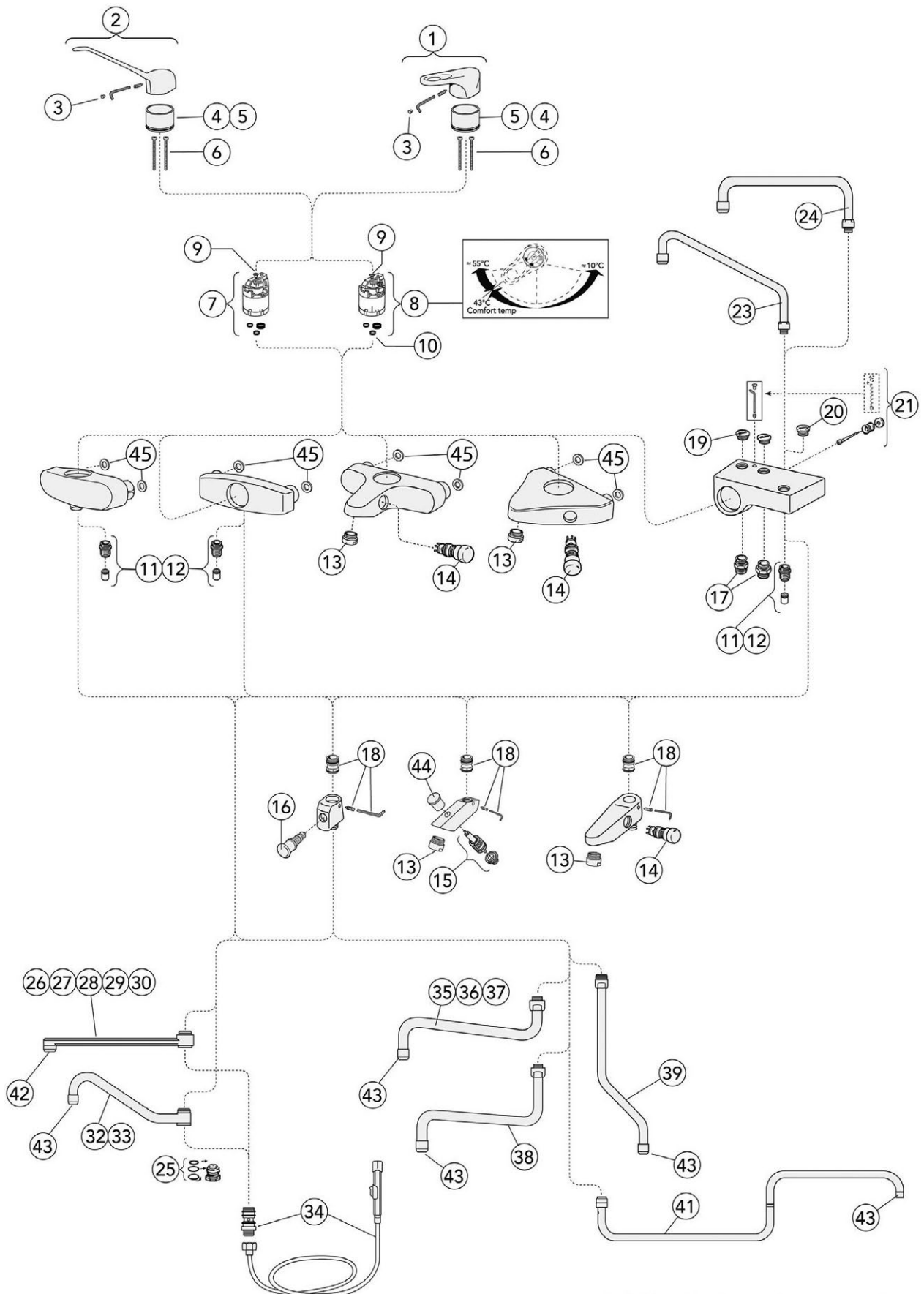




Reservedeler - Nordic, Nautic og Skandic termostat

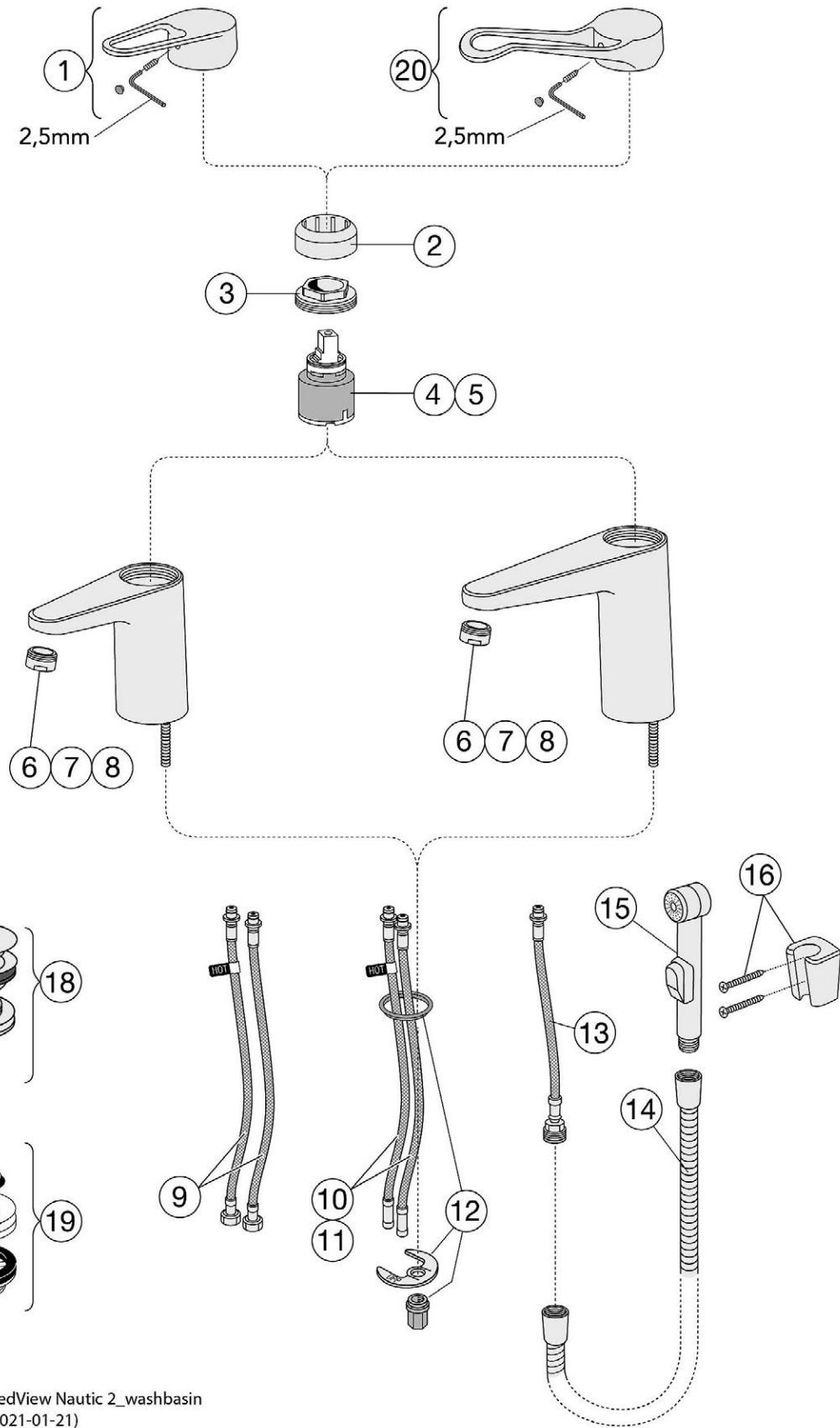
DETALJENUMMER OG PRODUKT	NRF. NR.	ART. NR.	VEIL. PRIS EKS. MVA.	VEIL. PRIS INKL. MVA.
1 Ratt for mengdesiden Nautic	4342635	GB41637804 01	154	193
2 Ratt for mengdsiden Nordic	4343061	GB41636479 01	154	193
3 Ratt for mengdsiden Skandic 03	4342684	GB41636465 01	1.035	1.294
9 Ratt for temperatursiden Nautic (gammel)	4342636	GB41637810 01	154	193
10 Ratt for temperatursiden Nordic	4343062	GB41636480 01	157	196
11 Ratt for temperatursiden Skandic 03	4342685	GB41636460 01	1.035	1.294
13 Tilkoblingsnippel med tilbakeslagsventil G1/2-G1/2	4341952	GB41632814 02	180	225
14 Utløpsnippel M20x1,5-G1/2	4341962	GB41634757 01	180	225
18 HC spak for mengde/temperatursiden	4342637	GB41637840 02	246	308
19 Kompl. overdel f/mengdeside	4343314	GB41634035 01	180	225
20 Tilbakeslagsventil med filter	4343096	GB41632698 02	195	244
21 Filter for tilbakeslagsventil	4343065	GB41635633 02	65	81
23 Strålesamler M28x1, krom	4343123	GB41634555 01	424	530
24 Strålesamler M28x1, grå	4342692	GB41634078 01	429	536
25 Draomkaster	4341963	GB41636577 01	332	415
26 Tilkoblingsnippelsnippel 20x1,5 2007 10-	4343368	GB41637347	180	225
27 Tilkoblingsnippelsnippel M20x1,5 -2007 10	4343362	GB41636359 01	68	85
28 Omkaster	4343124	GB41634799 0001	232	290
29 Omkaster	4342634	GB41637315	885	1.106
30 Svingbar utløpstut 85 mm	4342879	GB41633631	614	768
31 Svingbar utløpstut 150 mm	4342877	GB41633632	614	768
32 Svingbar utløpstut 200 mm	4342878	GB41633633	817	1.021
33 Svingbar utløpstut 250 mm	4342868	GB41633614	844	1.055
34 Svingbar utløpstut 350 mm	4342625	GB41633616	1.080	1.350
35 Svingbar utløpstut 400 mm	4342626	GB41633624	1.130	1.413
36 O-ringsats for utløpstut	4342755	GB41633952 01	74	93
37 Strålesamlere M24x1	4343241	GB41630131 01	123	154
38 Tilkoblingsnippel G1/2xG1/2	4341958	GB41632815	180	225
39 Utløpsnippel G1/2xG1/2	4341959	GB41638339 01	68	85
40 Hånddusj for veggmonterte blandebatterier m/slange	4343335	GB41634210	1.067	1.334
41 Tidsinnstilt trykkventil (Presto)		GB41631830	7.022	8.777

RESERVEDELER



ExplodedView Old_wall_mixers (Rev 3. 2020-11-18)

DETALJENUMMER OG PRODUKT	NRF. NR.	ART. NR.	VEIL. PRIS EKS. MVA.	VEIL. PRIS INKL. MVA.
1 Ettgrepspak Nordic	4343347	GB41636617 01	247	309
2 Ettgrepspak RH Nordic	4342991	GB41635430 01	483	604
3 Dekkkplugg rød/blå merking	4342661	GB41634828 01	153	191
4 Kåpe gjenget	4343166	GB41634470 01	169	211
5 Kåpe med O-ring	4343126	GB41636326 01	174	218
6 Skruer M5x40	4343216	GB41632731 02	69	86
7 Servicepatron inkl. topplokk (634955-01)	4343196	GB41633877 01	708	885
8 Servicepatron TT-funksjon	4343059	GB41635678 8701	688	860
9 Spakfeste TP 6-19		GB41636319	69	86
10 Gummipakning f/servicepatron	4343211	GB41633513 01	89	111
11 Tilkoplingsnippel G1/2-M20x1,5	4341962	GB41634757 01	180	225
12 Tilkoplingsnippel med backventil G1/2-M20x1,5	4343363	GB41634756 01	180	225
13 Strålesamlere M28x1	4343123	GB41634555 01	424	530
14 Omkastere	4343124	GB41634799 0001	232	290
15 Draomkastere	4341963	GB41636577 01	332	415
16 Draomkastere		GB41635175 01	341	426
17 Tilkoblingsnippel	4341958	GB41632815	180	225
18 Tilkoplingsnippel for omkastere	4343362	GB41636359 01	68	85
19 Plugg G1/2	4341954	GB41633784	188	235
20 Plugg M20x1,5		GB41632936	334	417
21 Monteringssett	4341953	GB41634577	121	151
24 Svingbar tut, 250 mm	4342624	GB41630184	844	1.055
25 O-ringsats for utløpstut	4342755	GB41633952 01	74	93
26 Svingbar utløpstut 85 mm	4342879	GB41633631	614	768
27 Svingbar utløpstut 150 mm	4342877	GB41633632	614	768
28 Svingbar utløpstut 200 mm	4342878	GB41633633	817	1.021
29 Svingbar utløpstut 250 mm	4342868	GB41633614	844	1.055
30 Svingbar utløpstut 350 mm	4342625	GB41633616	1.080	1.350
32 Svingbar utløpstut 250 mm		GB41633644	607	759
33 Svingbar utløpstut 410 mm		GB41633646	975	1.219
34 Håndduj for veggmonterte blandebatterier	4343335	GB41634210	1.067	1.334
35 Svingbar utløpstut 150 mm	4342815	GB41630191	457	571
36 Svingbar utløpstut 250 mm	4342819	GB41630194	622	778
37 Svingbar utløpstut 350 mm	4342975	GB41630197	501	626
38 Svingbar utløpstut 250 mm	4342977	GB41630196	501	626
41 Svingbar utløpstut 945 mm	4342811	GB41630151	2.354	2.943
42 Strålesamlere M24x1B	4343241	GB41630131 01	123	154
43 Strålesamlere M22x1	4343242	GB41630129 01	123	154
44 Trekk knappen for draomkaster		GB41636822 01	58	73
45 Pakning Ø24,2 - 15,3 x 3		GB41635641	23	29



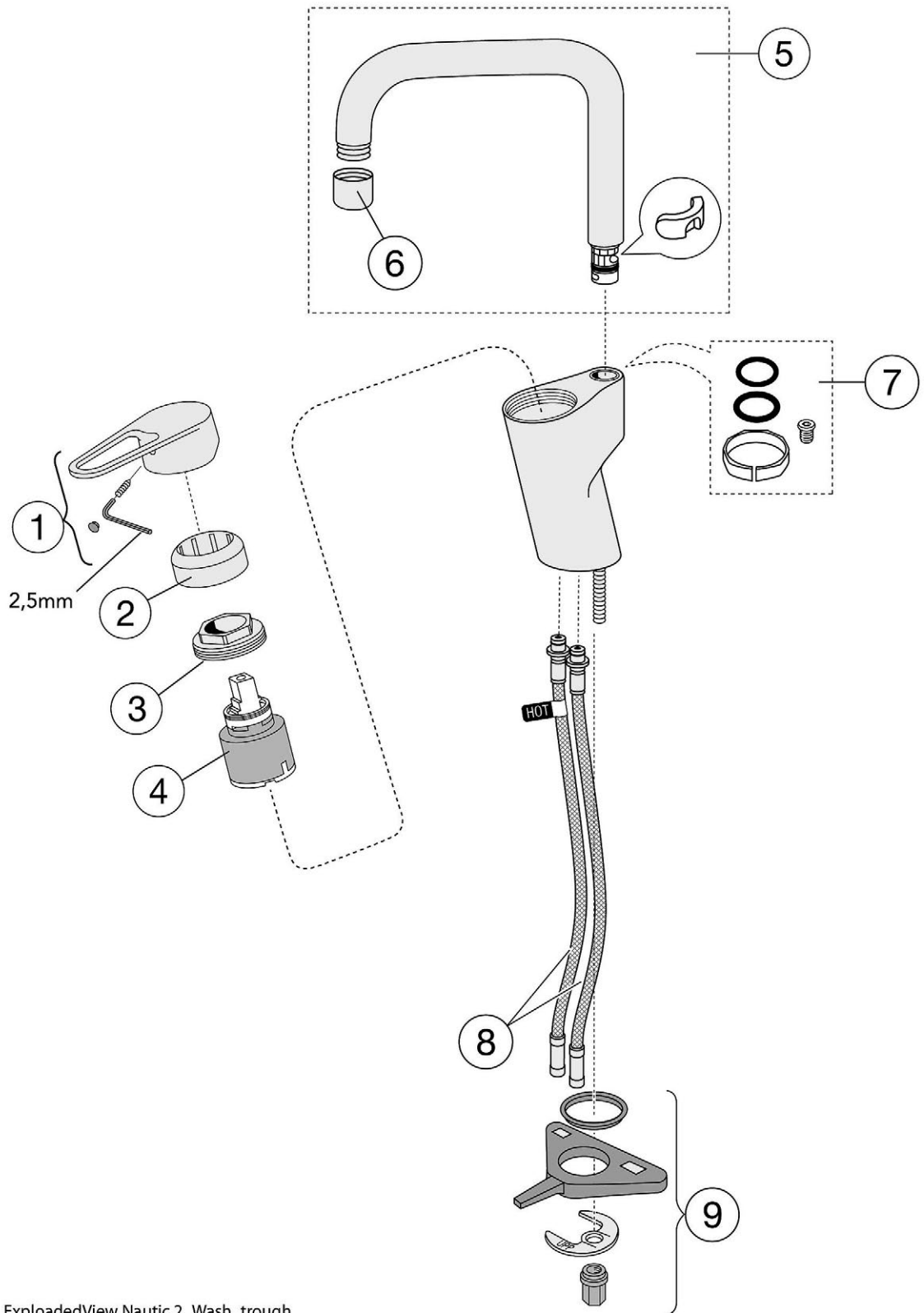
ExplodedView Nautic 2_washbasin
(Rev 1. 2021-01-21)



Reservevedeler - Nye Nautic servantkran år 2021-

DETALJENUMMER OG PRODUKT	NRF. NR.	ART. NR.	VEIL. PRIS EKS. MVA.	VEIL. PRIS INKL. MVA.
1 Ettgrepsspak Nye Nautic		GB41639803 01	350	437
2 Dekkekåpe		GB41639523 01	177	221
3 Mutter -- kerampakke		GB41639522 01	242	303
4 Kerampakke 35mm smart + standard	4342719	GB41637393	260	325
5 Kerampakke 35mm smart + energieffektiv		GB41639567 01	361	451
6 Strålesamler M24 x 1B	4343241	GB41630131 01	123	154
7 Strålesamler M24 x 4,5 l/min		GB41639565 01	180	225
8 Parlator/ strålesamler		GB41639171 01	229	286
10 SoftPex-slange		GB41638721 02	245	306
12 Monteringssett		GB41639936 01	145	182
13 SoftPex-slange 300 mm		GB41638720 01	346	433
14 Dusjslange biflex	4343804	GB41636263 00	137	171
15 Hånddusj	4343121	GB41633860 33	758	948
16 Feste til hånddusj	4340714	GB41637575	140	175
18 Push-down ventil	4343054	GB41636575 01	519	649
19 Pluggventil for silfilter	4342653	GB41637445	664	830
20 Ettgrepsspak Care	4340418	GB41639801 01	483	604
Monteringsverktøy		GB4300001510	284	355

RESERVEDELER

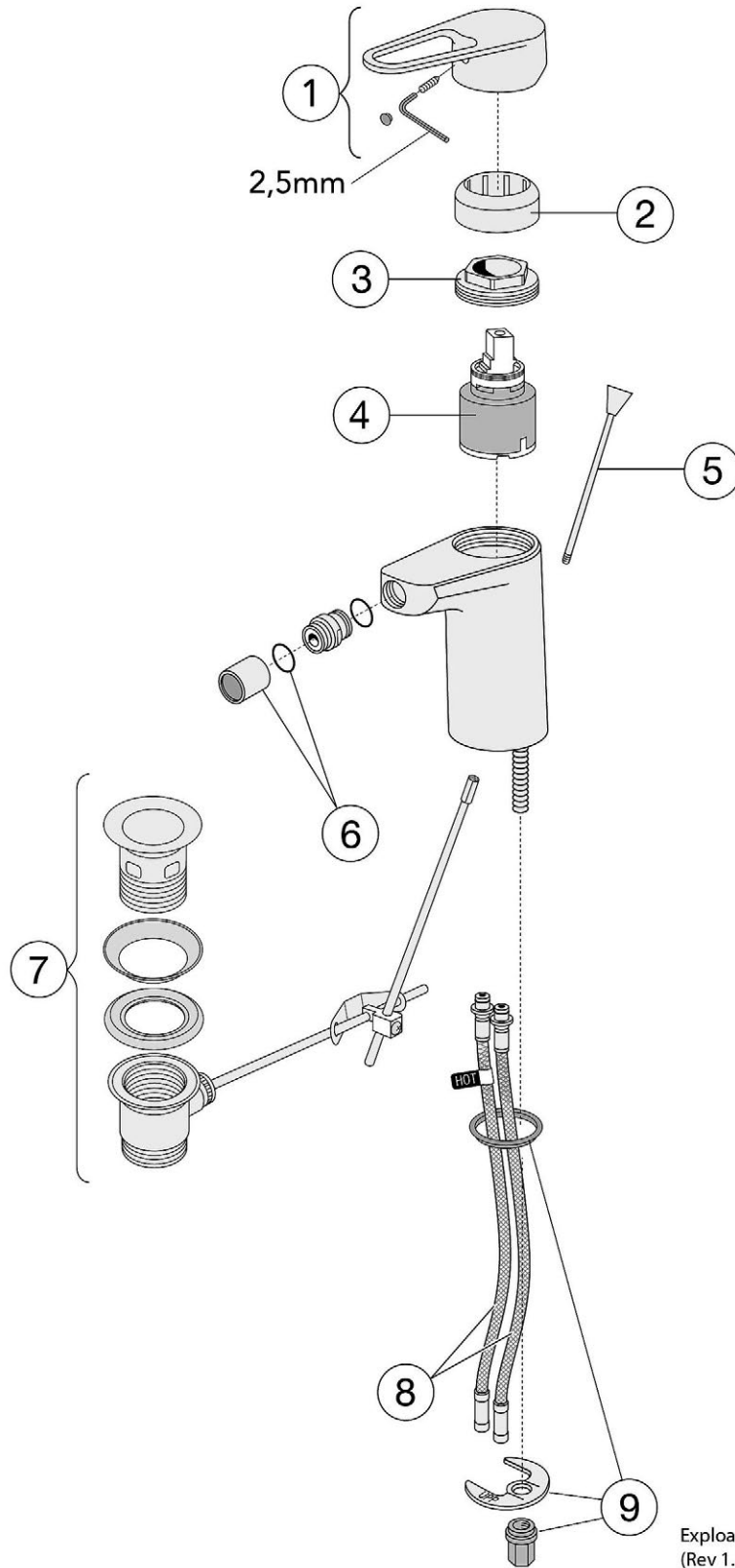


ExplodedView Nautic_2_Wash_trough
(Rev 1. 2021-01-19)



Reservedeler - Nye Nautic vaskerenne kran år 2021-

DETALJENUMMER OG PRODUKT	NRF. NR.	ART. NR.	VEIL. PRIS EKS. MVA.	VEIL. PRIS INKL. MVA.
1 Ettgrepsspak Nye Nautic		GB41639803 01	350	437
2 Dekkekåpe		GB41639523 01	177	221
3 Mutter - kerampakke		GB41639522 01	242	303
4 Kerampakke 35mm smart + standard	4342719	GB41637393	260	325
6 Strålesamler M22 x 1	4343242	GB41630129 01	123	154
7 O-ringsats	4342659	GB41637010 01	156	195
8 SoftPex-slange		GB41638721 02	245	306
9 Monteringssett		GB41639937 01	145	182



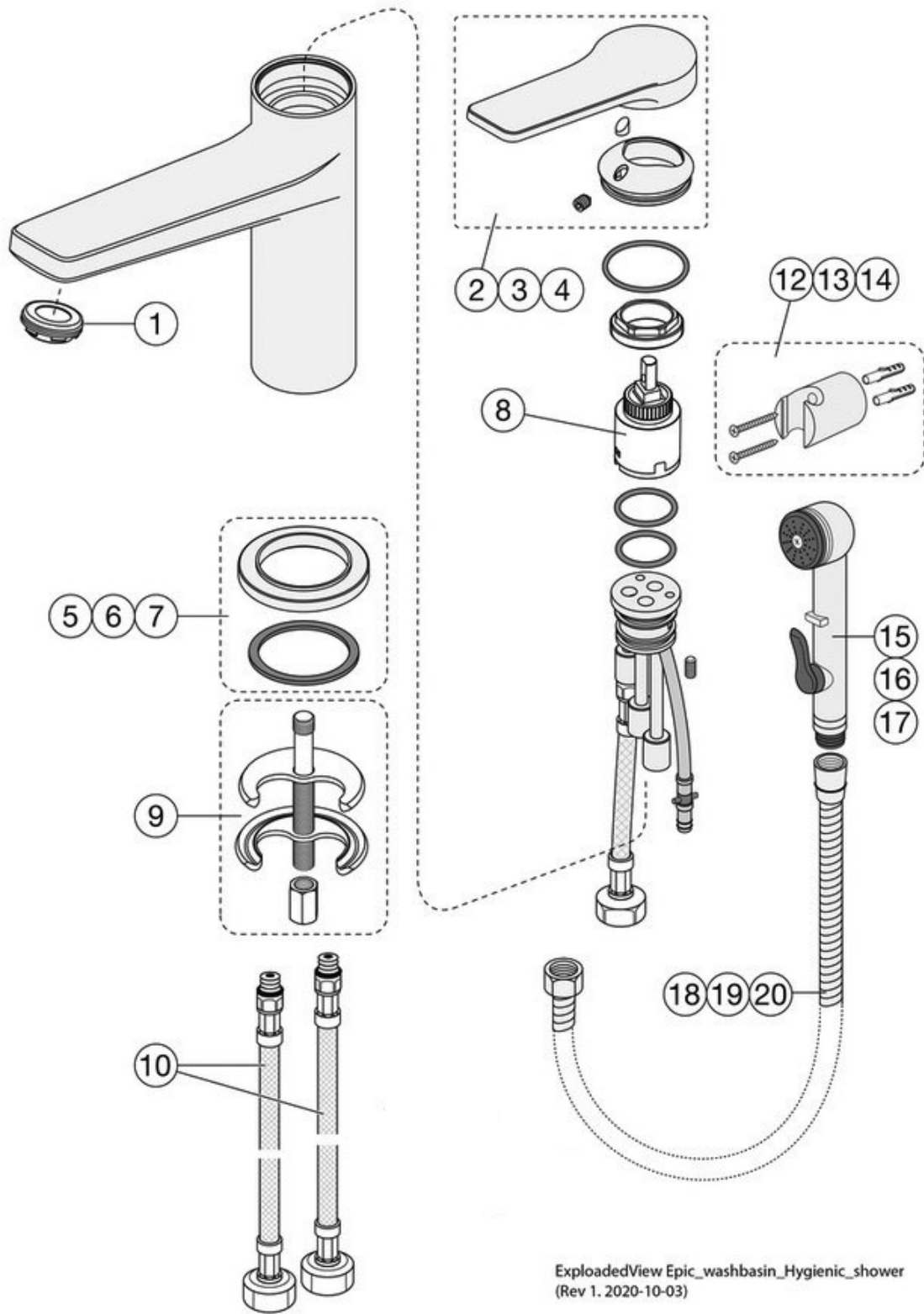
ExplodedView Nautic 2_Bide
(Rev 1. 2021-01-19)



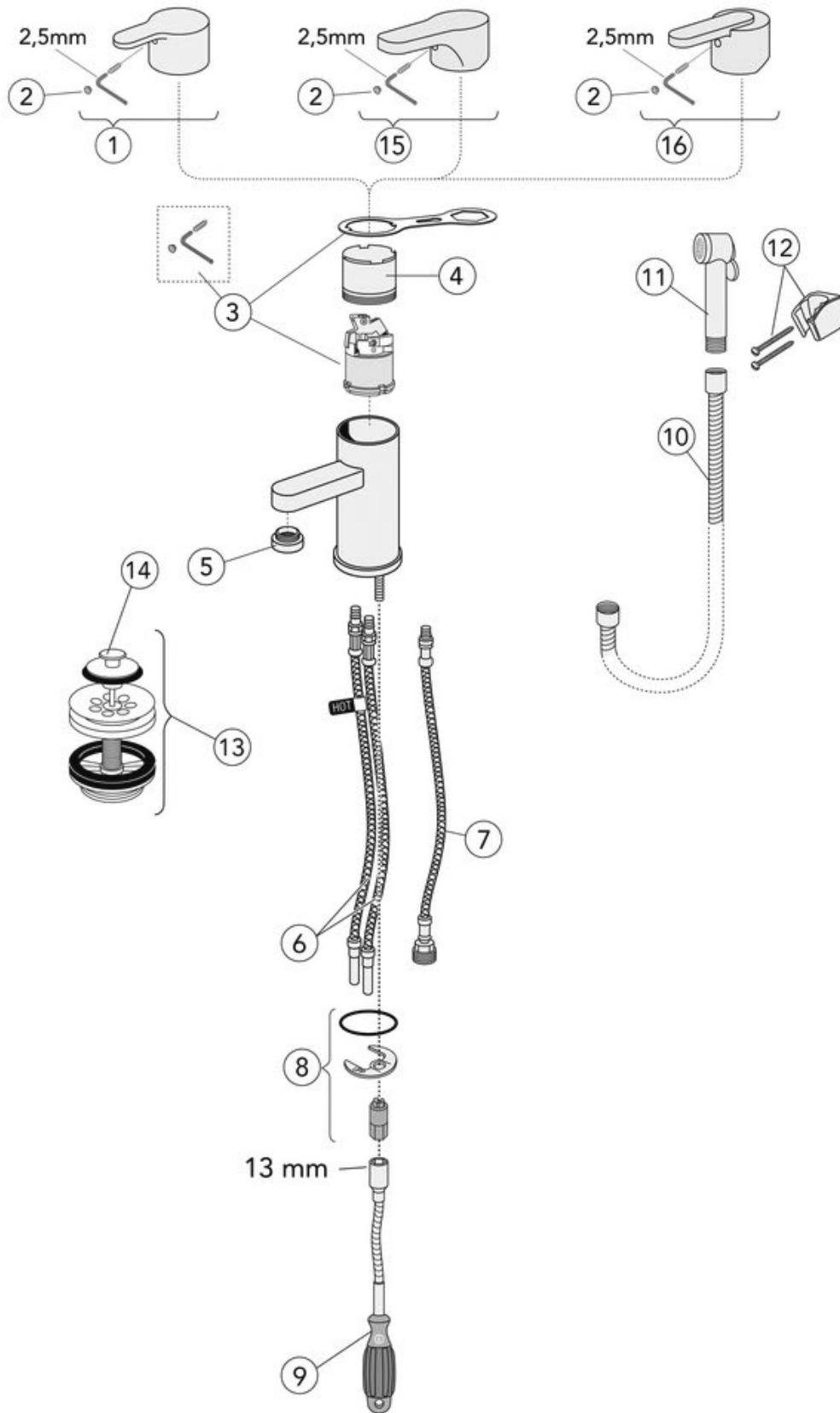
Reservedeler - Nye Nautic bidèkran år 2021-

DETALJENUMMER OG PRODUKT	NRF. NR.	ART. NR.	VEIL. PRIS EKS. MVA.	VEIL. PRIS INKL. MVA.
1 Ettgrepsspak Nye Nautic		GB41639803 01	350	437
2 Dekkekåpe		GB41639523 01	177	221
3 Mutter - kerampakke		GB41639522 01	242	303
4 Kerampakke 35mm smart + standard	4342719	GB41637393	260	325
5 Løftestang	4343055	GB41630305	147	184
6 Strålesamler /kuleledd	4342713	GB41637270 01	90	113
7 Løfteventil	4342638	GB41637450	723	904
8 SoftPlex-slange		GB41638721 02	245	306
9 Monteringssett		GB41639936 01	145	182

RESERVEDELER

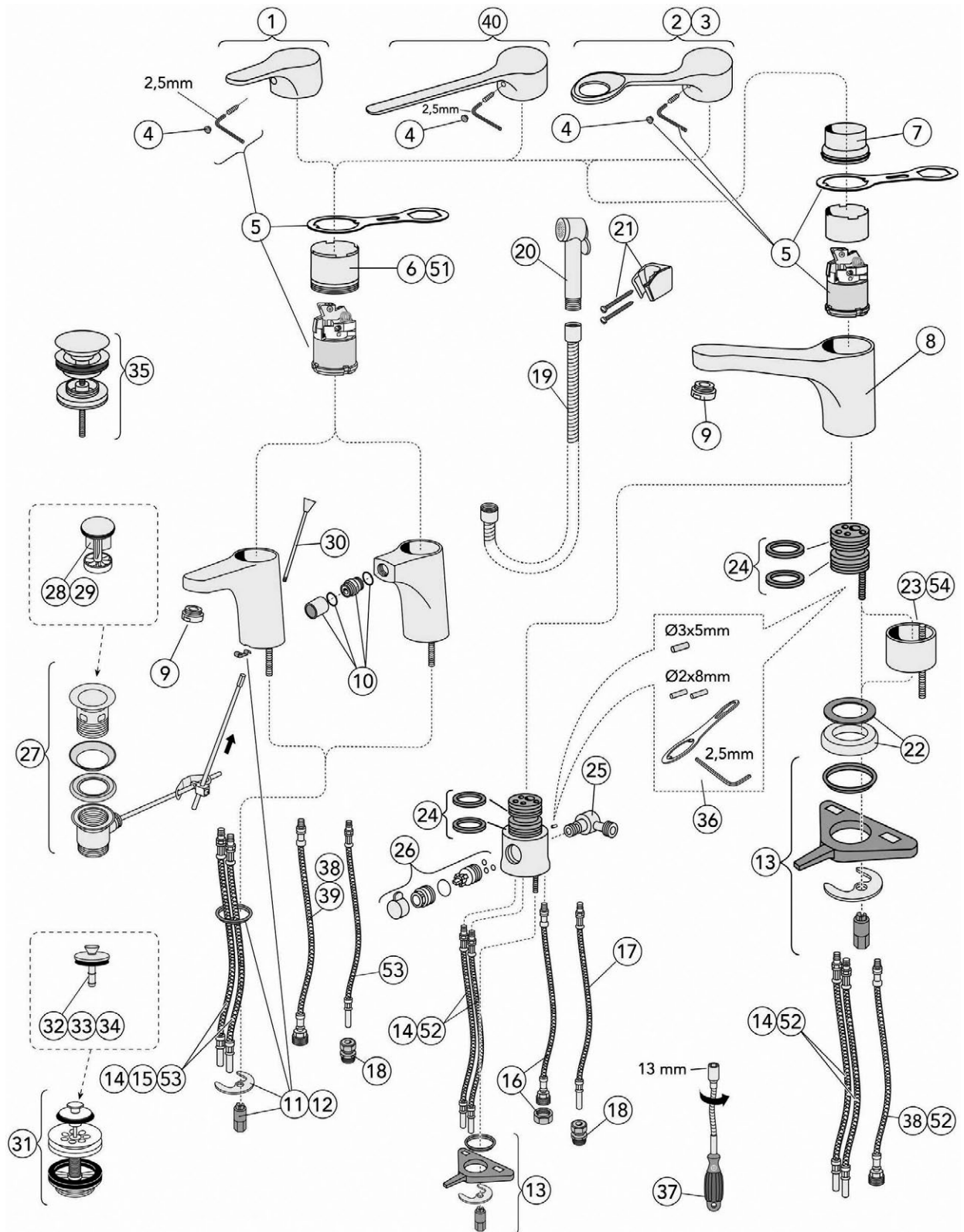


DETALJENUMMER OG PRODUKT	NRF. NR.	ART. NR.	VEIL. PRIS EKS. MVA.	VEIL. PRIS INKL. MVA.
1 Strålesamler		GB41639668 01	80	100
2 Spak, krom		GB41639770 01	263	328
3 Spak, børstet messing		GB41639770 24	311	389
4 Spak, matt sort		GB41639770 53	316	395
5 Sokkel ø50, krom		GB41639773 01	263	328
6 Sokkel ø50, børstet messing		GB41639773 24	311	389
7 Sokkel ø50, matt sort		GB41639773 53	316	395
8 Patron ø25		GB41639775 01	300	375
9 Monteringssett		GB41639627 01	145	182
10 SoftPex-slange M10x1 - G3/8	4342775	GB41636629 01	144	180
12 Feste for hånddusj, krom		GB41639947 01	55	69
13 Feste for hånddusj, matt sort		GB41639947 53	96	120
14 Feste for hånddusj, børstet messing		GB41639947 24	83	104
15 Hånddusj, krom		GB41639946 01	202	253
16 Hånddusj, matt sort		GB41639946 53	366	458
17 Hånddusj, børstet messing		GB41639946 24	517	646
18 Slange for hånddusj, krom		GB41639948 01	403	504
19 Slange for hånddusj, matt sort		GB41639948 53	422	528
20 Slange for hånddusj, børstet messing		GB41639948 24	716	895
Verktøy 11 mm		GB4300001510	284	355

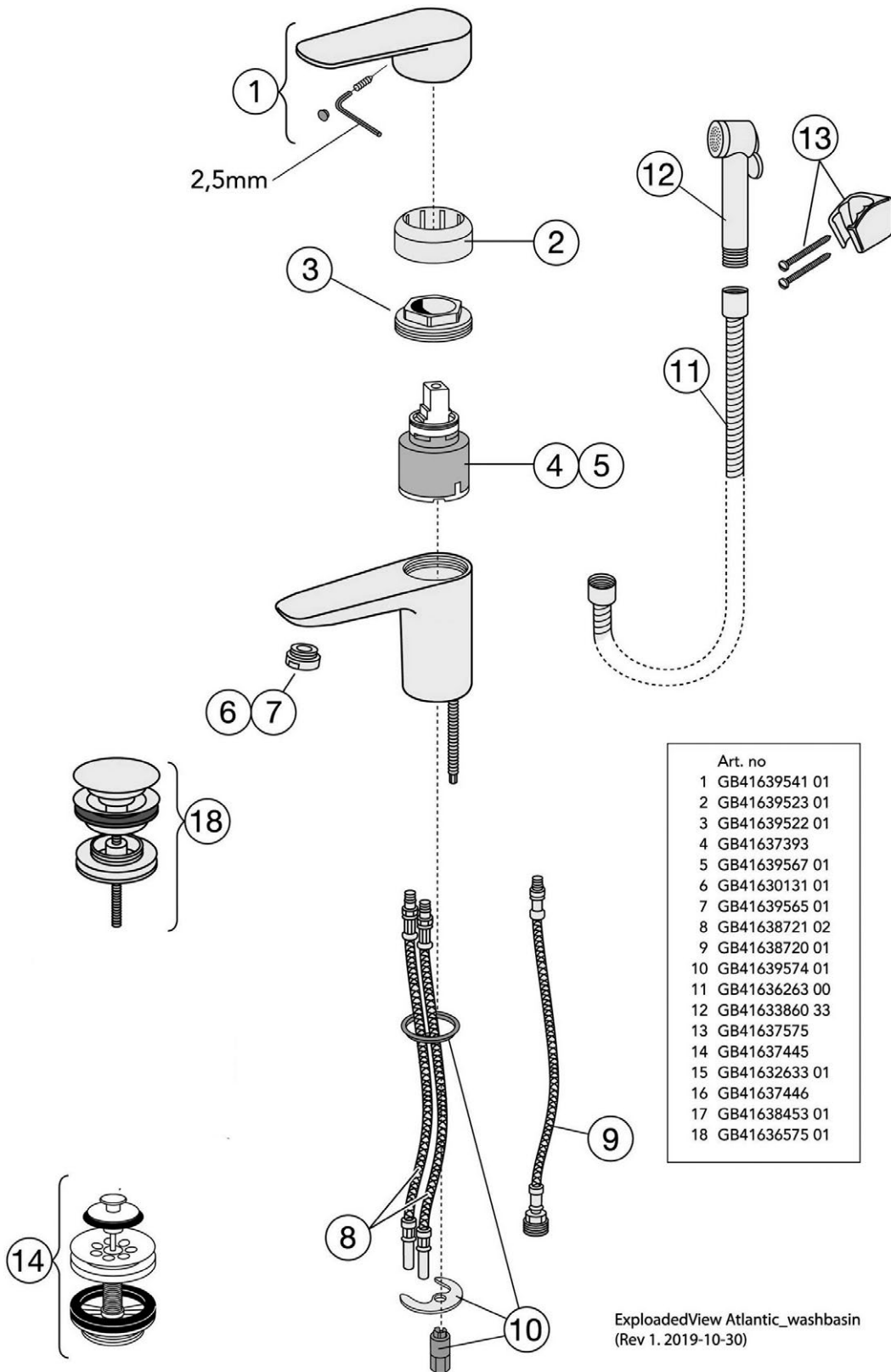




DETALJENUMMER OG PRODUKT	NRF. NR.	ART. NR.	VEIL. PRIS EKS. MVA.	VEIL. PRIS INKL. MVA.
1 Ettgreppspak Nordic ³		GB41639062 01	346	433
2 Dekkplugg	4342661	GB41634828 01	153	191
3 Servicepatron m/verktøy for Nordic ³ / Nautic/Logic	4343367	GB41637267 01	595	744
4 Låsering M45x1,5	4342753	GB41637261 01	169	211
5 Strålesamler, M24x1	4342793	GB41639097 01	123	154
6 SoftPex slanger (M10x1-ø10)	4342633	GB41637161 02	247	309
7 SoftPex slange (M10x1-G1/2)	4342769	GB41638224 01	174	218
8 Monteringsdetaljer	4342772	GB41636457 01	88	110
9 Monteringsverktøy 13/6k	4343341	GB43000014 10	240	300
10 Dusjslange Biflex 1,75m G1/2xG1/2	4343804	GB41636263 00	137	171
11 Selvstengende hånddusj	4343121	GB41633860 33	758	948
12 Hånddusjfeste	4340714	GB41637575	140	175
13 Propp till silpluggventil (ø36 mm) 2010 05-	4340718	GB41638453 01	100	125
14 Silpluggventil	4342653	GB41637445	664	830
16 Ettgreppspak Nordic Plus		GB41639510	433	542



DETALJENUMMER OG PRODUKT	NRF. NR.	ART. NR.	VEIL. PRIS EKS. MVA.	VEIL. PRIS INKL. MVA.
1 Ettgrepsspak Nautic	4343366	GB41637250	335	419
2 Ettgrepsspak HC Nautic	4342627	GB41637360 01	483	604
3 Ettgrepsspak HC Nautic (Rød/blå merking)	4342735	GB41637363 01	501	626
4 Dekkplugg rød/blå merking	4342661	GB41634828 01	153	191
5 Servicpatron m/verktøy Nautic/Logic	4343367	GB41637267 01	595	744
6 Låsering M45x1,5	4342753	GB41637261 01	169	211
7 Låsering kjøkken med lav utløpstut	4342752	GB41638202	168	210
8 Utløpskran		GB41638197	2.270	2.837
9 Strålesamler M24x1	4343241	GB41630131 01	123	154
10 Strålsamler M18x1 m/kuleledd f/bidetbatteri	4342713	GB41637270 01	90	113
11 Monteringspose (servant-bidébatteri), -september 2011	4343319	GB41637280 01	97	121
12 Monteringsdetaljer (servant-bidébatteri), september 2011-	4342751	GB41637282 01	88	110
13 Monteringsdetaljer (kjøkkenbatteri) u/avst.	4340713	GB41634157 01	88	110
14 SoftPex slange (M10x1-ø10) lengde 440 mm	4342633	GB41637161 02	247	309
15 SoftPex slange (NY - mangler pris(svivel)(2015-), kompositt innmatt		GB41638721 02	245	306
16 SoftPex slange (M10x1-G1/2), lengde 440 mm	4342768	GB41638220 01	182	227
17 SoftPex slange (M8x1-ø10), lengde 400 mm	4342771	GB41638199 01	174	218
18 Kobling 10xG1/2	5080093	FG032033520	30	37
19 Dusjslange G1/2xG1/2	4343804	GB41636263 00	137	171
20 Selvstengende hånddusj	4343121	GB41633860 33	758	948
21 Hånddusjfeste	4340714	GB41637575	140	175
23 Forhøyningsdel 50 mm	4340715	GB41632834	1.055	1.319
24 X-ringer for utløpstut	4343213	GB41633971 02	74	93
25 Tilkopl.vinkel f/oppv.m. o/benk	4343189	GB41635790 01	737	921
26 Avstengningskran kompl.f/benkebatteri, krom	4343188	GB41635762 3301	247	309
27 Oppløftsventil	4342638	GB41637450	723	904
28 Propp med o-ring -2007 05 (ø40 mm)	4343344	GB41632625 01	100	125
29 Propp m/oppløftsventil 2007 05- (ø38 mm)	4342651	GB41637453	168	210
30 Løftestang	4343055	GB41630305	147	184
31 Silventil	4342653	GB41637445	664	830
34 Propp til silpluggventil 2010 05-2011 01	4340718	GB41638453 01	100	125
35 Push-down ventil	4343054	GB41636575 01	519	649
36 Detaljer for slagbegrensningstut	4342754	GB41633972	69	86
37 Monteringsverktøy 13/6k	4343341	GB43000014 10	240	300
38 Monteringsverktøysett	4343369	GB43000021 01	540	675
39 SoftPex-slange 300mm utv. G1/2		GB41638720 01	346	433
40 HC spak, blyfri m/ fargemerking for kaldt og varmt		GB41637367 01	517	646
51 Låsering M45x1,5, blyfri		GB41638981 01	387	484
52 SoftPlex slange-PE, M10x1		GB41638738 02	591	739
53 SoftPex-slange, plugin		GB41638708 02	612	765
54 Forhøyningsdel 50 mm, blyfri		GB41638924 01	2.558	3.198

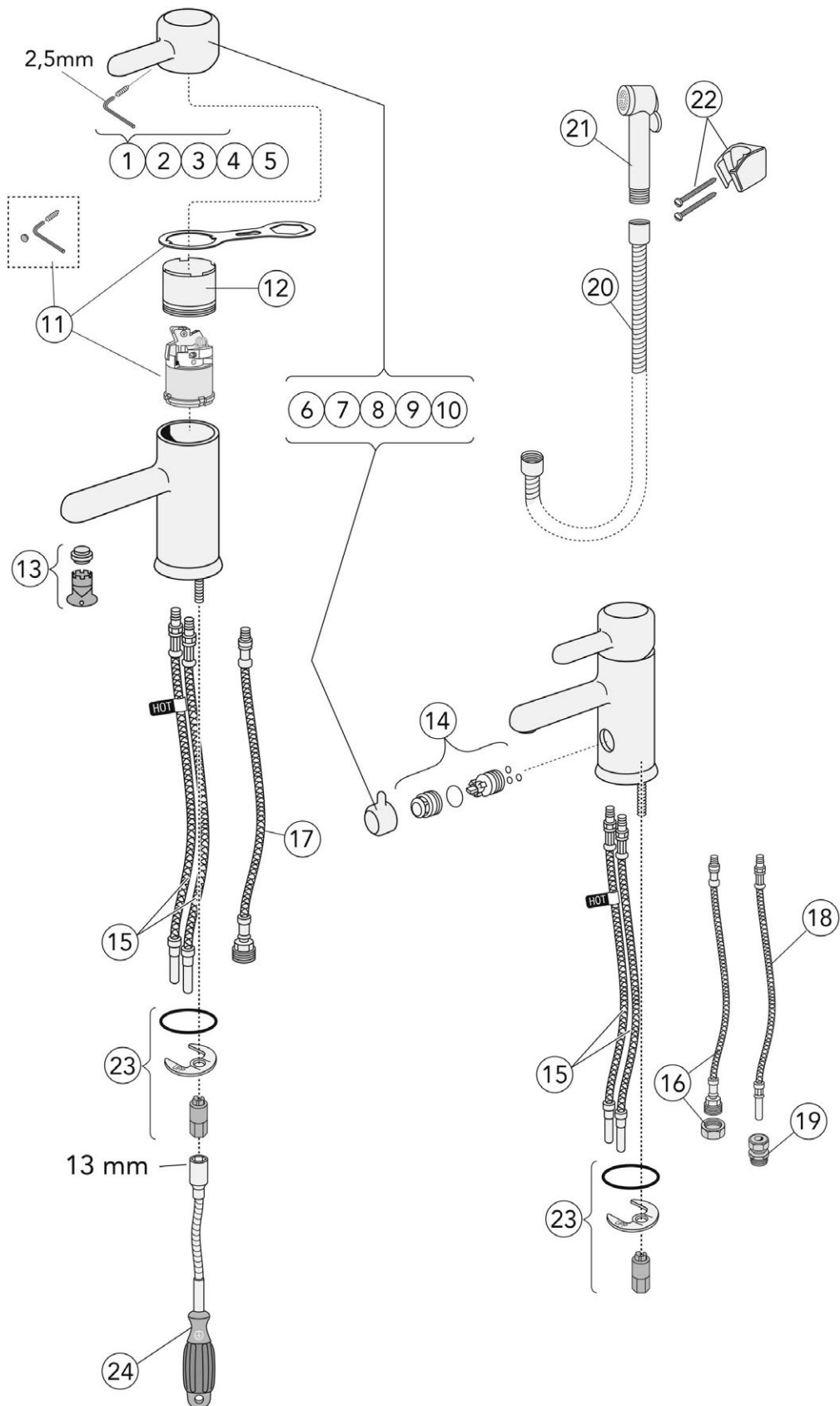


Art. no
1 GB41639541 01
2 GB41639523 01
3 GB41639522 01
4 GB41637393
5 GB41639567 01
6 GB41630131 01
7 GB41639565 01
8 GB41638721 02
9 GB41638720 01
10 GB41639574 01
11 GB41636263 00
12 GB41633860 33
13 GB41637575
14 GB41637445
15 GB41632633 01
16 GB41637446
17 GB41638453 01
18 GB41636575 01

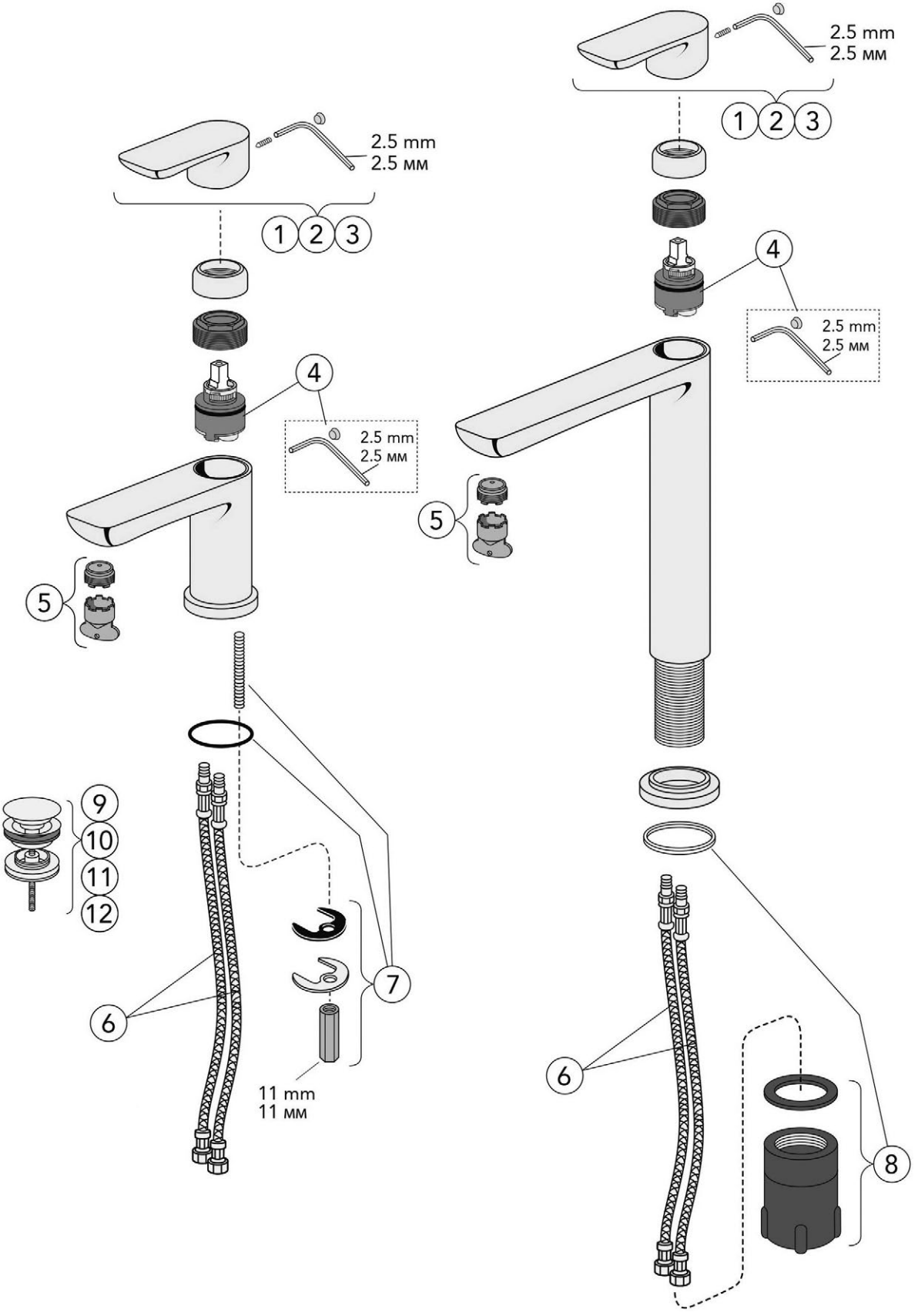
ExplodedView Atlantic_washbasin
(Rev 1. 2019-10-30)



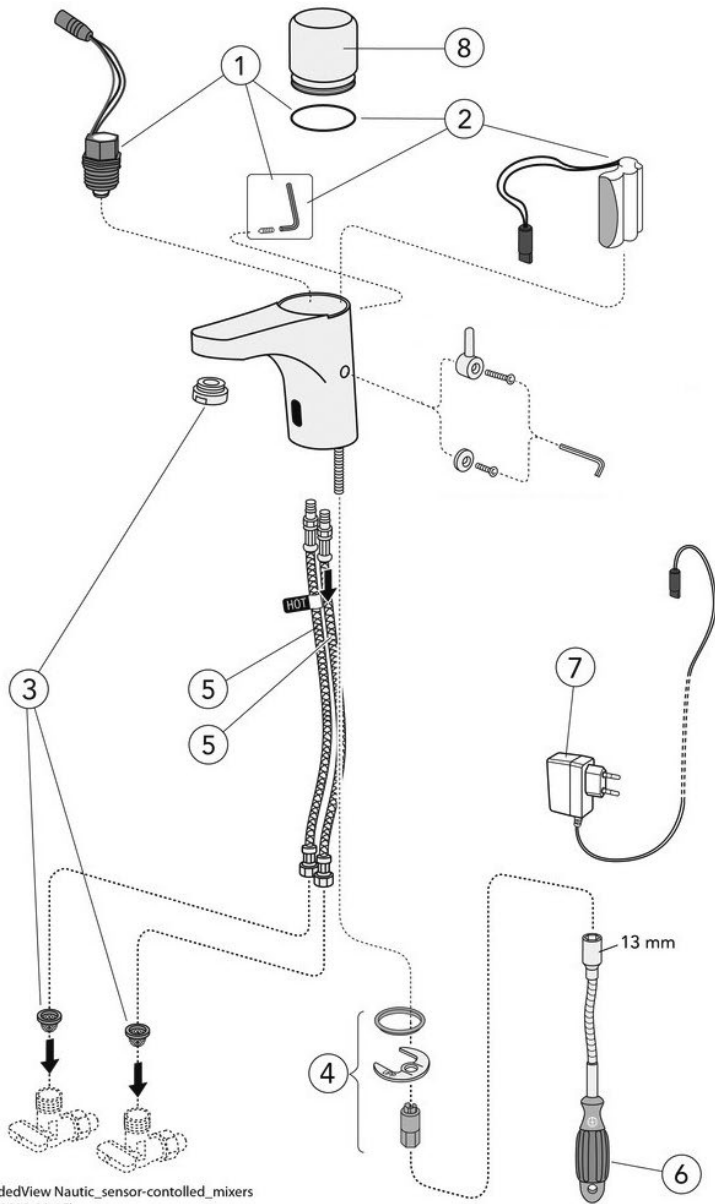
DETALJENUMMER OG PRODUKT	NRF. NR.	ART. NR.	VEIL. PRIS EKS. MVA.	VEIL. PRIS INKL. MVA.
1 Ettgrepspak Atlantic		GB41639541 01	350	437
2 Kappe		GB41639523 01	177	221
3 Mutter- Servicepatron		GB41639522 01	242	303
4 Servicepatron 35 mm	4342719	GB41637393	260	325
5 Servicepatron 35 mm, energispar		GB41639567 01	361	451
6 Strålesamler/perlator M24x1	4343241	GB41630131 01	123	154
7 Strålesamler/perlator M24x1, 1,2 gpm		GB41639565 01	207	259
8 SoftPex slange roterbar-ø10, 2014 05-		GB41638721 02	245	306
9 SoftPex slange 300 mm, roterbar - G1/2 utv.		GB41638720 01	346	433
10 Monteringsett servantkran		GB41639574 01	92	115
11 Dusjslange Biflex 1,75m G1/2xG1/2	4343804	GB41636263 00	137	171
12 Selvstengende hånddusj	4343121	GB41633860 33	758	948
13 Hånddusjfeste	4340714	GB41637575	140	175
14 Silventil	4342653	GB41637445	664	830
18 Push-down ventil	7031029	GB41636575 01	519	649



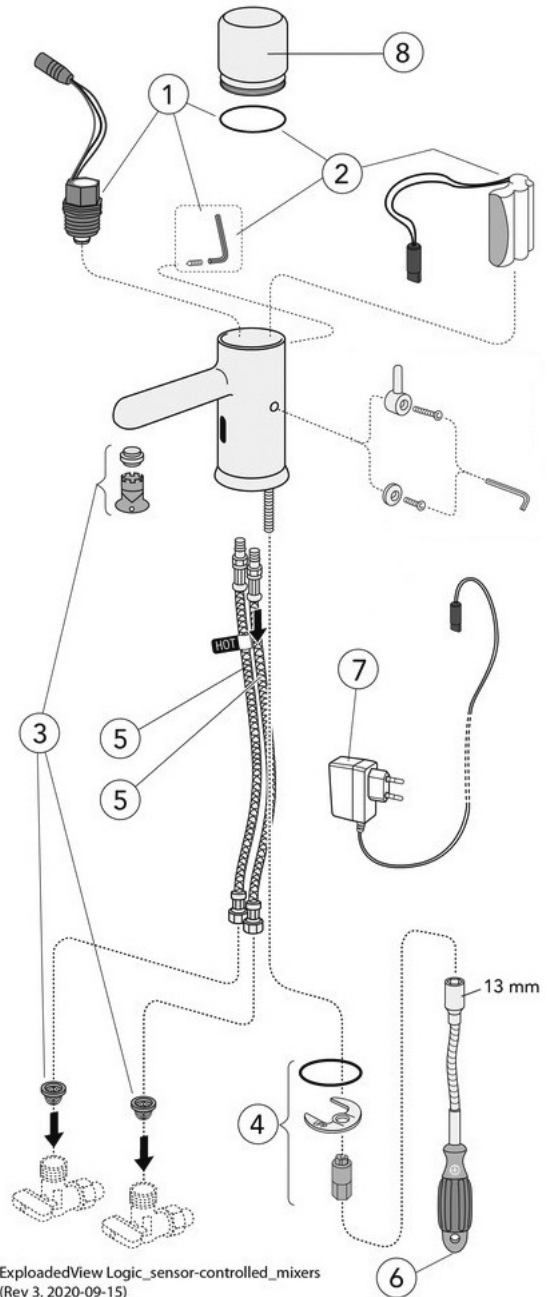
DETALJENUMMER OG PRODUKT	NRF. NR.	ART. NR.	VEIL. PRIS EKS. MVA.	VEIL. PRIS INKL. MVA.
1 Ettgrepsspak Logic, krom	4342766	GB41638514 01	355	444
2 Dekkplugg	4342661	GB41634828 01	153	191
3 Servicepatron m/verktøy for Nautic/Logic	4343367	GB41637267 01	595	744
4 Låsering M45x1,5	4342753	GB41637261 01	169	211
5 Strålesamler, med perlator M18,5x1-B	4342767	GB41638549 01	123	154
6 Avstengningskran komplett for kjøkkenbatteri	4343188	GB41635762 3301	247	309
7 SoftPex slange (M10x1-ø10)	4342633	GB41637161 02	247	309
8 SoftPex slange (M10x1-G1/2)	4342768	GB41638220 01	182	227
9 SoftPex slange (M10x1-G1/2)	4342769	GB41638224 01	174	218
10 SoftPex slange (M8x1-ø10)	4342771	GB41638199 01	174	218
11 Kobling	50800093	FG032033520	30	37
12 Dusjslange	4343804	GB41636263 00	137	171
13 Selvstengende hånddusj	4343121	GB41633860 33	758	948
14 Hånddusjfeste	4340714	GB41637575	140	175
15 Monteringsdetaljer	4342772	GB41636457 01	88	110
16 Monteringsverktøy 13/6k	4343341	GB43000014 10	240	300
Monteringsverktøysett	4343369	GB43000021 01	540	675



DETALJENUMMER OG PRODUKT	NRF. NR.	ART. NR.	VEIL. PRIS EKS. MVA.	VEIL. PRIS INKL. MVA.
1 Spak for ettgreps servantkran, Estetic, krom		GB41639332 01	215	269
2 Spak for ettgreps servantkran, Estetic, matt sort		GB41639332 53	1.176	1.470
3 Spak for ettgreps servantkran, Estetic, matt vit		GB41639332 41	1.072	1.340
4 Servicepatron ø35 med fordeler		GB41639329 01	208	260
5 Perloator/strålesamler, SSR, STD, M24x1, 8 l/min		GB41639333 01	378	473
6 SPX-slang-440 M10x1-19, G3/8		GB41636726 02	270	338
7 Monteringssett for servantkran Estetic		GB41639327 01	204	255
8 Monteringssett for servantkran hög Estetic		GB41639331 01	80	100
9 Push-down ventil, krom	4343054	GB41636575 01	519	649
10 Push-down ventil, svart	6020279	GB41636575 23	721	901
11 Push-down ventil, hvit	6020278	GB41636575 25	721	901
12 Push-down ventil, matt hvit	6020281	GB41636575 41	962	1.203



ExplodedView Nautic_sensor-controlled_mixers
(Rev 2. 2020-09-15)

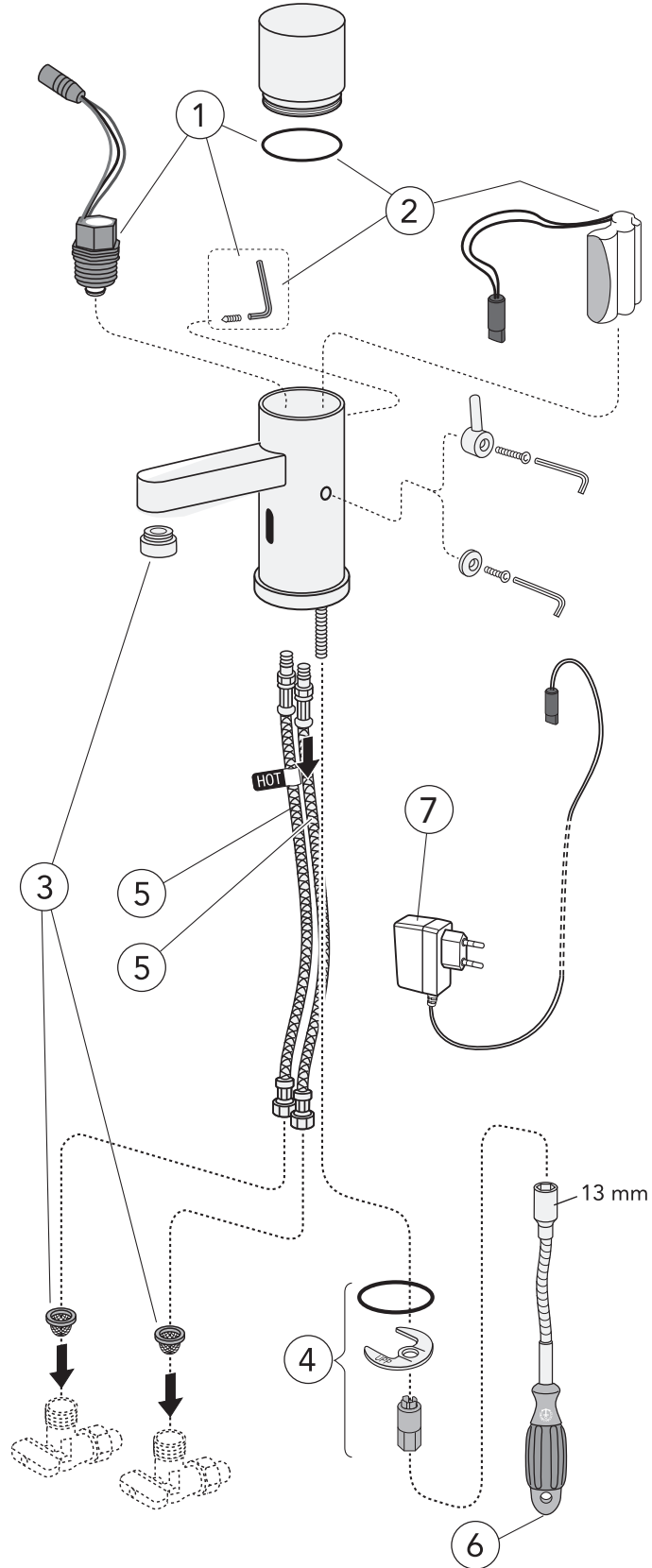


ExplodedView Logic_sensor-controlled_mixers
(Rev 3. 2020-09-15)



Reservevedeler - Nautic/Logic servantkran, elektronisk

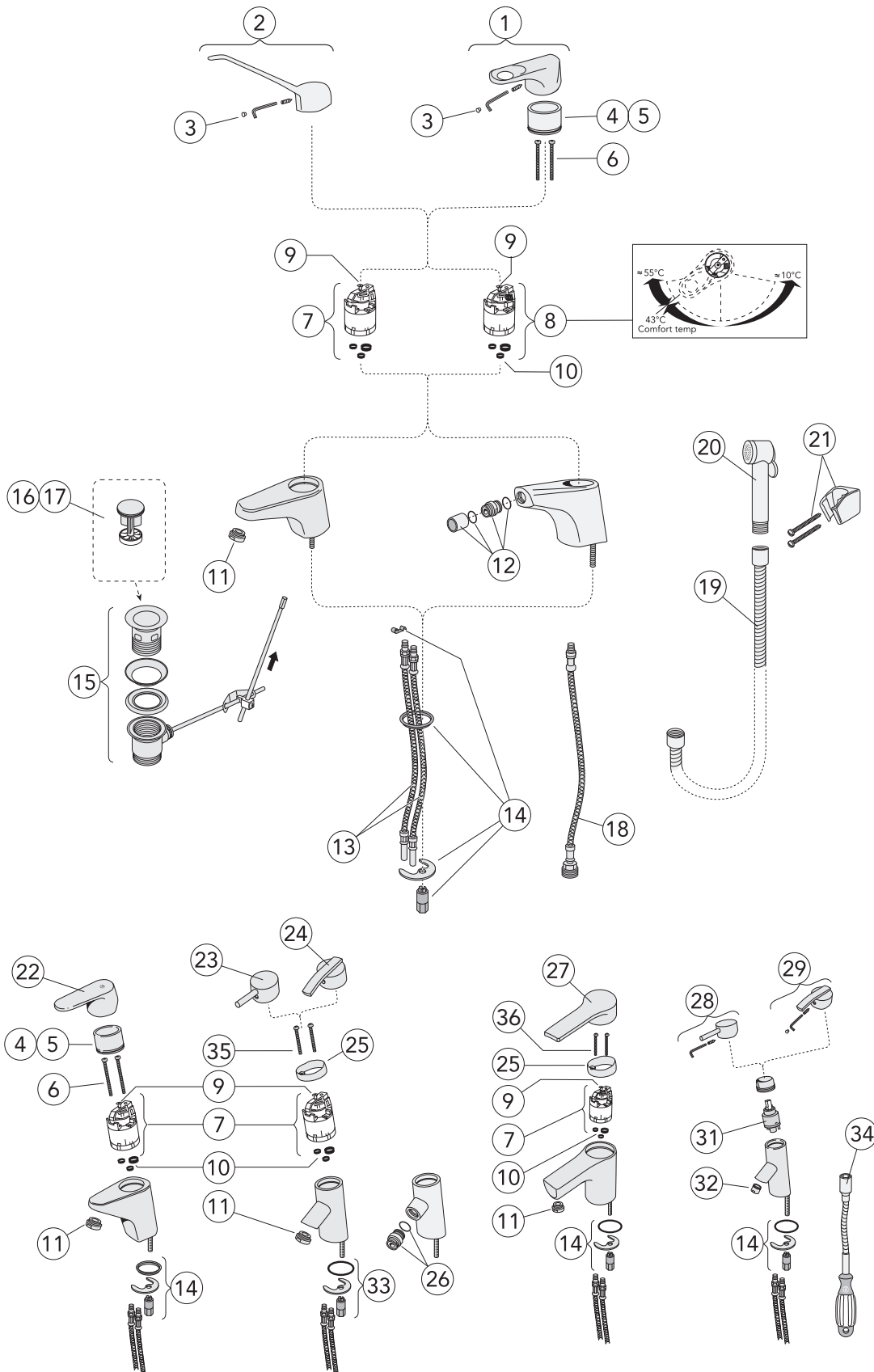
DETALJENUMMER OG PRODUKT	NRF. NR.	ART. NR.	VEIL. PRIS EKS. MVA.	VEIL. PRIS INKL. MVA.
1 Magnetventil		GB41638557 01	1.341	1.676
2 Batteri	4342773	GB41638560 01	470	588
3 Filter, perlator Logic	4342774	GB41638544 01	123	154
3 Filter, perlator Nautic		GB41638739 01	122	153
4 Monteringssats Logic	4342772	GB41636457 01	88	110
4 Monteringssats Nautic	4342751	GB41637282 01	88	110
5 SoftPex slange (M10x1-G3/8)	4342775	GB41636629 01	144	180
6 Monteringsverktøy 13/6k	4343341	GB43000014 10	240	300
7 Transformator		GB41638561	323	404
8 Hendel for berøringsfri		GB41638550 01	340	425





Reservedeler - Nordic³ servantkran, elektronisk

DETALJENUMMER OG PRODUKT	NRF. NR.	ART. NR.	VEIL. PRIS EKS. MVA.	VEIL. PRIS INKL. MVA.
1 Magnetventil		GB41638557 01	1.341	1.676
2 Batteripakke	4342773	GB41638560 01	470	588
3 Filter, strålesamler		GB41639125 01	123	154
4 Monteringssats	4342772	GB41636457 01	88	110
5 SoftPex slange (M10x1-G3/8)	4342775	GB41636629 01	144	180
6 Monteringsverktøy 13/6k	4343341	GB43000014 10	240	300
7 Transformator, 6 Volt		GB41638561	323	404





Reservedeler - Nordic, Skandic, ND40, Centic servant- og bidekran

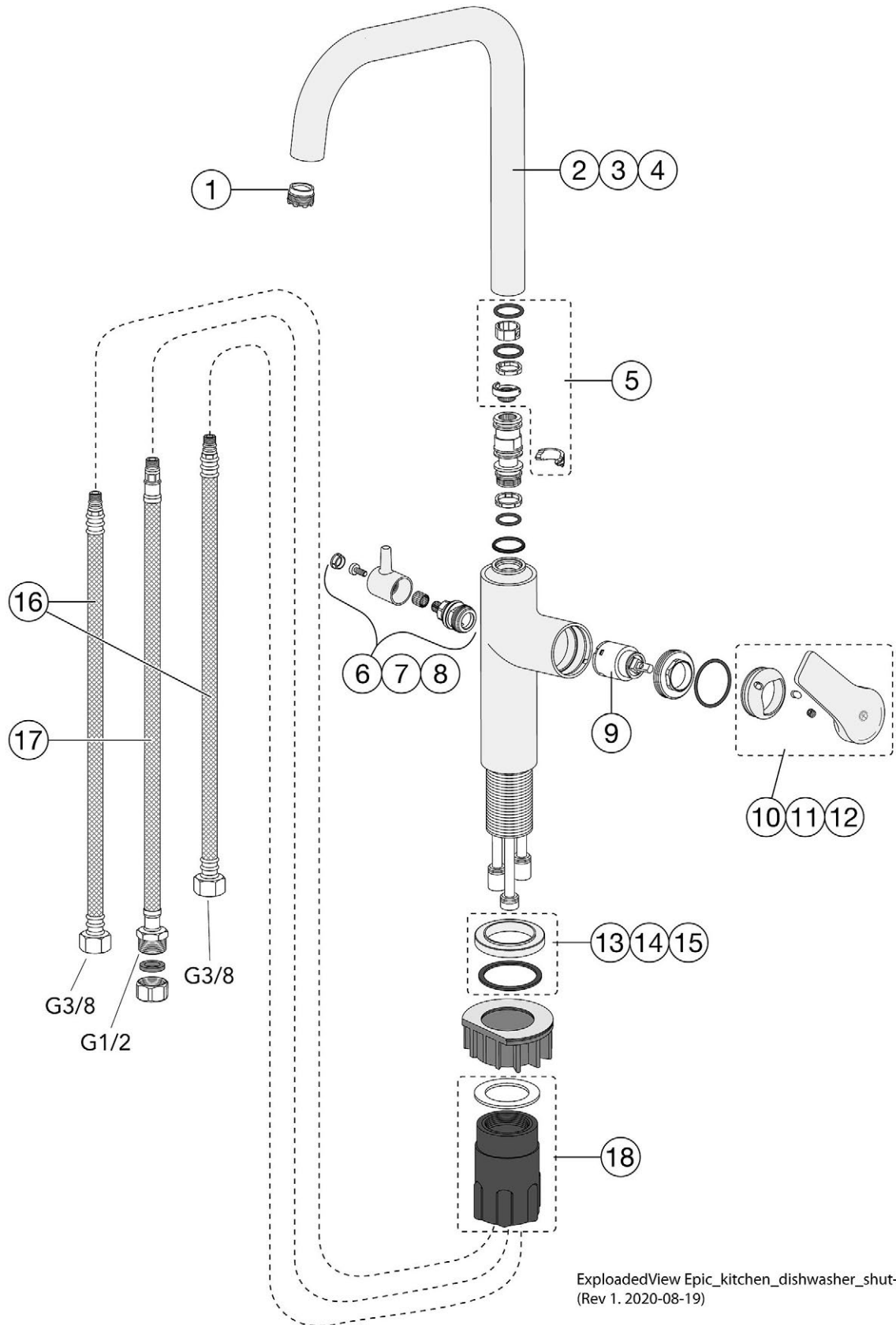
DETALJENUMMER OG PRODUKT	NRF. NR.	ART. NR.	VEIL. PRIS EKS. MVA.	VEIL. PRIS INKL. MVA.
1 Ettgrepsspak Nordic	4343347	GB41636617 01	247	309
2 HC Ettgrepsspak Nordic	4342991	GB41635430 01	483	604
3 Dekkplugg, rød/blå merking	4342661	GB41634828 01	153	191
4 Kåpe gjenget	4343166	GB41634470 01	169	211
5 Kåpe med O-ring	4343126	GB41636326 01	174	218
6 Festeskruer for servicepatron M5x63	4343217	GB41636302 02	189	236
7 Servicepatron inkl. topplokk 634955-01, Universal	4343196	GB41633877 01	708	885
8 Servicepatron Nordic TT-funksjon	4343059	GB41635678 8701	688	860
9 Spakfeste TP 6-19		GB41636319	69	86
10 Gummipakning for servicepatron, komplett	4343211	GB41633513 01	89	111
11 Strålesamlere M24x1	4343241	GB41630131 01	123	154
12 Perlator f/bidetbatteri	4342713	GB41637270 01	90	113
13 SoftPex slange (M10x1-ø10), 440 mm	4342633	GB41637161 02	247	309
14 Monteringsdetaljer	4343319	GB41637280 01	97	121
15 Oppløftsventil u/løftestang, krom	4342638	GB41637450	723	904
16 Propp m/O-ring -2007 05	4343344	GB41632625 01	100	125
17 Propp m/oppløftsventil 2007 0-	4342651	GB41637453	168	210
18 SoftPex slang (M10x1-G1/2), 300 mm	4342769	GB41638224 01	174	218
19 Dusjslange G1/2xG1/2	4343804	GB41636263 00	137	171
20 Selvstengende hånddusj	4343121	GB41633860 33	758	948
21 Handdusjfeste	4340714	GB41637575	140	175
22 Ettgrepsspak ND40	4343127	GB41636337 01	277	346
24 Ettgrepsspak Leg Skandic 03	4346741	GB41636447 01	1.022	1.278
25 Kåpe	4342669	GB41635680 01	478	598
26 Strålesamlre/kullet M24x1	4343337	GB41632863 01	91	114
31 Servicepatron 35	4343358	GB41636654 01	758	948
32 Strålsamler/perlator M18x1	4343359	GB41636912 01	97	121
33 Monteringsdetaljer	4342772	GB41636457 01	88	110
34a Monteringsverktøy13/6 kant.	4343341	GB43000014 10	240	300
34b Monteringsverktøysett	4343369	GB43000021 01	540	675
35 Festeskruer M5x42 for Skandic 03		GB41636606 02	76	95
36 Festeskruer M4x56 for Centic		GB41635671 02	76	95



Reservevedeler - Nye Nautic kjøkkenkran med høy tut år 2021-

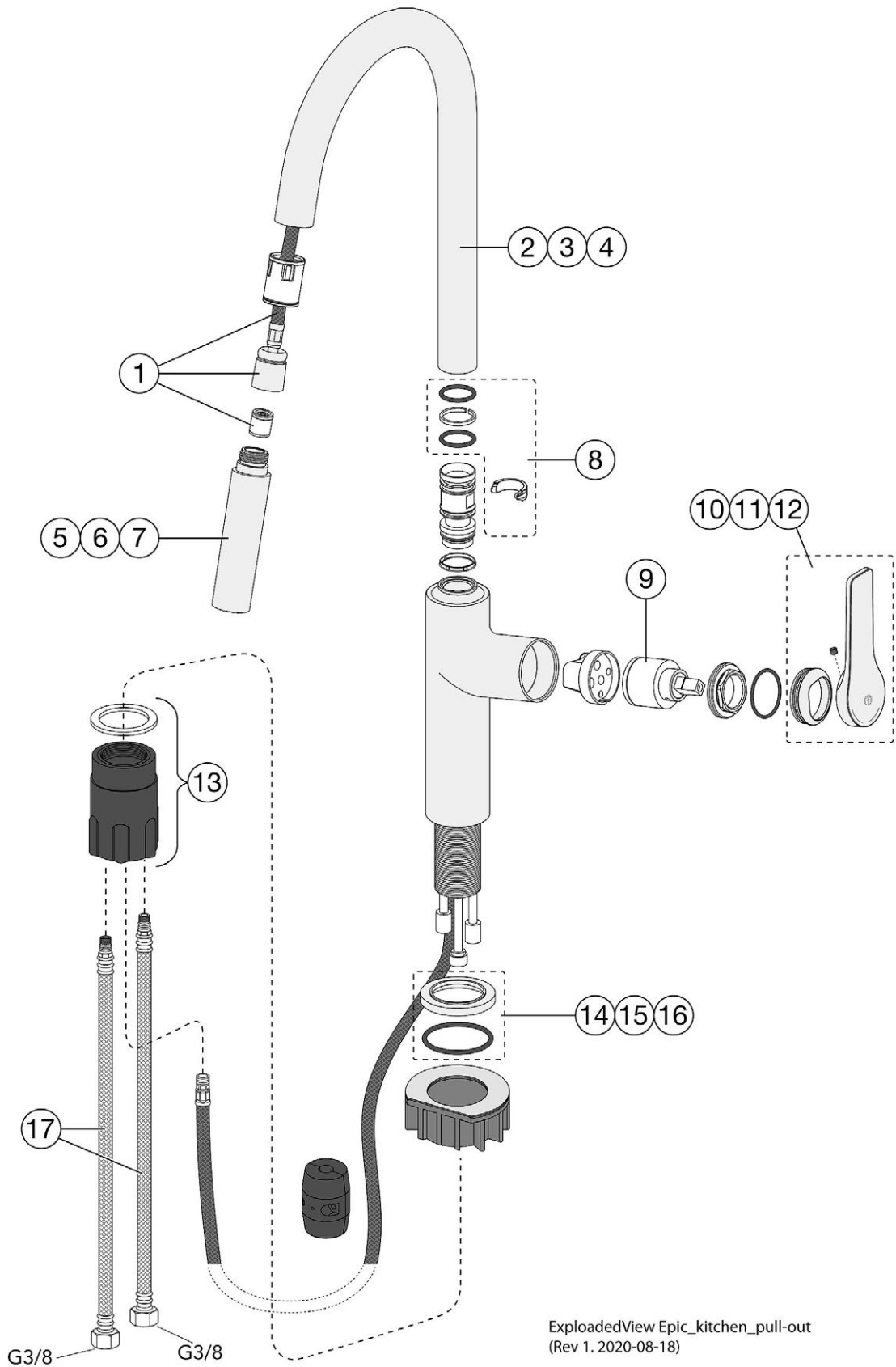
DETALJENUMMER OG PRODUKT	NRF. NR.	ART. NR.	VEIL. PRIS EKS. MVA.	VEIL. PRIS INKL. MVA.
1 Ettgrepsspak Nye Nautic		GB41639803 01	350	437
2 Dekkekåpe		GB41639523 01	177	221
3 Mutter - kerampakke		GB41639522 01	242	303
4 Kerampakke 35mm smart + standard	4342719	GB41637393	260	325
5 Kerampakke 35mm smart + energieffektiv		GB41639567 01	361	451
6 Strålesamler M22x1	4343242	GB41630129 01	123	154
7 Strålesamler M22x1 7 l/min		GB41639610 01	207	259
8 Parlator / Strålesamler		GB41639971 01	229	286
9 Slagbegrensningssats	4342716	GB41638450	133	166
10 O-ringsats	4342659	GB41637010 01	156	195
11 Oppvaskmaskininstenging		GB41639547 01	361	451
12 SoftPex-slange G3/8, 2016 08-		GB41639279 02	399	499
13 SoftPex-slange roterbar		GB41638721 02	245	306
14 SoftPex-slange plugin - slett ende i overdratt PEX		GB41638708 02	612	765
15 SoftPex-slange 440mm		GB41638701 01	224	280
16 Monteringssett		GB41639937 01	145	182
17 Utløpskran	4342776	GB41637326 0	1.172	1.465
18 Ettgrepsspak Care	4340418	GB41639801 01	483	604
19 Utløpskran		GB41638474 01	552	690
20 Tilkoblingsvinkel	4343189	GB41635790 01	737	921
21 Plugg til oppvaskmaskintilkobling på benk		GB41639525 01	77	97

RESERVEDELER



ExplodedView Epic_kitchen_dishwasher_shut-off
(Rev 1. 2020-08-19)

DETALJENUMMER OG PRODUKT	NRF. NR.	ART. NR.	VEIL. PRIS EKS. MVA.	VEIL. PRIS INKL. MVA.
1 Strålesamler m18,5x1 "B"	4342767	GB41638549 01	123	154
2 Tut krom		GB41639771 01	685	856
3 Tut børstet stål		GB41639771 24	711	889
4 Tut matt sort		GB41639771 53	738	923
5 Monteringssett		GB41639778 01	150	188
6 Rat/ventil til oppvaskmaskin, krom		GB41639631 01	1.119	1.399
7 Rat/ventil til oppvaskmaskin, børstet messing		GB41639631 24	1.119	1.399
8 Rat/ventil til oppvaskmaskin, matt sort		GB41639631 53	1.119	1.399
9 Patron ø25		GB41639775 01	300	375
10 Spak Krom		GB41639768 01	263	328
11 Spak børstet stål		GB41639768 24	311	389
12 Spak matt sort		GB41639768 53	316	395
13 Sokkel ø50 krom		GB41639773 01	263	328
14 Sokkel ø50 børstet messing		GB41639773 24	311	389
15 Sokkel ø50 matt sort		GB41639773 53	316	395
16 SoftPlex-slange M10x1 G3/8	4342775	GB41636629 01	144	180
17 SoftPlex-slange M10x1 G1/2	4342768	GB41638220 01	182	227
18 Monteringsdetaljer		GB41639331 01	80	100



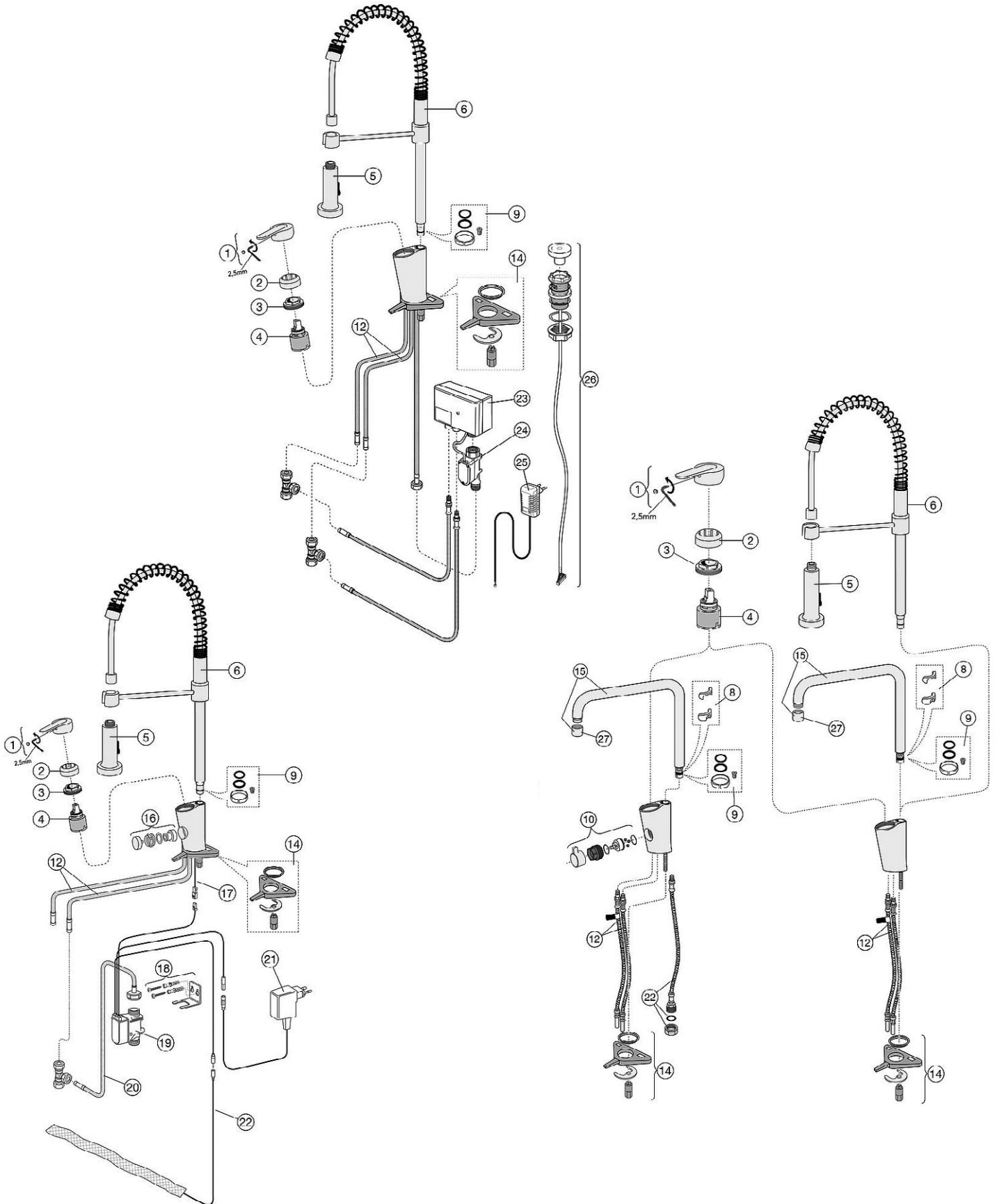
ExplodedView Epic_kitchen_pull-out
(Rev 1. 2020-08-18)



Reservevedeler - Epic kjøkkenkran uttrekkbar år 2020-

DETALJENUMMER OG PRODUKT	NRF. NR.	ART. NR.	VEIL. PRIS EKS. MVA.	VEIL. PRIS INKL. MVA.
1 Slange for uttrekk		GB41639776 01	346	433
2 Tut krom		GB41639772 01	685	856
3 Tut børstet stål		GB41639772 24	711	889
4 Tut matt sort		GB41639772 53	738	923
5 Utrekk hånddusj, krom		GB41639767 01	610	762
6 Utrekk hånddusj, børstet messing		GB41639767 24	635	794
7 Utrekk hånddusj, matt sort		GB41639767 53	663	829
8 Monteringssett		GB41639777 01	150	188
9 Kerampakke 35mm smart + standard	4342719	GB41637393	260	325
10 Spak, krom		GB41639769 01	263	328
11 Spak, børstet messing		GB41639769 24	311	389
12 Spak, matt sort		GB41639769 53	316	395
13 Monteringsdetaljer		GB41639331 01	80	100
14 Sokkel ø54, krom		GB41639774 01	263	328
15 Sokkel ø54, børstet messing		GB41639774 24	311	389
16 Sokkel ø54, matt sort		GB41639774 53	316	395
18 SoftPex-slange M10x1 - G3/8	4342775	GB41636629 01	144	180

RESERVEDELER

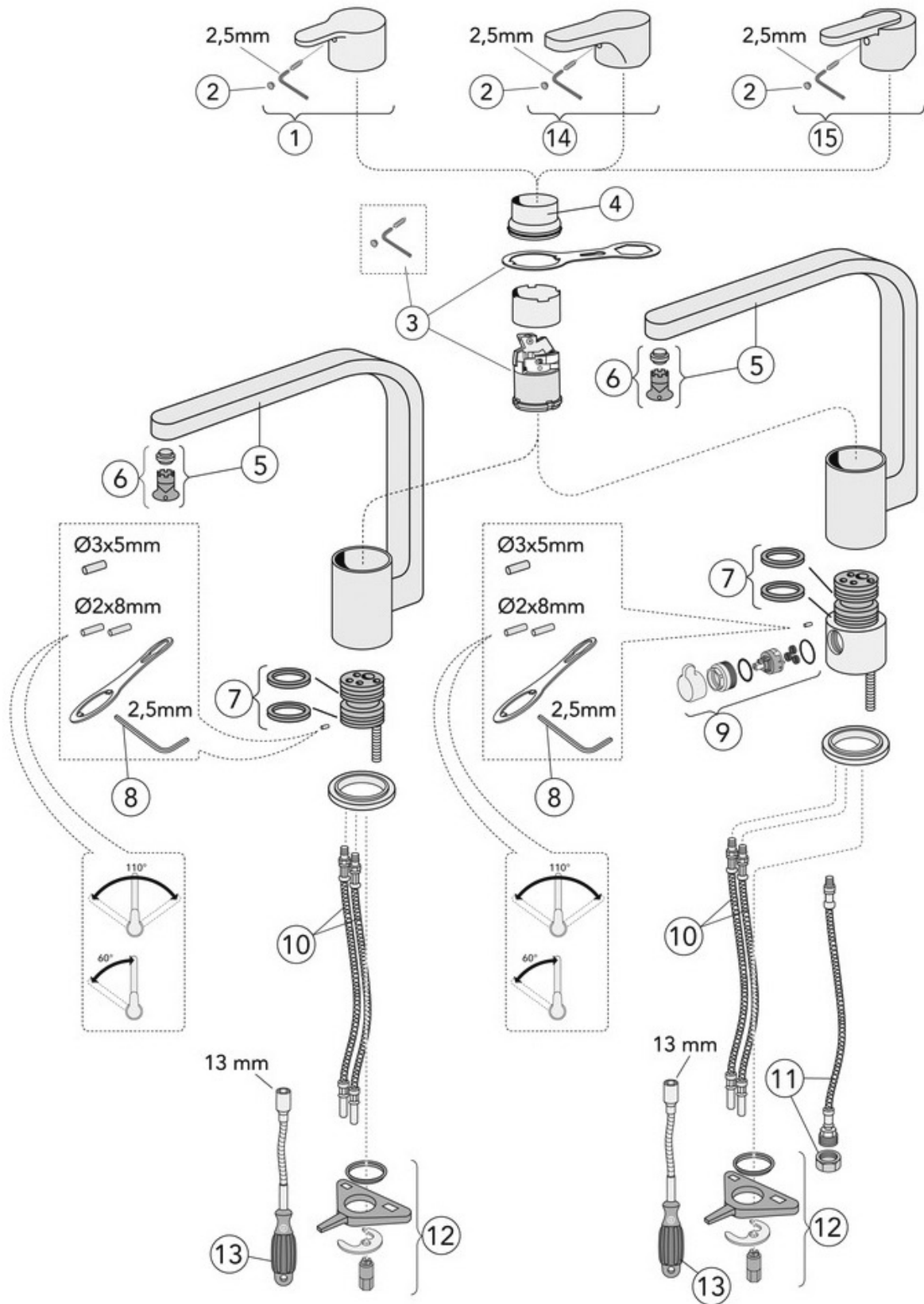




Reservedeler - Nordic Plus kjøkkenkran år 2019-

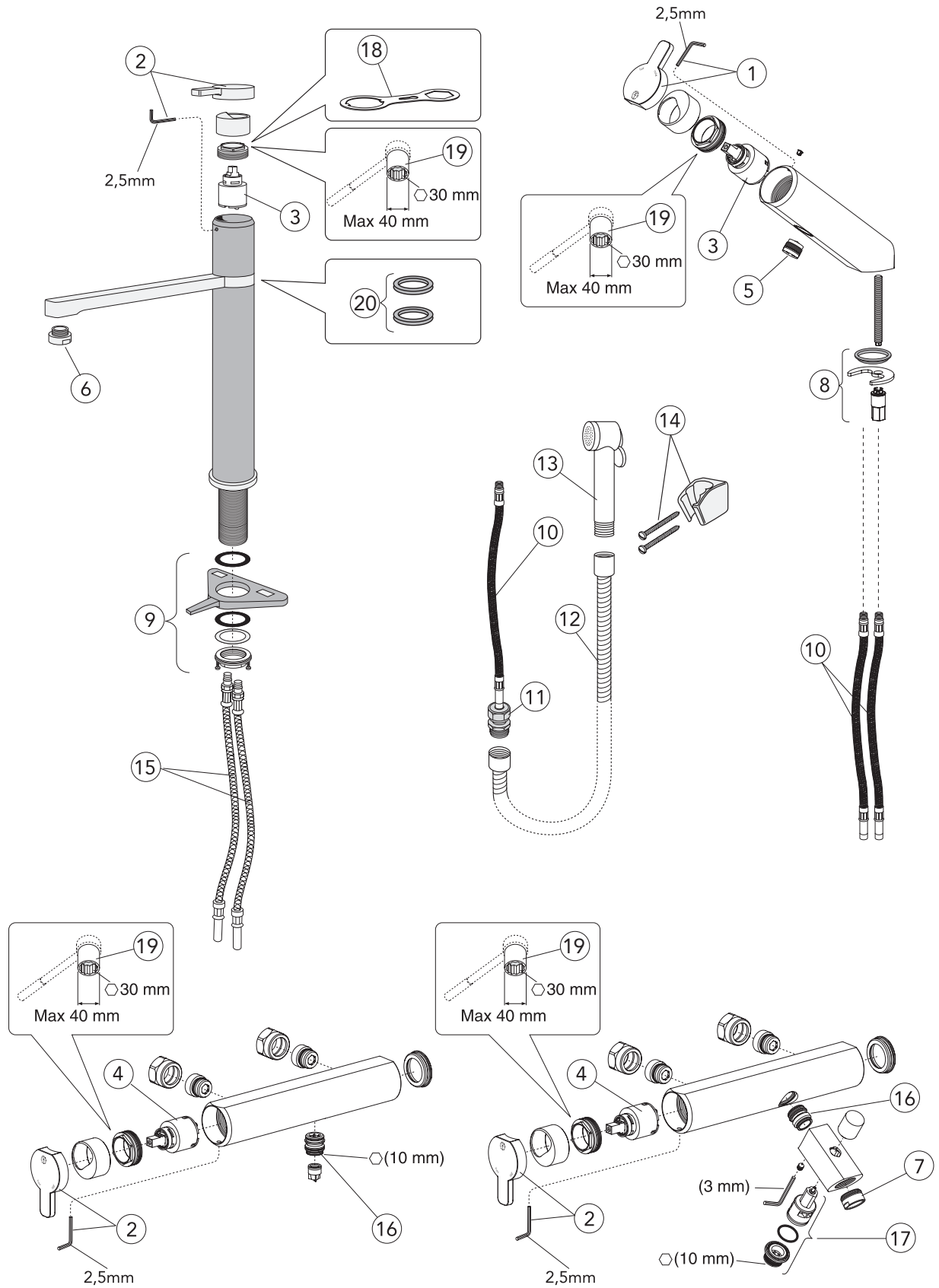
DETALJENUMMER OG PRODUKT	NRF. NR.	ART. NR.	VEIL. PRIS EKS. MVA.	VEIL. PRIS INKL. MVA.
1 Spak Nordic plus (2019-)		GB41639625 01	145	182
2 Dekkekåpe		GB41639523 01	177	221
3 Mutter - kerampakke		GB41639522 01	242	303
4 Kerampakke 35mm smart + standard	4342719	GB41637393	260	325
8 Slagbegrensningssats	4342716	GB41638450	133	166
9 O-ringsats	4342659	GB41637010 01	156	195
10 Avstanging for oppvaskmaskin		GB41639547 01	361	451
12 SoftPlex-slange		GB41638721 02	245	306
13 SoftPlex-slange 440mm		GB41638701 01	224	280
14 Monteringssett - kjøkkenblandeblender		GB41639573 01	88	110
15 Tut Atlantic		GB41639540 01	531	664
16 Regulator el, oppvaskmaskinavstenging		GB41639707 01	145	182
17 Kabel for el, oppvaskmaskinavstenging		GB41639678 01	145	182
18 Konsoll for el, oppvaskmaskinavstenging		GB41639681 01	145	182
19 Avstengingsventil for el, oppvaskmaskinavstenging		GB41639680 01	145	182
21 Hovedenhet for duo		GB41639686 01	145	182
24 Avtengingsventil for duo		GB41639690 01	145	182
25 Strømadapter 220V for duo		GB41639688 01	145	182
26 Regulator for duo		GB41639685 01	145	182
27 Strålesamler	4343242	GB41630129 01	123	154
Strømadapter 220V for el, oppvaskmaskinavstenging		GB41639683 01	145	182
Dusjåndtak		GB41638754 01	993	1.241
Utløpskran		GB41638753 01	2.812	3.515

RESERVEDELER





DETALJENUMMER OG PRODUKT	NRF. NR.	ART. NR.	VEIL. PRIS EKS. MVA.	VEIL. PRIS INKL. MVA.
1 Ettgreppspak Nordic ³	4342791	GB41639062 01	346	433
2a Dekkeplugg rød/blå merking	4342661	GB41634828 01	153	191
2b Dekkeplugg sort		GB41637384 01		
3a Servicepatron	4343367	GB41637267 01	595	744
3b Kerampakke NY	4342792	GB41637352 01	595	744
4a Låsering M45x1,5	4342753	GB41637261 01	169	211
4b Dekkering NY	4342752	GB41638202	168	210
5 Utløpstut		GB41639066 01	1.753	2.192
6 Strålesamler, Caché-HC-TJ-maie M18,5x1-B	4342767	GB41638549 01	123	154
7 X-ringer	4343213	GB41633971 02	74	93
8 Detaljer for slagbegrensning - utløpstut	4342754	GB41633972	69	86
9 Avstengningskran komplett 1998 08-	4343188	GB41635762 3301	247	309
10 SoftPex slanger (M10x1-ø10)	4342633	GB41637161 02	247	309
11 SoftPex slange (M10x1-G1/2)	4342768	GB41638220 01	182	227
12 Monteringsdetaljer (kjøkkenbatteri)	4340713	GB41634157 01	88	110
13 Monteringsverktøy 13/6kant.	4343341	GB43000014 10	240	300
15 Ettgreppspak Nordic Plus		GB41639510	433	542
Ledet perlator	4340711	GB41638521 01	168	210

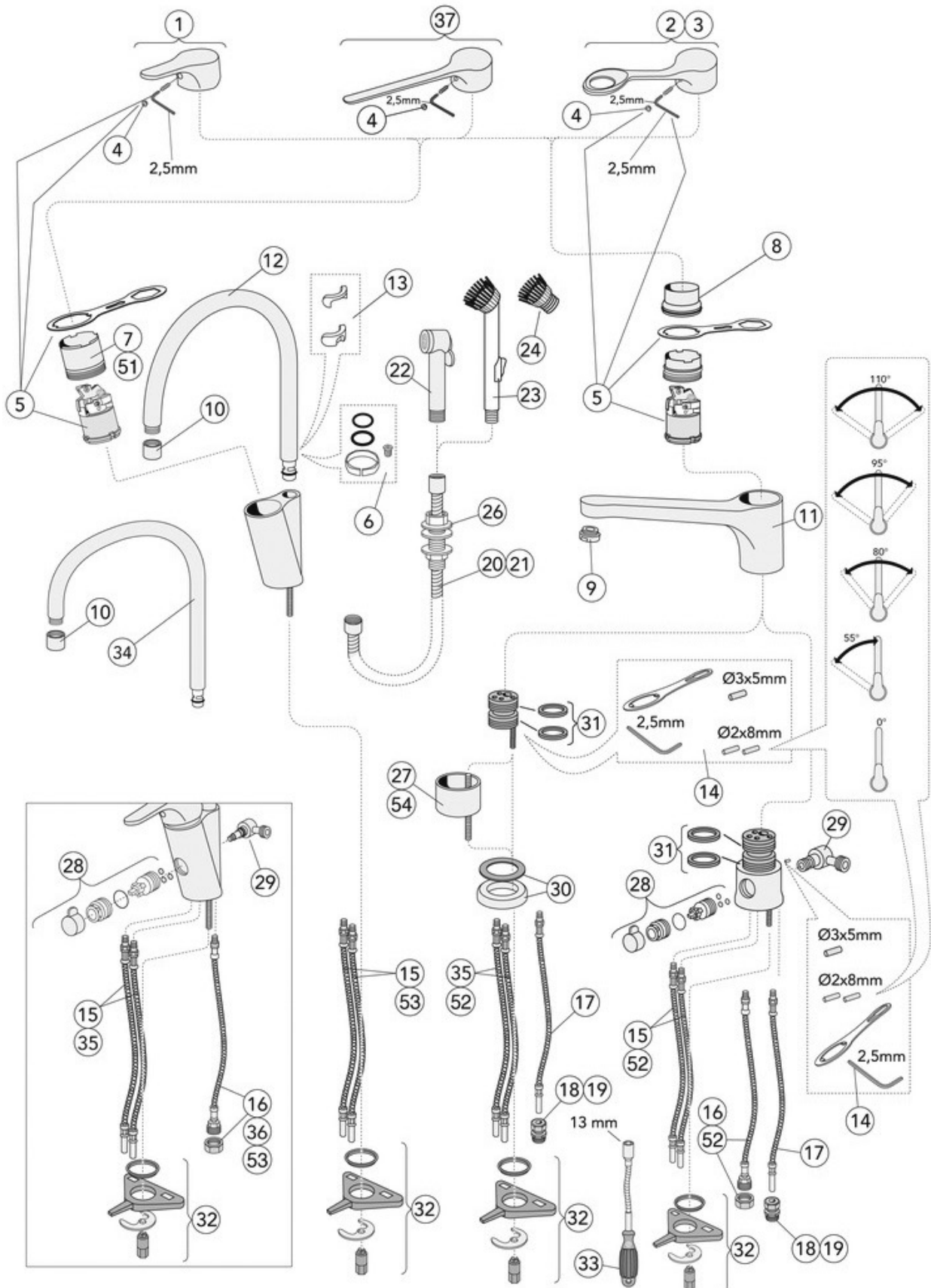




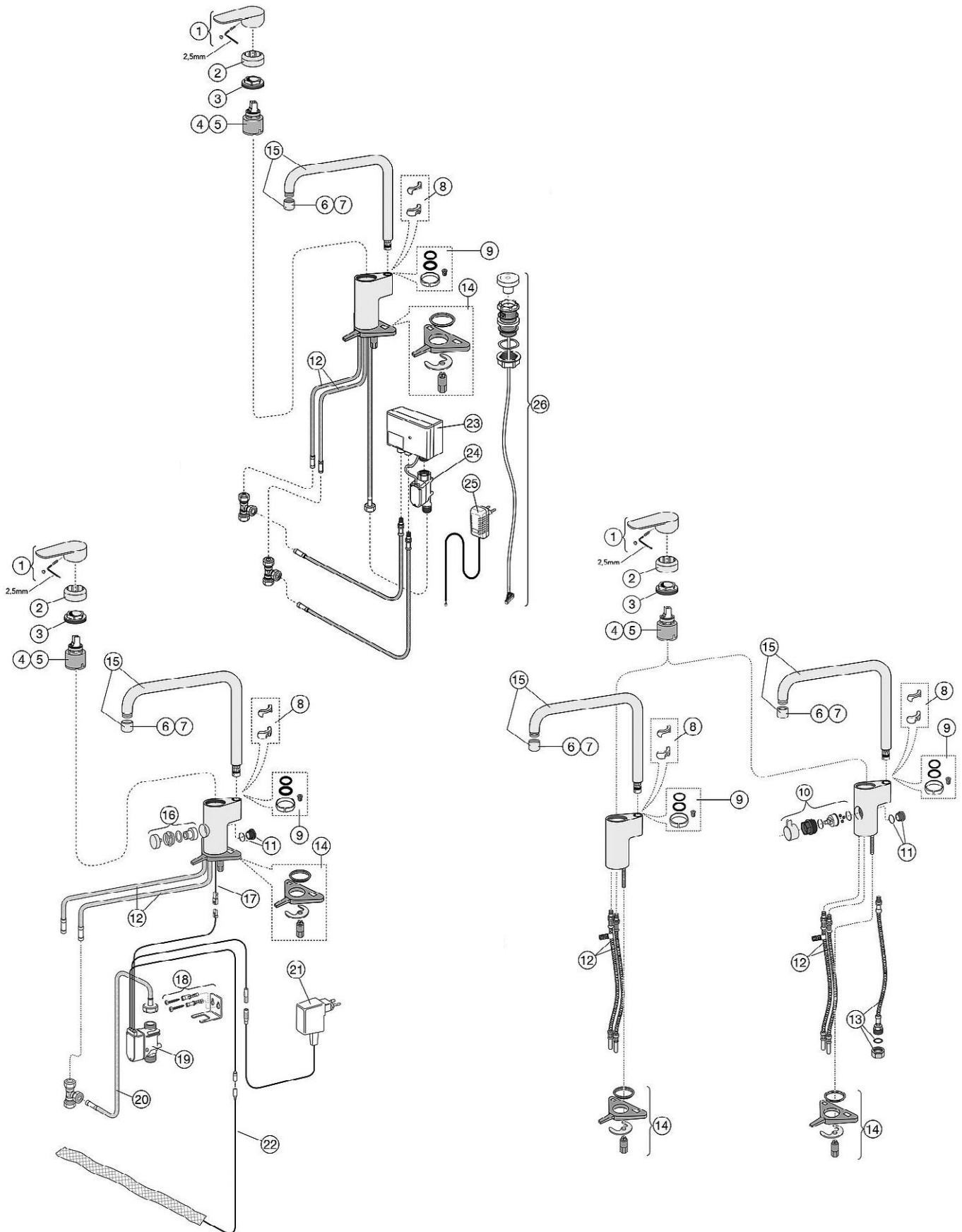
Reservedeler - Coloric servant-, kjøkken-, dusj- og badekarkran

DETALJENUMMER OG PRODUKT	NRF. NR.	ART. NR.	VEIL. PRIS EKS. MVA.	VEIL. PRIS INKL. MVA.
1 Ettgrepspak servantbatterier Coloric	4342721	GB41637406	666	833
2 Ettgrepspak Kjøkken/kar/dusjblatt, Coloric	4342722	GB41637407	596	745
3 Servicepatron servant/kjøkkenbatt, Coloric	4342724	GB41637415	232	290
4 Servicepatron kar/dusjbatterier Coloric	4342719	GB41637393	260	325
5 Strålesamlere M18,5x1	4342926	GB41637418	301	376
6 Strålesamlere M24x1 "A"	4343241	GB41630131 01	123	154
7 Strålesamlere M24x1 "D"	4342717	GB41637387 01	424	530
8 Monteringsdetaljer servantbatterier	4343319	GB41637280 01	97	121
9 Monteringsdetaljer kjøkkenbatterier	4342714	GB41638358 01	88	110
10 SoftPex slange	4342718	GB41637389 02	289	361
11 Kobling 10xG1/2	5080123	FG032033520	30	37
12 Dusjslange G1/2xG1/2	4343804	GB41636263 00	137	171
13 Selvstengende hånddusj	4343121	GB41633860 33	758	948
14 Hånddusj feste	4340714	GB41637575	140	175
15 SoftPex slange	4342715	GB41638361 02	277	346
16 Tilkoblingsnippel utløp	4342723	GB41637410	179	224
17 Draomkastare	4342725	GB41637416	465	581
Monteringsverktøy 13/6k	4343341	GB43000014 10	240	300
Monteringsverktøysett	4343369	GB43000021 01	540	675
18 Verktøy Nautic		GB41637260	189	236
19 Hylse NV		GB41638429 01	246	308
20 X-ringer	4343213	GB41633971 02	74	93

RESERVEDELER



DETALJENUMMER OG PRODUKT	NRF. NR.	ART. NR.	VEIL. PRIS EKS. MVA.	VEIL. PRIS INKL. MVA.
1 Ettgrepspak Nautic	4343366	GB41637250	335	419
2 Ettgrepspak HC Nautic	4342627	GB41637360 01	483	604
3 Ettgreps HC spak Nautic (rød/blå merking)	4342735	GB41637363 01	501	626
4 Dekkplugg rød/blå merking	4342661	GB41634828 01	153	191
5 Servicepatron Nautic	4343367	GB41637267 01	595	744
6 O-ringsats	4342659	GB41637010 01	156	195
7 Låsering M45x1,5	4342753	GB41637261 01	169	211
8 Låsering kj.batt med lav utløpstut	4342752	GB41638202	168	210
9 Strålsamlere M24x1	4343241	GB41630131 01	123	154
10 Strålsamlere M22x1	4343242	GB41630129 01	123	154
12 Utløpstut Nautic/Nordic -2007 04	4342776	GB41637326 0	1.172	1.465
13 Slagbegrensningssats - utløpstut	4342716	GB41638450	133	166
14 Detaljer for slagbegrensning	4342754	GB41633972	69	86
15 SoftPex slange (M10x1-ø10)	4342633	GB41637161 02	247	309
16 SoftPex slange (M10x1-G1/2), lengde 440 mm	4342768	GB41638220 01	182	227
17 SoftPex slange (M8x1-ø10), lengde 400 mm	4342771	GB41638199 01	174	218
18 Kobling 10xG1/2, -201005	5080093	FG032033520	30	37
19 Kobling 10xG3/8, 201005-	5080086	FG032033420	24	30
20 Dusjslange G1/2xG1/2, -2010 05	4343804	GB41636263 00	137	171
21 Dusjslange G1/2xG3/8, 2010 05-	4342731	GB41638375 01	195	244
22 Selvstengende hånddusj	4343121	GB41633860 33	758	948
23 Selvstengende oppvaskbørste	4343209	GB41633861 25	889	1.111
24 Oppvaskbørste (Utgående, restlager)	4343177	GB41633858	371	464
26 Gjennomføringshylse krom (for slange med G1/2xG3/8 ansl) 2010 05-	4342732	GB41638374 01	245	306
27 Forhøyningsdel 50mm	4340715	GB41632834	1.055	1.319
28 Avstengningskran komplett 1998 08-	4343188	GB41635762 3301	247	309
29 Tilkoblingsvinkel til benkoppvaskmaskin	4343189	GB41635790 01	737	921
30 Sokkel for benkett	4343218	GB41632952	83	104
31 X-ring for utløpstut	4343213	GB41633971 02	74	93
32 Monteringsdetaljer (kjøkkenbatterier)	4340713	GB41634157	92	115
33a Monteringsverktøy 13/6kant.	4343341	GB43000014 10	240	300
33b Monteringsverktøysett	4343369	GB43000021 01	540	675
34 Utløpstut Nautic		GB41638474 01	552	690
35 SoftPex slange, roterbar, kompositt innmatt		GB41638721 02	245	306
36 SoftPlex slange 440 mm, utv G1/2		GB41638701 01	224	280
37 HC spak, blyfri m/ fargemerking for kaldt og varmt		GB41637367 01	517	646
51 Låsering, M45x1,5, blyfri		GB41638981 01	387	484
52 SoftPlex slange, M10x1, slett ende i overdratt PEX		GB41638738 02	591	739
53 SoftPlex slange, plugin		GB41638708 02	612	765
54 Forhøyningsdel 50mm, blyfri		GB41638924 01	2.558	3.198

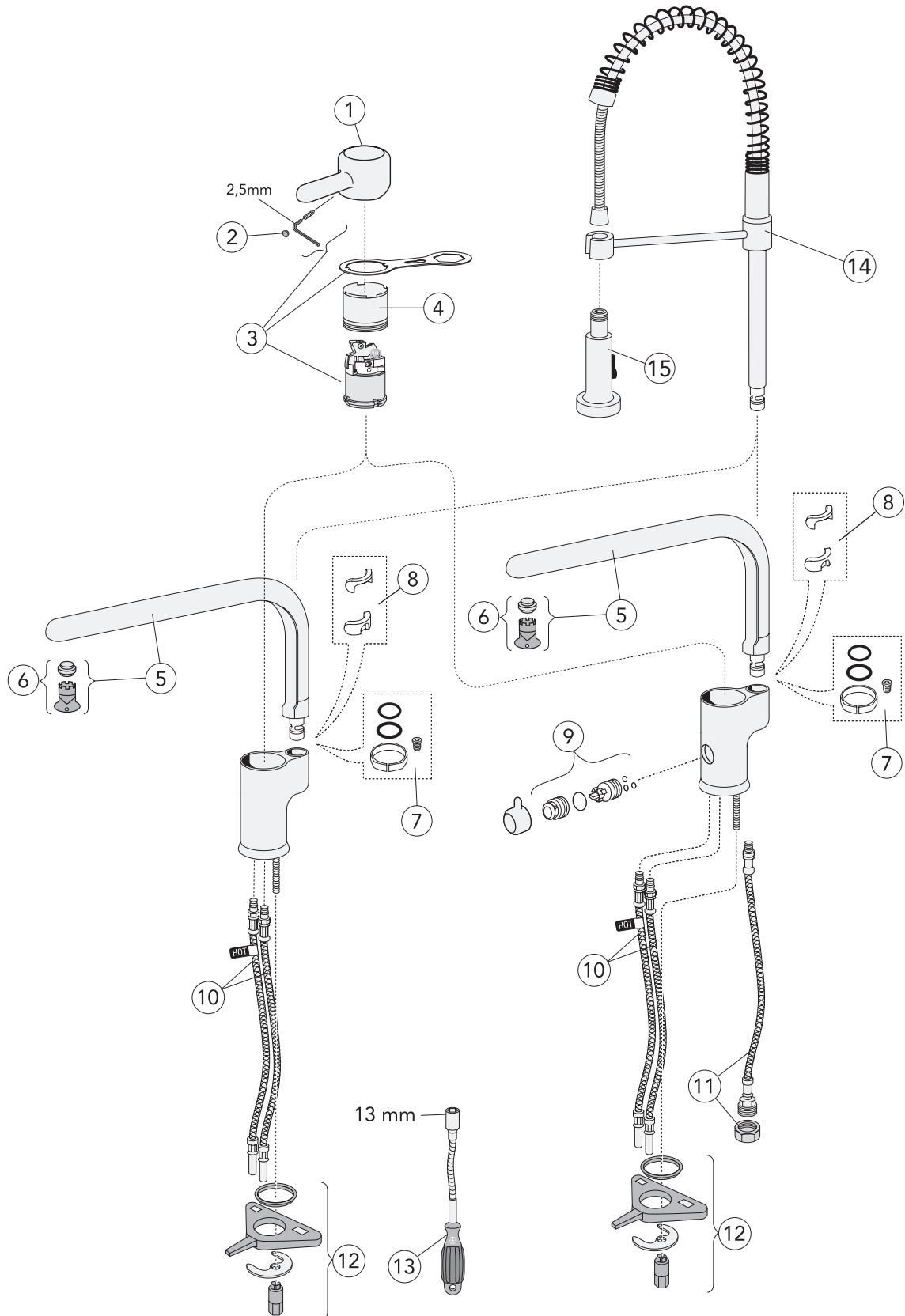




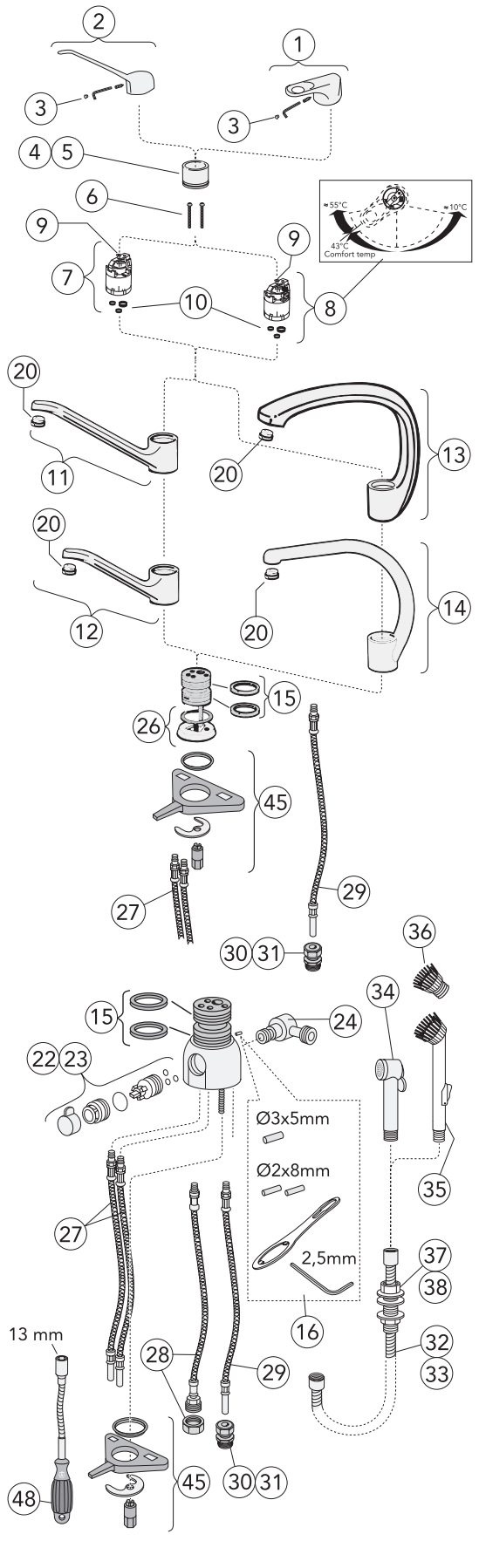
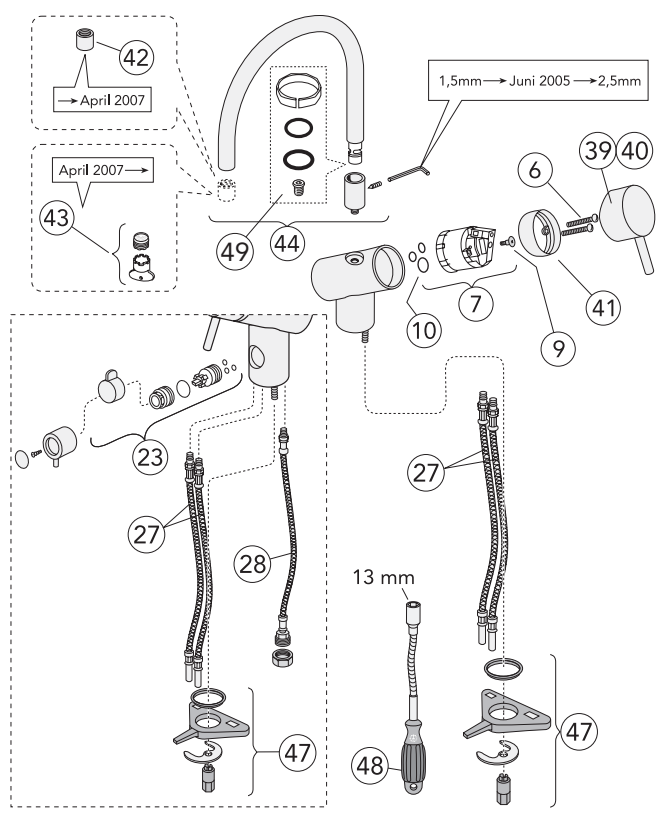
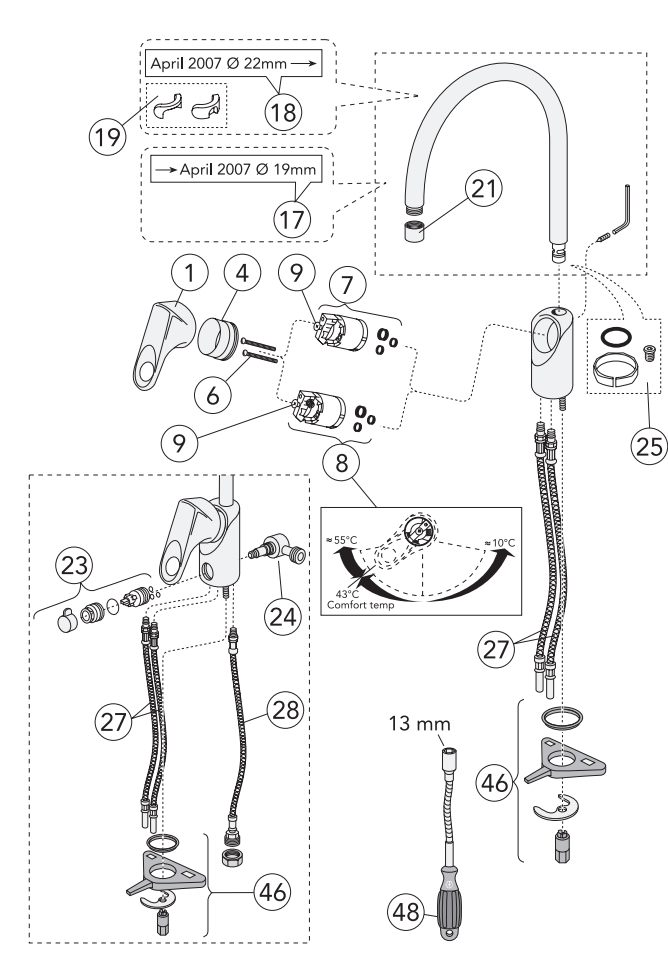
Reservedeler - Atlantic kjøkkenkran år 2018-

DETALJENUMMER OG PRODUKT	NRF. NR.	ART. NR.	VEIL. PRIS EKS. MVA.	VEIL. PRIS INKL. MVA.
1 Ettgrepspak Atlantic		GB41639541 01	350	437
2 Kappe		GB41639523 01	177	221
3 Mutter - servicepatron		GB41639522 01	242	303
4 Servicepatron 35 mm	4342719	GB41637393	260	325
5 Servicepatron 35 mm, energispar		GB41639567 01	361	451
6 Strålesamler/perlator M22x1	4343242	GB41630129 01	123	154
7 Strålesamler/perlator M22x1, 1,2 gpm		GB41639610 01	207	259
8 Slagbegrensningsinnsats/utløpstut	4342716	GB41638450	133	166
9 O-ringsats	4342659	GB41637010 01	156	195
10 Avstegnings-oppvaskmaskin		GB41639547 01	361	451
11 Plugg benkeoppvaskmaskin komplett		GB41639525 01	77	97
12 SoftPex slang roterbar-ø10, 2014 05-		GB41638721 02	245	306
13 SoftPex slang, roterbar - G1/2 utv. med mutter		GB41638701 01	224	280
14 Monteringskit - kjøkkenkran		GB41639573 01	88	110
15 Utløpstut Atlantic		GB41639540 01	531	664
16 Regulator el, oppvaskmaskinavstenging		GB41639707 01	145	182
17 Kabel for el, oppvaskmaskinavstenging		GB41639678 01	145	182
18 Konsoll for el, oppvaskmaskinavstenging		GB41639681 01	145	182
19 Avstengingsventil for el		GB41639680 01	145	182
21 Strømadapter 220V for el, oppvaskmaskinavstenging		GB41639683 01	145	182
22 Ekstra sensor		FG0901201	634	793
23 Hovedenhet for duo		GB41639686 01	145	182
24 Avstengingsventil for duo		GB41639690 01	145	182
25 Strømadapter 220V for duo		GB41639688 01	145	182
26 Regulator for duo		GB41639685 01	145	182

RESERVEDELER



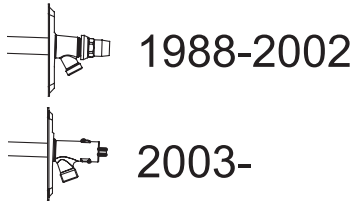
DETALJENUMMER OG PRODUKT	NRF. NR.	ART. NR.	VEIL. PRIS EKS. MVA.	VEIL. PRIS INKL. MVA.
1 Ettgrepsspak Logic	4342766	GB41638514 01	355	444
2 Dekkplugg	4342661	GB41634828 01	153	191
3 Servicepatron med verktøy for Logic og Nautic	4343367	GB41637267 01	595	744
4 Kåpe	4342753	GB41637261 01	169	211
5 Utløpstut (Utående, restlager)		GB41638509 01	1.237	1.546
6 Strålesamler, M18, 5 x 1-B m/verktøy	4342767	GB41638549 01	123	154
7 O-ringsett	4342659	GB41637010 01	156	195
8 Sperrestift for svingradius	4342716	GB41638450	133	166
9 Avstengningskran komplett f/kjøkkenbatteri	4343188	GB41635762 3301	247	309
10 SoftPex slange (M10x1-ø10)	4342633	GB41637161 02	247	309
11 SoftPex slange (M10x1-G1/2))	4342768	GB41638220 01	182	227
SoftPex slange (NY - mangler pris)(svivel)(2015-), kompositt innmatt		GB41638721 02	245	306
12 Monteringsdetaljer	4340713	GB41634157 01	88	110
13 Monteringsverktøy	4343341	GB43000014 10	240	300
Monteringsverktøysett	4343369	GB43000021 01	540	675
15 Dusjhåndtak		GB41638754 01	993	1.241



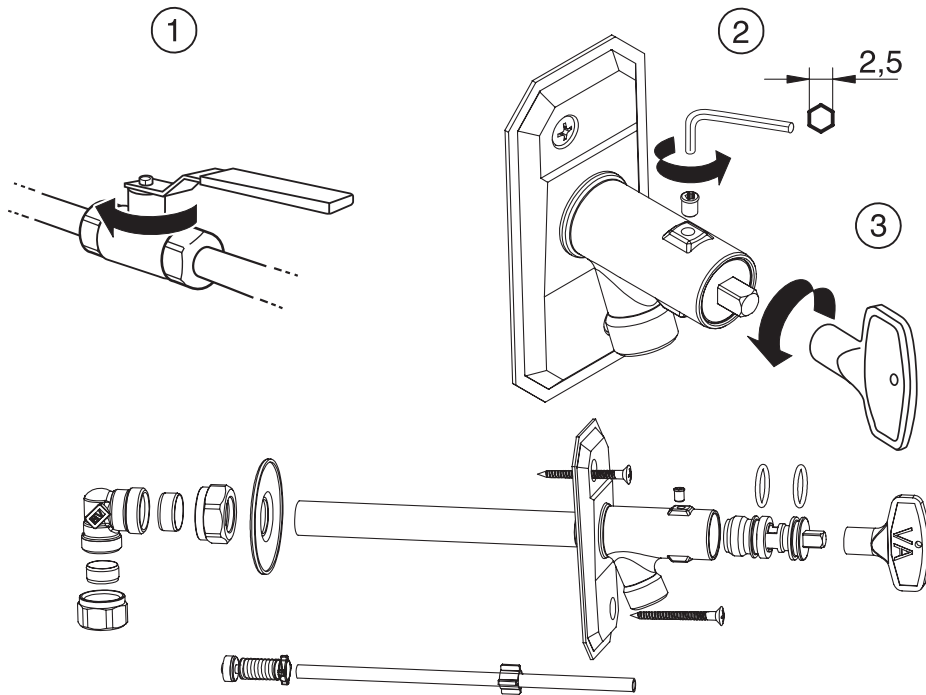


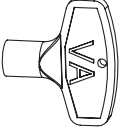
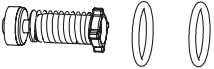
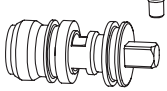
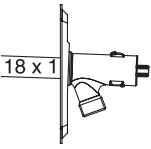

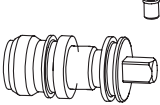
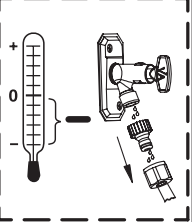
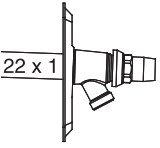
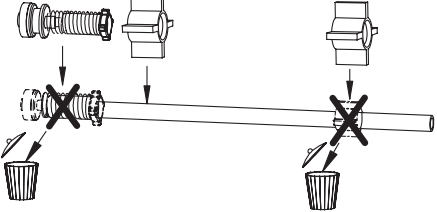
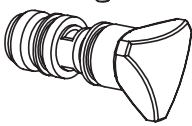
Reservedeler - Nordic, Skandic, ND40 kjøkkenkraner

DETALJENUMMER OG PRODUKT	NRF. NR.	ART. NR.	VEIL. PRIS EKS. MVA.	VEIL. PRIS INKL. MVA.
1 Ettgrepsspak Nordic	4343347	GB41636617 01	247	309
2 Ettgrepsspak RH Nordic	4342991	GB41635430 01	483	604
3 Dekkplugg, rød/blå merking	4342661	GB41634828 01	153	191
4 Kåpe gjenget	4343166	GB41634470 01	169	211
5 Kåpe med O-ring	4343126	GB41636326 01	174	218
6 Festeskruer for servicepatron M5x40	4343216	GB41632731 02	69	86
7 Servicepatron inkl. topplokk 634955-01, Universal	4343196	GB41633877 01	708	885
8 Servicepatron Nordic TT-funksjon	4343059	GB41635678 8701	688	860
9 Spakfeste TP 6-19		GB41636319	69	86
10 Gummipakning for servicepatron, komplett	4343211	GB41633513 01	89	111
11 Utløpstut 240	4343353	GB41636246 01	1.596	1.995
14 Utløpstut 200, ekstra høy svingbar tut f/benkebatteri	4342911	GB41634610	1.648	2.060
15 X-ringer	4343213	GB41633971 02	74	93
16 Slagbegrensningssats	4342754	GB41633972	69	86
18 Utløpstut 200 "ø22" 2007 04-	4342776	GB41637326 0	1.172	1.465
19 Slagbegrensningssats	4342716	GB41638450	133	166
20 Strålesamlere M24x1	4343241	GB41630131 01	123	154
21 Strålesamlere M22x1	4343242	GB41630129 01	123	154
23 Avstengningskran kompl.f/benkebatteri, krom 1998-	4343188	GB41635762 3301	247	309
24 Vridbar tilkbl.vinkel f/oppvaskmaskin på benk 1998 08-	4343189	GB41635790 01	737	921
25 O-ringsett f/utløpstut NordicPlus fra 2005	4342659	GB41637010 01	156	195
26 Distansering, o-ring samt glidring	4343218	GB41632952 01	81	101
27 SoftPex slange, 2 stk. L=400 mm, (M10x1-ø10)	4342633	GB41637161 02	247	309
28 SoftPex slange (M10x1-G1/2), lengde 440 mm	4342768	GB41638220 01	182	227
29 SoftPex slange (M8x1-ø10), lengde 400 mm	4342771	GB41638199 01	174	218
30 Kopling 10xG1/2, -201005	5080093	FG032033520	30	37
31 Kopling 10xG3/8, 201005-	5080086	FG032033420	24	30
32 Dusjslange G1/2xG1/2, -2010 05	4343804	GB41636263 00	137	171
33 Dusjslange G1/2xG3/8, 2010 05-	4342731	GB41638375 01	195	244
34 Selvstengende hånddusj	4343121	GB41633860 33	758	948
35 Selvstengende oppvaskbørste	4343209	GB41633861 25	889	1.111
38 Gjennomføringshylse krom (for slange med G1/2xG3/8 ansl) 2010 05-	4342732	GB41638374 01	245	306
40 Ettgrepsspak Leg Skandic 03	4346741	GB41636447 01	1.022	1.278
41 Kåpe	4342669	GB41635680 01	478	598
42 Strålesamlere -2007 05	4342675	GB41636437 01	501	626
43 Strålesamlere 2007 05-	4342676	GB41637337 01	501	626
45 Monteringsdetaljer	4340713	GB41634157 01	88	110
46 Monteringsdetaljer		GB41637011 01	88	110
47 Monteringsdetaljer	4343175	GB41636440 01	88	110
48 Monteringsverktøy 13/6kant.	4343341	GB43000014 10	240	300
Monteringsverktøysett	4343369	GB43000021 01	540	675

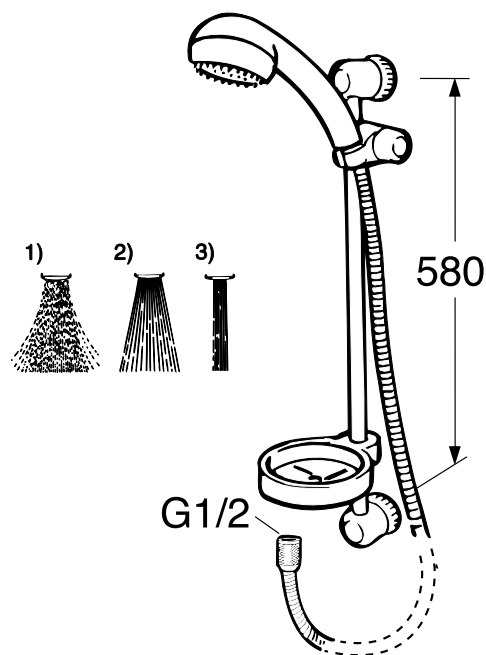
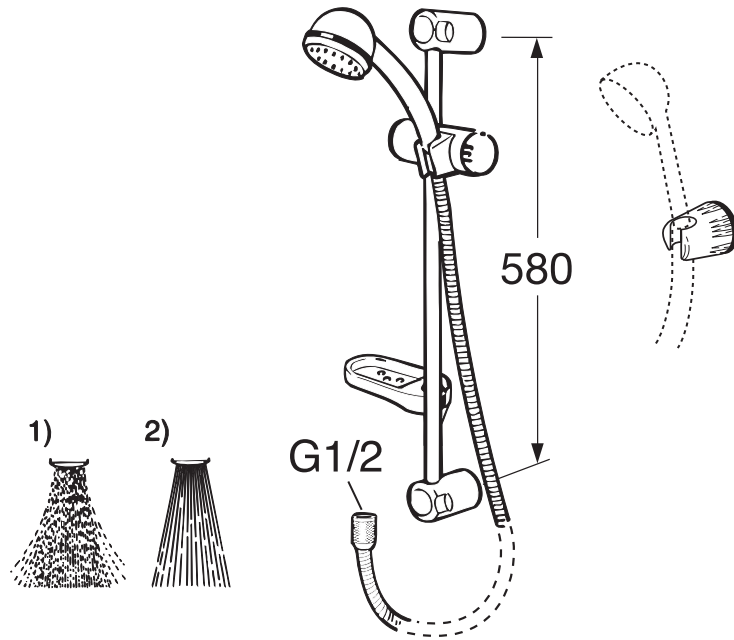


RESERVEDELER



<p>FGO 64 05 60</p> 	<p>FGO 64 08 35</p> 	<p>FGO 64 08 36</p> 
<p>2003-</p>  <p>18 x 1</p>	<p>400mm: GB41 63 35 05 1000mm: GB41 63 35 06</p> 	<p>FGO 64 08 37</p>  
<p>1988 - 2003</p>  <p>22 x 1</p>		<p>FGO 64 08 41</p> 

DETALJENUMMER OG PRODUKT	NRF. NR.	ART. NR.	VEIL. PRIS EKS. MVA.	VEIL. PRIS INKL. MVA.
Nøkkel 8 mm, fra 1977	4342969	FG0640560	88	110
Komplett overdel (for nøkkel) u/dren.	4343273	FG0640548	195	244
Reservevedelssett komplett (etter 1986)	4343286	GB41633510 01	147	184
Spindelforl. 400 mm (etter 1986)	4343271	GB41633505 01	347	434
Spindelforl. 1000 mm (etter 1986)	4343272	GB41633506 01	561	701
Komplett overdel m/drenering f/101015	4343275	FG0640782	391	489
Tilbakeslagsventil Ø14 mm(f.o.m aug. 1996)	4343336	GB41634719 01	83	104
Fjærbelastet tilbakeslagsventil, type	4343084	FG0640835	68	85
Komplett overdel m/drenering f/nøkkel, NY	4343085	FG0640836	391	489
Spindel med ratt 18 mm, krom	4342686	FG0640841	385	481



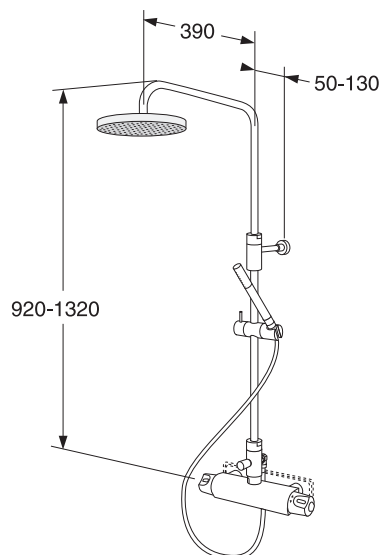
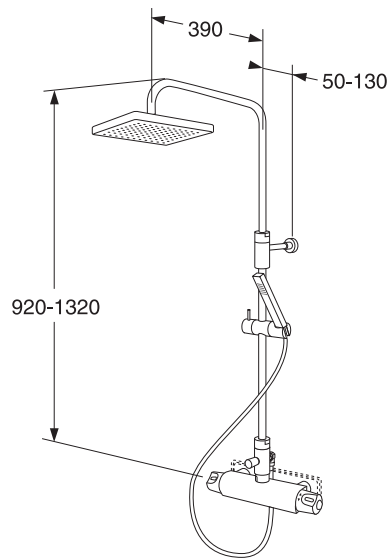
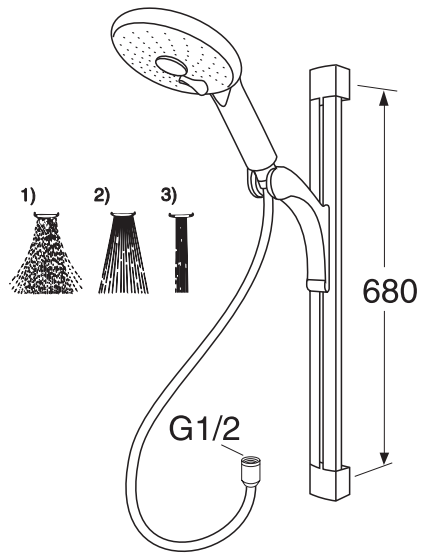


Nordic dusjsett

DETALJENUMMER OG PRODUKT	NRF. NR.	ART. NR.	VEIL. PRIS EKS. MVA.	VEIL. PRIS INKL. MVA.
Slange	4343811	GB41636266 00	195	244
Veggfeste, krom	4343801	GB41636254 00	202	253
Glider, krom	4343802	GB41636255 00	199	249
Hånddusj, krom	4343803	GB41636261 00	243	304
Hånddusjfeste vegg, krom	4340714	GB41637575	140	175
Såpekopp, transparent	43438 05	GB41636264 44	123	154

Dusjsett 1

DETALJENUMMER OG PRODUKT	NRF. NR.	ART. NR.	VEIL. PRIS EKS. MVA.	VEIL. PRIS INKL. MVA.
Hånddusj	4342757	GB41638725 01	363	454
Dusjslange	4343811	GB41636266 00	195	244
Veggfeste	4342759	GB41638727 02	243	304
Såpekopp	4342761	GB41638728 01	233	291
Glider	4342756	GB41638726 01	223	279



**Coloric dusjsett**

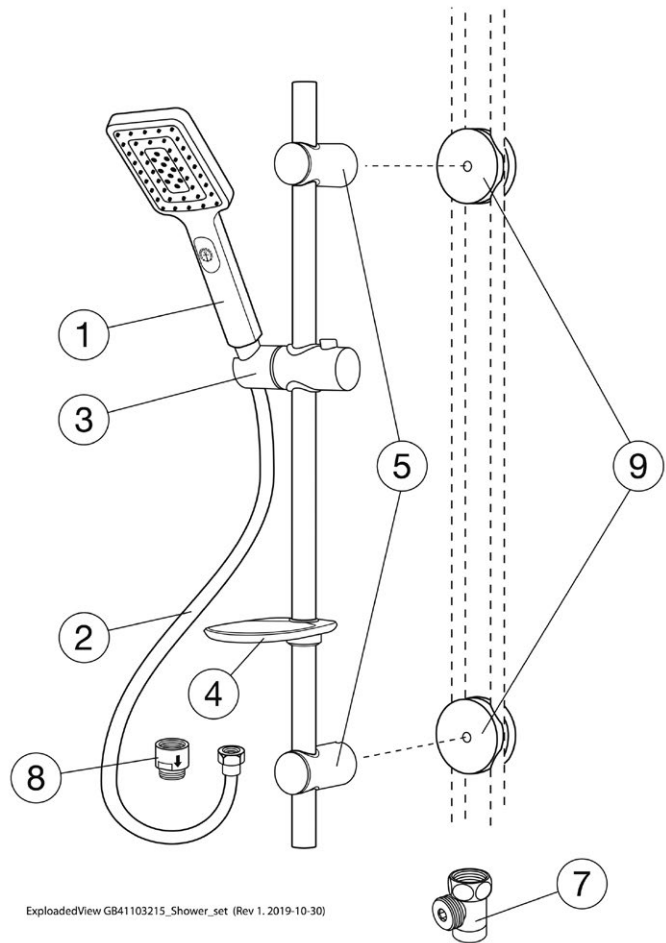
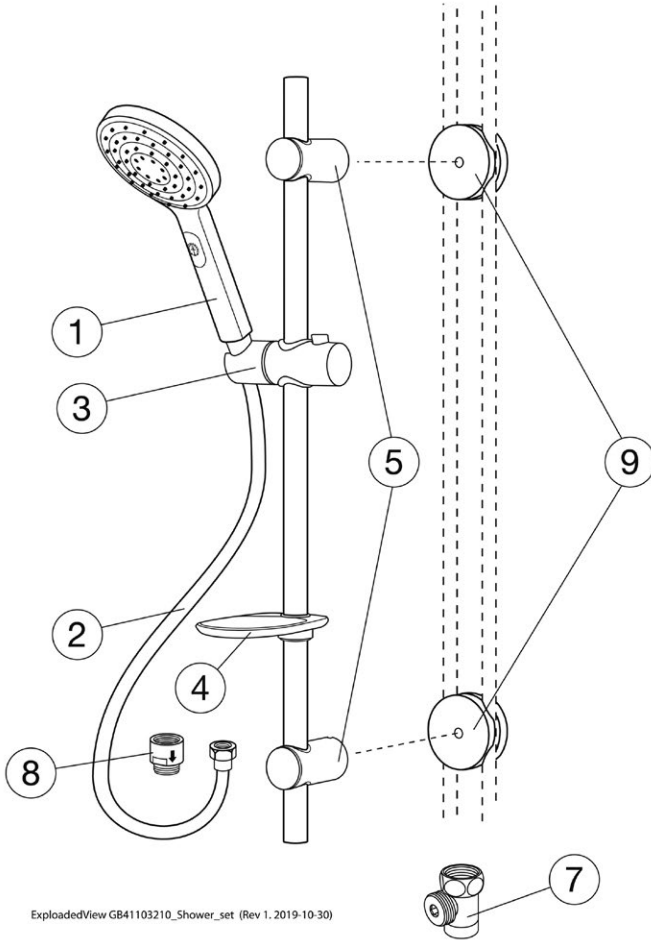
DETALJENUMMER OG PRODUKT	NRF. NR.	ART. NR.	VEIL. PRIS EKS. MVA.	VEIL. PRIS INKL. MVA.
Dusjslange	4343811	GB41636266 00	195	244
Hånddusj	4342762	GB41637562	708	885

G1 dusjsett

DETALJENUMMER OG PRODUKT	NRF. NR.	ART. NR.	VEIL. PRIS EKS. MVA.	VEIL. PRIS INKL. MVA.
Hånddusj G1	4342936	GB41638467	458	573
Slange G1/G2	4343811	GB41636266 00	195	244
Kit for sidemontering	4342933	GB41638464	495	619
Veggstag G1/G2	4342935	GB41638466	245	306
Omkaster	4342934	GB41638465	448	560
Glider G1/G2	4342941	GB41638472	202	253
Takdusj Square		GB41639443	1.136	1.420
Vinkel G1/G2		GB41637319	737	921
Pakninger G1/G2		GB41638589	68	85

G2 dusjsett

DETALJENUMMER OG PRODUKT	NRF. NR.	ART. NR.	VEIL. PRIS EKS. MVA.	VEIL. PRIS INKL. MVA.
Hånddusj G2	4342937	GB41638468	458	573
Slange G1/G2	4343811	GB41636266 00	195	244
Kit for sidemontering	4342933	GB41638464	495	619
Veggstag G1/G2	4342935	GB41638466	245	306
Omkaster	4342934	GB41638465	448	560
Glider G1/G2	4342941	GB41638472	202	253
Takdusj Round		GB41639440	458	573
Vinkel G1/G2		GB41637319	737	921

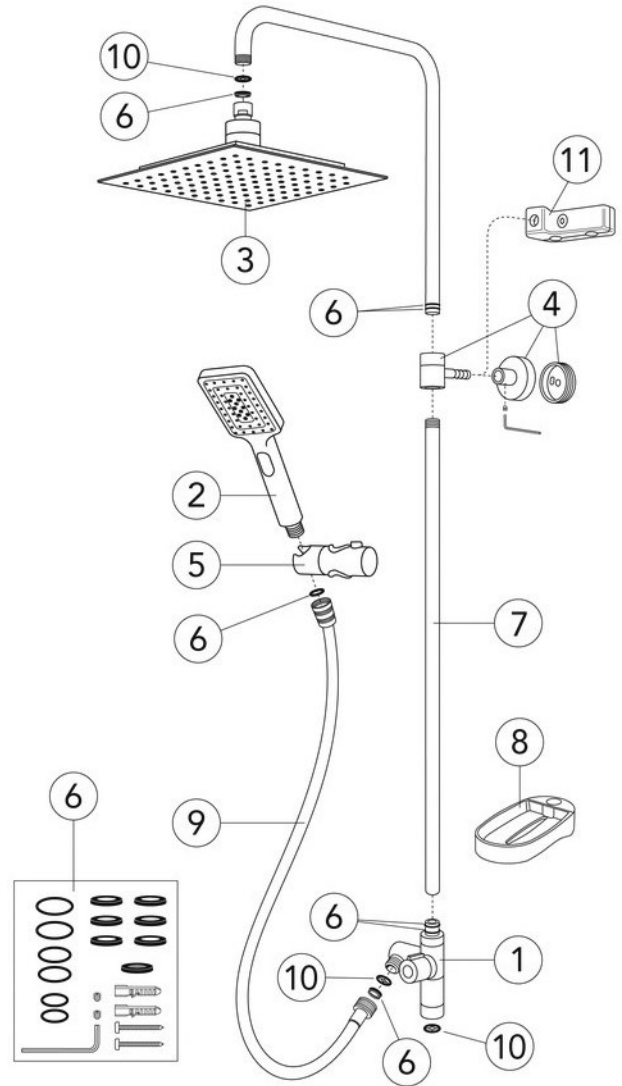
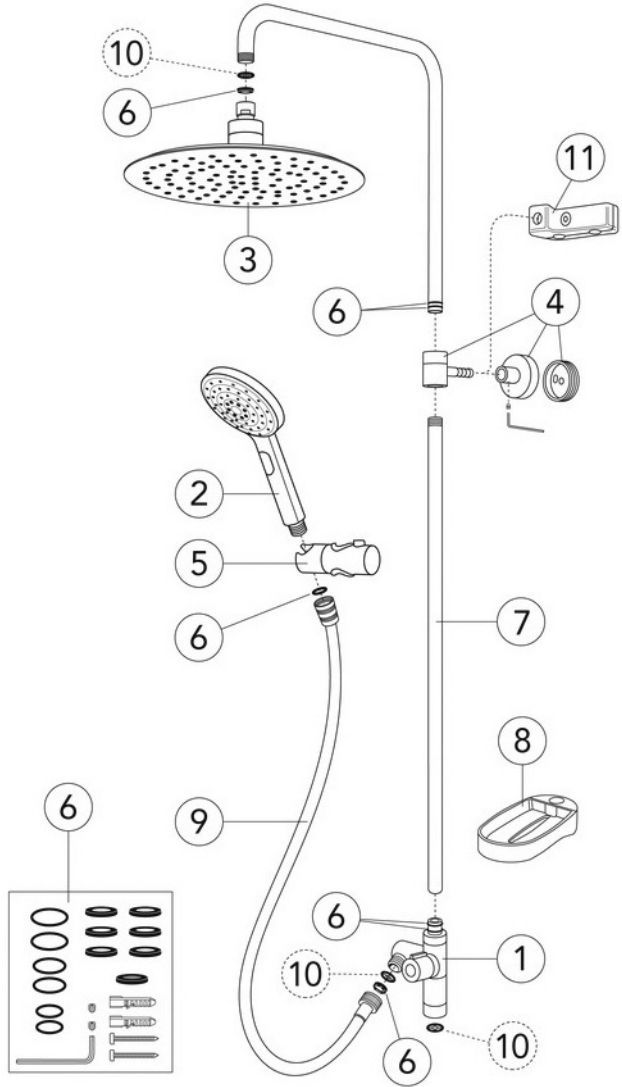


Round dusjsett

DETALJENUMMER OG PRODUKT	NRF. NR.	ART. NR.	VEIL. PRIS EKS. MVA.	VEIL. PRIS INKL. MVA.
1 Hånddusj Round	4342784	GB41639440	458	573
1 Hånddusj Round i matt sort		GB41639440 53	574	718
2 Dusjslange	4342758	GB41636266 00	195	244
2 Dusjslange i matt sort		GB41637572 53	320	400
3 Glider 22mm		GB41639445	304	380
3 Glider 22 mm i matt sort		GB41639445 53	433	541
4 Såpekopp		GB41639587 01	127	159
5 Veggfeste		GB41639588 01	122	153
7 Dreneringsventil Care		GB41638960 01	622	777
8 Tilbakeslagsventil		GB41634730	120	150
9 Feste for dusjsett		GB41637850 02	296	371

Square dusjett

DETALJENUMMER OG PRODUKT	NRF. NR.	ART. NR.	VEIL. PRIS EKS. MVA.	VEIL. PRIS INKL. MVA.
1 Hånddusj Square	4342804	GB41639441	458	573
2 Dusjslange	4342758	GB41636266 00	195	244
3 Glider 22mm		GB41639445	304	380
4 Såpekopp		GB41639587 01	127	159
5 Veggfeste		GB41639588 01	122	153
7 Dreneringsventil Care		GB41638960 01	622	777
8 Tilbakeslagsventil		GB41634730	120	150
9 Feste for dusjsett		GB41637850 02	296	371

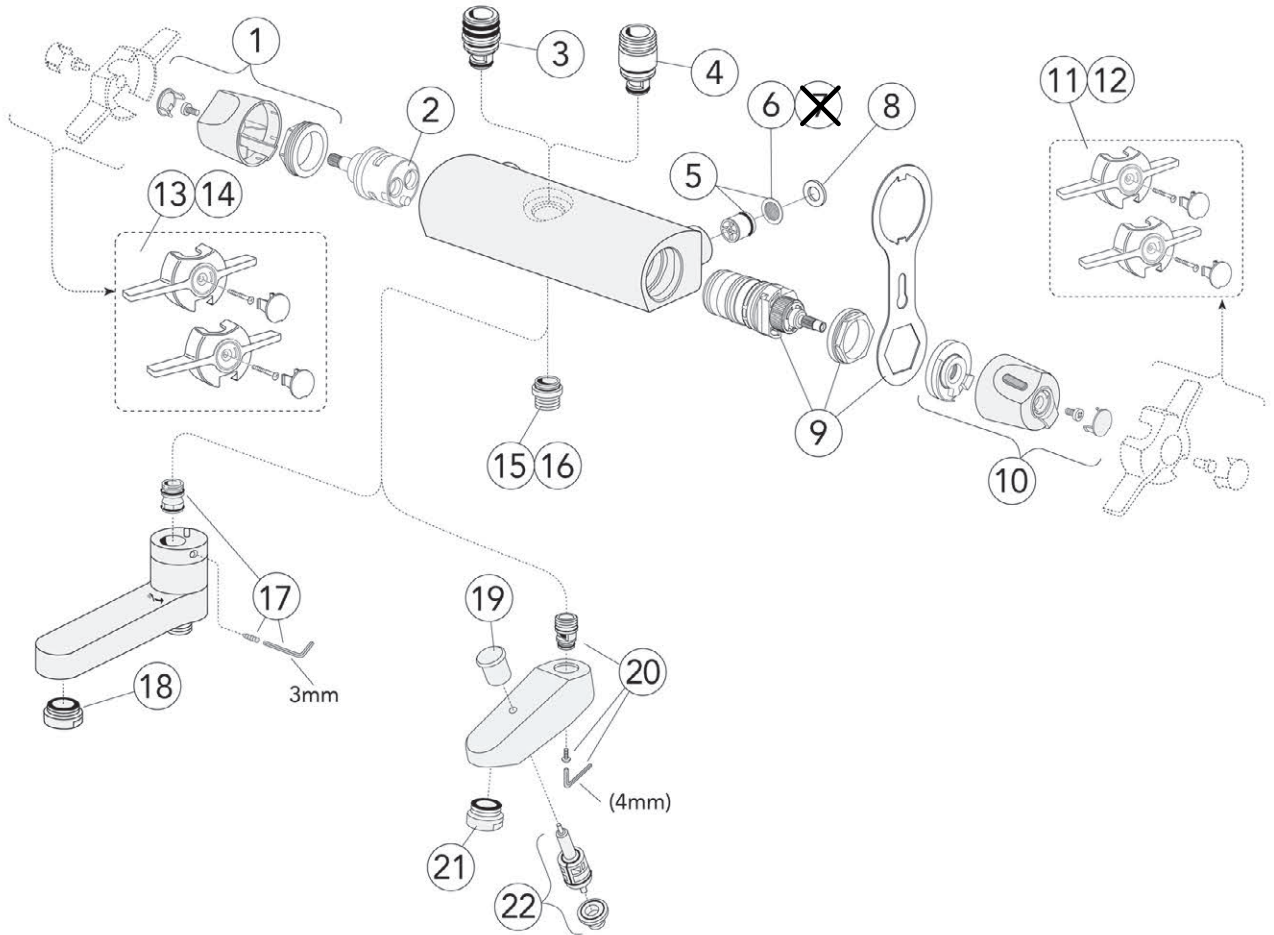


Round Takdusj

DETALJENUMMER OG PRODUKT	NRF. NR.	ART. NR.	VEIL. PRIS EKS. MVA.	VEIL. PRIS INKL. MVA.
1 Omkaster		GB41639439	263	329
2a Hånddusj Round	4342784	GB41639440	458	573
2b Hånddusj Round i matt sort		GB41639440 53	574	718
3a Takdusj Round		GB41639442	1.136	1.420
3b Takdusj Round i matt sort		GB41639442 53	2.382	2.978
4a Veggstang		GB41639444	251	314
4b Veggstang i matt sort		GB41639444 53	1.063	1.329
5a Glider 22mm		GB41639445	304	380
5b Glider 22mm i matt sort		GB41639445 53	433	541
6 Pakkningssats		GB41639446	103	129
7 Dusjstang forlenger 106cm	4342809	GB41639512	357	446
8 Såpekopp		GB41639513	122	153
9a Dusjslange	4343811	GB41636266 00	195	244
9b Dusjslange i matt sort		GB41637572 53	320	400
10 Vannstrømsparerer G1/2" (12 l/min)		GB41639485	67	84
11 Øvre feste		GB41639586 01	593	742

Square Takdusj

DETALJENUMMER OG PRODUKT	NRF. NR.	ART. NR.	VEIL. PRIS EKS. MVA.	VEIL. PRIS INKL. MVA.
1 Omkaster		GB41639439	263	329
2a Hånddusj Square	4342804	GB41639441	458	573
2b Hånddusj Square i matt sort		GB41639441 53	1.919	2.399
3a Takdusj Square		GB41639443	1.136	1.420
3b Takdusj Square i matt sort		GB41639443 53	2.690	3.363
4a Veggfeste		GB41639444	251	314
4b Veggfeste i matt sort		GB41639444 53	1.063	1.329
5a Glider 22 mm		GB41639445	304	380
5b Glider 22 mm i matt sort		GB41639445 53	433	541
6 Pakkningssats		GB41639446	103	129
7 Dusjstang forlenger 106cm	4342809	GB41639512	357	446
8 Såpekopp		GB41639513	122	153
9a Dusjslange	4343811	GB41636266 00	195	244
9b Dusjslange i matt sort		GB41637572 53	320	400
10 Vannstrømsparerer G1/2" (12 l/min)		GB41639485	67	84
11 Øvre feste		GB41639586 01	593	742



Termostat for Round og Square

DETALJENUMMER OG PRODUKT	NRF. NR.	ART. NR.	VEIL. PRIS EKS. MVA.	VEIL. PRIS INKL. MVA.
1 Ratt for mengdeside		GB41639456 01	153	191
2 Vender/Ventil overstykke		GB41639500 01	538	673
3 Utløpsnippel for Square / Round dusjsett		GB41639453 01	100	125
4 Utløpsnippel 1/2"		GB41639457 01	124	155
5 Tilbakeslagsventil med filter	4343096	GB41632698 02	195	244
6 Filter for tilbakeslagsventil	4343065	GB41635633 02	65	81
8 Pakning ø24,2-15,3x3 for anslutning 150 cc		GB41635641	23	29
9 Termostatinsats (CA77N)	4342726	GB41638334 01	543	679
10 Ratt for temperatursiden (CA77N)	4341957	GB41638336 01	68	85
11 HC-spak for mengde/temperatursiden, grå	4342637	GB41637840 02	246	308
12 HC-spak for mengde/temperatursiden, rød		GB41637845 02	82	103
15 Anslutningsnippel G1/2-M20x1,5	4341962	GB41634757 01	180	225
16 Anslutningsnippel med tilbakeslagsventil G1/2-M20x1,5	4343363	GB41634756 01	180	225
17 Anslutningsnippel for omkastere/utløpstut	4343362	GB41636359 01	68	85
18 Strålsamlere M24x1 D	4342717	GB41637387 01	424	530
19 Trekk knappen for draomkaster		GB41636822 01	58	73
20 Anslutningsnippel for utløpstut	4343368	GB41637347	180	225
21 Strålsamlere M28x1, krom	4343123	GB41634555 01	424	530
22 Draomkastere	4341963	GB41636577 01	332	415
Dusjtermostat for Nautic		GB41215302	2.806	3.508
Dusjtermostat for Nordic3		GB41215602	2.806	3.508
Dusjtermostat for Estetic		GB41218302	3.217	4.021
Dusjtermostat for Estetic sort matt		GB41218302 53	5.783	7.229
Dekkrosett i sort matt	4342812	GB41639921 02	103	129

RETNINGSLINJER FOR KUNDEREKLAMASJONER VILLEROY & BOCH NORGE AS

Av det nedenstående vil det fremgå hvilke retningslinjer som skal følges ved ulike reklamasjoner. Vi ber Dem spesielt påse at ingen varer returneres til Villeroy & Boch Norge AS før selskapet har avgitt sin uttalelse. På denne måten vil reklamasjonen få hurtigere og smidigere behandling.

A. Feil eller uoverensstemmelser som er oppstått i forbindelse med fakturering eller ekspedert kvantum.

Definisjon:

Kjøperen har mottatt riktig type varer, men feil er oppstått i faktureringen (f.eks. pris, avgift, utregning etc.) eller det mottatte kvantum stemmer ikke med pakkseddel/faktura.

Behandling:

Kjøperen må underrette Villeroy & Boch Norge AS om feilen. Villeroy & Boch Norge AS vil så raskt som mulig, foreta de nødvendige korrigeringer av fakturaen/levert kvantum. Kontakt Villeroy & Boch Norge AS ordrekontor.

B. Mottagelse av feil type vare.

Definisjon:

Det foreligger ikke noe kvalitetsproblem, men feil type varer er mottatt av kjøperen.

Alternativ kan være at:

1. Ordrebekreftelse ikke er kontrollert mot bestilling og avvik/feil har oppstått.
2. Kjøperen har bestilt feil vare
3. Villeroy & Boch Norge AS har levert feil type vare.

Behandling:

1. Dersom ordrebekreftelse ikke er kontrollert mot bestilling:
Ordrebekreftelse fra Villeroy & Boch Norge AS må umiddelbart kontrolleres mot bestilling slik at evt. avvik/feil kan bli korrigert. Hvis så ikke blir gjort og feil oppstår, må dette anses som feilbestilt og det vil bli fratrukket 40% i evt. returomkostninger.
2. Dersom Kjøperen har bestilt feil type varer:
 - a) Returanmodning må innkomme til Villeroy & Boch Norge AS innen 20 dager etter mottagelsen av varene.
 - b) Retur godkjennes kun for standard lagervare som normalt føres av Villeroy & Boch Norge AS. Kun komplette varer kan godkjennes. En vare som er spesialtilvirket for en kjøper eller som av andre grunner ikke kan betraktes som standard lagervare, godkjennes normalt ikke for retur. Kvalitetsreklamasjoner er unntatt fra denne regel.

RETNINGSLINJER FOR KUNDEREKLAMASJONER VILLEROY & BOCH NORGE AS

- c) Varene må være innpakket i originalemballasjen og være tilgjengelig for eventuell inspeksjon. Bare fullt salgbare varer godkjennes for retur.
 - d) Hvis varene godkjennes for retur, må kjøperen returnere varene innen 10 dager etter at han har mottatt godkjennelse på retur.
 - e) Retur av varer kan kun finne sted når godkjennelse fra Villeroy & Boch Norge AS foreligger. Returomkostninger fratrekkes med 40% i kreditnota. Fraktomkostninger belastes kjøper.
3. Villeroy & Boch Norge AS har levert feil type varer:
- a) Kjøperen må sende meddelelse om feilen innen 15 dager etter mottagelsen av varene.
 - b) Varene må være pakket i original emballasje, og være i salgbar stand.
 - c) Vi ber om at retur av varen ikke skjer før svar fra Villeroy & Boch Norge AS foreligger. Kontakt Villeroy & Boch Norge AS' ordrekontor.

NB! Returpapirer skal alltid inneholde riktig NRF-nr./art.nr., kundens bestillingsnummer, kundens og Villeroy & Boch Norge AS' returnr. samt årsak til retur. Dette er viktig.

Hvis returpapirer mangler noen av disse opplysningene, blir varen returnert til kundens adresse på dennes transportregning uten forvarsel.

C. Mottagelse av beskadigede varer.

Definisjon:

Ved mottagelse av varene oppdager kjøperen at disse er beskadiget.

1. NB! Når det gjelder transportskade forårsaket av vår transportør, skal fraktbrev med under skrift av sjåfør på bil der varen ble skadet alltid følge med som vedlegg til krav om erstatning eller kreditt, samt kundens bestillingsnummer.
2. Meddelelse om skaden blir sendt straks etter mottagelse av varene. Reklamasjoner som blir inngitt mer enn 15 dager etter levering, kan under ingen omstendigheter aksepteres.
3. Beskadigede varer inklusive emballasje må være tilgjengelig for destruksjon av representant fra Villeroy & Boch Norge AS.
4. Varene kan ikke returneres eller kasseres før godkjennelse er innhentet fra Villeroy & Boch Norge AS.



RETNINGSLINJER FOR KUNDEREKLAMASJONER VILLEROY & BOCH NORGE AS

D. Kvalitetsreklamasjoner.

Definisjon:

Kjøperen meddeler Villeroy & Boch Norge AS at han har kvalitetsproblemer med et produkt.

Behandling:

Kjøperen må umiddelbart underrette Villeroy & Boch Norge AS om kvalitetsproblemene.

Reklamasjonen må i alle tilfelle tydelig spesifisere mangelens art og omfang. Det må også oppgis for hvilket formål produktet er anskaffet. En prøve på produktet som er gjenstand for klage - skal om mulig medfølge den skriftlige reklamasjonen. Kjøperen må heller ikke i dette tilfellet returnere eller kassere varer før Villeroy & Boch Norge AS har gitt instruks om dette. Når en teknisk analyse av det defekte produktet er nødvendig, må denne utføres av en kvalifisert person. I enkelte tilfelle vil dette si at produktet må oversendes Villeroy & Boch Norge AS. NB! Gustavsberg (Vårgårda) og Dornbracht-armaturprodukter skal alltid returneres Villeroy & Boch Norge AS.

Villeroy & Boch Norge AS vil bestrebe seg på å behandle reklamasjoner så raskt som mulig. Hvis reklamasjonen godkjennes, vil Villeroy & Boch Norge AS kreditere kjøperen for det returnerte kvantum til opprinnelig verdi. Vi ber Dem spesielt legge merke til at Villeroy & Boch Norge AS kun forplikter seg til å erstatte det kvantum som har vist seg beheftet med feil. Villeroy & Boch Norge AS er ikke ansvarlig for noen som helst beskadigelse, tap eller skade, direkte eller indirekte, som følge av feil bruk av produktet.

NB!

Ved reklamasjon som skyldes produktfeil og mangler påført av Villeroy & Boch Norge AS, vennligst ta kontakt med serviceansvarlig hos Villeroy & Boch Norge AS, pr. telefon 67 97 82 50 eller 67 97 82 55 (direkte), pr. e-post dagfinn.braathen@gustavsberg.com eller pr. telefaks 67 97 16 57, eller distriktsrepresentant.

Faktura for utført reklamasjonsarbeid/produktreklamasjon på et Gustavsberg/Villeroy & Boch-produkt skal være merket med et nummer oppgitt av serviceansvarlig hos Villeroy & Boch Norge AS, samt kundens returnnummer.

NB!

Arbeid som skal gjøres ved reklamasjon må alltid godkjennes av serviceansvarlig i Villeroy & Boch Norge AS, Dagfinn Bråthen tlf.: 67 97 82 55/419 26 549.

E-post: dagfinn.brathen@gustavsberg.com. Eller distrikstansvarlig.

Det utarbeides en CRM på arbeidet som sendes til den som utfører arbeidet.

Kopi av CRM legges ved arbeids

SMARTE SYMBOLER FOR SMARTE LØSNINGER

STILLE PÅFYLLING OG TØRT



DEN HELDEKKEDE SISTEREN SKJULER EN SEPARAT INNERTANK. DETTE VIRKER LYDDEMPENDE OG FORHINDRER KONDENS. "SÅ STØV IKKE FÅR FESTE."

INGEN SMUSSFELLER



PÅ ALLE NAUTIC KLOSETTER MED SYNLIG SISTERNE ER SKJØTEN MELLOM SKÅL OG SISTERNE FLYTTET OPP. DEN GLATTE PORSELENSKAPPEN HINDRER AT SMUSS SAMLER SEG OG LETTER RENGJØRINGEN.

CERAMICPLUS = C+



MANGE AV PRODUKTENE VÅRE KAN LEVERES MED OVERFLATEBEHANDLINGEN C+. DEN GIR PORSELENET EN SMUSSAVVISENDE OVERFLATE SOM HINDRER KALK OG SMUSS I Å FESTE SEG. C+ ER OGSÅ BRA FOR MILJØET, ETtersom DEN GJØR AT DU KLARER DEG MED MINDRE OG MILDERE VASKEMIDDEL VED RENGJØRING.

QUICK RELEASE



MED QUICK RELEASE KAN DU LØFTE AV TOALETSETET MED ET ENKELT HÅNDGREP. UTEN Å MÅTTE BRUKE VERKTØY. DERMED KAN DU RENGJØRE SETET OG KLOSETTET HVOR FOR SEG. NOE SOM ER BÅDE ENKLERE OG MER HYGIENISK.

SOFT CLOSE



HARDE, EKSKLUSIVE TOALETSETER HAR TIDLIGERE VÆRT FORBUNDET MED HØYT LYDNIVÅ NÅR DE LEGGES NED. SOFT CLOSE-FUNKSJONEN HAR LØST DETTE PROBLEMET VED HJELP AV EN DEMPER SOM ER INNEBYGD I SETET OG GJØR AT DET LEGGES NED MYKT OG LYDLØST. DEMPEREN HAR INGEN DIREKTE KONTAKT MED PORSELENET, NOE SOM GJØR RENGJØRINGEN ENKLERE OG SETET MER HYGIENISK.

HYGIENIC FLUSH



SMARTERE SPYLING SOM GIR BEDRE HYGIENE OG FORENKLER RENHOLDING. DET INNOVATIVE DESIGNET MED ÅPEN SPYLEKANT OG GLATTE OVERFLATER, ELIMINERER ALLE EVENTUELLE SMUSSFELLER. HYGIENIC FLUSH MINIMERER BEHOVET FOR STERKE RENGJØRINGSMIDLER.

2/4 LITERS SPYLING



NOEN AV VÅRE KLOSETTER KAN BESTILLES MED LAV SPYLEKNAPP SOM ER INNSTILT PÅ EN LAVERE SPYLEMENGDE, 2/4 LITER. DETTE SPARER BÅDE VANN OG MILJØ.

M.O.D / URINERINGSAVSTAND



KLOSETTETS FREMRE KANT ER SPESELT UTFORMET FOR Å GI EKSTRA AVSTAND VED SITTINGEN URINERING. DEN ØKTE AVSTANDEN HINDRER SØL OG UHYGIENISK BERØRING AV PORSELENET. SMART PRODUKTUTVIKLING SOM GIR BEDRE HYGIENE OG ØKT KOMFORT.

M.O.D. = MALE ORGAN DISTANCE

VIPP-IN



UNDERKANTEN PÅ DUSJHJØRNET, DER DØREN MØTER GULVPROFILIEN, ER VANLIGVIS VANSKELIG Å HOLDE REN. MED VIPP-IN-FUNKSJONEN ER DET ENKLT Å LØSE DUSJØRENE FRA GULVPROFILIEN FOR MER EFFEKTIV RENGJØRING OG BEDRE HYGIENE.

HENGSLER MED HEVE- OG SENKEMEKANISME



HENGSLER MED HEVE- OG SENKEMEKANISME ER EN SMART DETALJ SOM HEVER DUSJØREN 5 MM HVER GANG DU ÅPNER OG LUKKER DEN. DERMED REDUSERES SLITASJE PÅ GULV OG DUSJØRER TIL ET MINIMUM. EN PRAKTISK FUNKSJON SOM GIR EN EKSKLUSIV, LUKSURIØS FØLELSE.

CLEAR GLASS



DUSJVEGER UTSETTES STADIG FOR VANN, SÅPE, OLJER, SJAMPO OG KALK. DERFOR ER ALLE DUSJENE FRA GUSTAVSBERG UTSTYRT MED CLEAR GLASS. EN BESKYTTENDE OVERFLATE SOM FORENKLER RENGJØRINGEN OG REDUSERER BEHOVET FOR VASKEMIDLER.

MØBLER MED SOFT CLOSE



AKUSTIKKEN PÅ ET BADEROM KAN FØRE TIL AT PLUTSELIGE, HØYE LYDER OPPLEVES SOM SÆRLIG FORSTYRENDE. MED SOFT CLOSE STENGES SKAPDØRER OG SKUFFER MYKT OG LYDLØST.

ECO-TAP / ENERGISPARING



EN REVOLUSJONERENDE ENERGIBESPARENDE FUNKSJON SOM KAN REDUSERE FORBRUKET MED 50 PROSENT. DEN ENKLE LØSNINGEN LIGGER I AT SPAKEN AKTIVT MÅ FØRES HELT UT TIL VENSTRE FOR AT VANNET SKAL OPPNÅ MAKSIMUMSTEMPERATUR. NÅR DU SLIPPER SPAKEN, GÅR DEN TILBAKE TIL DET FORHÅNDSINNSTILTE KOMFORTTRINNET MED EN TEMPERATUR PÅ OMKRING 38 TIL 40 GRADER. KOMFORTTEMPERATUREN ER FULLSTENDIG REGULERBAR FOR INDIVIDUELL TILPASNING.

ECO-TAP / VANNSPARING



BLANDEBATTERIET HJELPER DEG Å UNNGÅ Å BRUKE MER VANN ENN NØDVENDIG. NORMALSTILLINGEN GIR EN FORHÅNDSINNSTILT KOMFORTGJENNOMSTRØMNING SOM ER TILSTREKkelig TIL FOR EKSEMPEL OPPVASK OG VASK AV HENDER. FULL VANNGJENNOMSTRØMNING OPPNÅS VED Å LØFTE SPAKEN TIL DEN ØVERSTE STILLINGEN. NÅR DU SLIPPER SPAKEN, GÅR DEN AUTOMATISK TILBAKE TIL KOMFORTGJENNOMSTRØMNINGEN. FUNKSJONEN FOR GJENNOMSTRØMNING ER FULLSTENDIG REGULERBAR FOR INDIVIDUELL TILPASNING.

ECO-START



ET ENERGIBESPARENDE BLANDEBATTERI SOM STARTER PÅ EN TEMPERATUR PÅ 17 GRADER I NORMALSTILLING (SPAKEN RETT FREM). NOE SOM GJØR AT DU SPARER BÅDE ENERGI OG PENGER.

BERØRINGSFRITT BLANDEBATTERI



DEN SMARTE SENSORTEKNOLOGIEN HJELPER DEG Å SPARE VANN OG ENERGI HELT AUTOMATISK. BLANDEBATTERIET ÅPNER AUTOMATISK NÅR DU HOLDER HENDENE I RIKTIG POSISJON, OG STENGES SÅ SNART DU FJERNER DEM. VED RENGJØRING HOLDER DU FOR FØLEROYET, SÅ DEAKTIVERES BLANDEBATTERIET MIDLERTIDIG. DRIVES AV STANDARD-BATTERI ELLER TRANSFORMATOR.

JEVNT TRYKK



TERMOSTATBATTERIENE HAR INNEBYGD AUTOMATISK SKÅDLINGSBESKYTTELSE OG TEMPERATURFØLER SAMT TYPEGODKJENTE TILBAKESLAGSVENTILER. DERFOR REAGERER DE RASKT PÅ DE TRYKK- OG TEMPERATURFORANDRINGENE SOM KAN OPPSTÅ I VANNET, OG JEVNER DEM UT.

ANTIBAKTERIELL FARGE



ALLE FARGELAKKERT SPAKER OG VRIDERE PÅ BLANDEBATTERIENE I LOGIC-SERIEN HAR EN ANTIBAKTERIELL OVERFLATEBEHANDLING SOM MOTVIRKER SPREDNING AV BAKTERIER (F.EKS. PNEUMOKOKKET OG MULTIRESISTENTE BAKTERIER), VIRUS OG SOPP. OVERFLATEBEHANDLINGEN HAR EN LANGVARIG OG DOKUMENTERT EFFEKT PÅ MINST FEM ÅR.

SELVREPARERENDE FARGE



MINDRE RIPER SOM OPPSTÅR PÅ FARGELAKKERT SPAKER OG VRIDERE PÅ BLANDEBATTERIENE I LOGIC-SERIEN, FORSVINNER AV SEG SELV TAKKET VÆRE DE UNIKE, SELVREPARERENDE EGENSKAPENE. DEN LAKKERT OVERFLATEBEHANDLINGEN GIR BLANDEBATTERIET LENGRE LEVETID OG REDUSERER RISIKOEN FOR SPREDNING AV BAKTERIER.

SAFE TOUCH



SAMTLIGE TERMOSTATBATTERIER FRA GUSTAVSBERG HAR EN SAFE TOUCH FUNKSJON. DETTE INNEBÆRER AT BLANDEBATTERIENE ER KONSTRUERT SÅ VARMVANNET LEDES LANGS BLANDEBATTERIETS BAKSIDE. DETTE MINIMERER VARMEN PÅ TERMOSTATENS FRAMSIDE, OG MINSKER RISIKOEN FOR Å BRENNE SEG.

BLYFRITT



BLANDEBATTERIENE ER PRODUSERT I ET MATERIALE SOM GIR MINDRE ENN 0,1% BLY AV TOTALVEKTEN. MILJØSMARTE BLANDEBATTERIER SOM OPPFYLLER TØFFE KRAV NÅR DET GJELDER FOREKOMSTEN AV BLY. BLANDEBATTERIENE ER DISKRET LASERMERKET MED SYMBOLET PÅ BAKSIDEN FOR SPORBARHET.

GLAZEPLUS



BADEKARENE VÅRE KAN LEVERES MED EN EKSTRA OVERFLATEBEHANDLING SOM VI KALLER GLAZEPLUS. EN KRSTALLKLAR POLYMERFILM SOM BESKYTTER OVERFLATEN PÅ BADEKARET MOT SMUSS OG KALKAVLEIRINGER, NOE SOM FORENKLER RENGJØRINGEN OG REDUSERER BEHOVET FOR VASKEMIDLER.

ANTISKLI



BADEKARET KAN LEVERES MED EN ANTISKLIBEHANDLING DER KVARTSÅND ER BRENT INN I EMALJEN I ET ESTETISK, MOTRYTAL MONSTER. OVERFLATEN REDUSERER RISIKOEN FOR FALL/UTRYKKER VED INN- OG UTSTIGNING. DEN ER PLASSERT I FOTENDEN AV BADEKARET. SLIK AT BADEOPPLEVELSEN IKKE PÅVIRKES NEGATIVT.

STØTTEHÅNDTAK



BADEKARET KAN BESTILLES MED EGNE STØTTEHÅNDTAK PÅ BADEKARKANTEN, SOM FORENKLER OG ØKER SIKKERHETEN VED INN- OG UTSTIGNING.







A MEMBER OF THE
VILLEROY & BOCH GROUP

Villeroy & Boch Norge A/S
Luhrtoppen 2, 1470 Lørenskog
Tlf. 67 97 82 50
www.gustavsberg.no · norway.info@villeroy-boch.com